

2.4

- Portafrese combinati
Combined milling cutter chucks

2.5

- Portafrese a manicotto
Face milling cutter chucks

2.7

- Portafrese a manicotto
Face milling cutter chucks

2.8

- Portafrese weldon
Milling cutter chucks Weldon

2.9

- Portafrese weldon
Milling cutter chucks Weldon

2.11

- Portafrese weldon
Milling cutter chucks Weldon

2.13

- Portafrese per calettamento
Shrink chucks

2.14

- Portafrese per calettamento
Shrink chucks

2.15

- Mandrini idraulici
hydraulic clamping chucks

2.16

- Mandrini idraulici
hydraulic clamping chucks

2.17

- Mandrini portatestine filettate
Chucks for threaded heads

2.18

- Mandrini portamorsetti
Taper shafts for drill chucks

2.19

- Mandrini portapunte
Integral drill chucks

2.20

- Riduzioni cono ISO a ISO
Adaptors ISO cone to ISO

2.21

- Riduzioni cono ISO a ISO
Adaptors ISO cone to ISO

2.22

- Riduzioni per PRESETTING
PRESETTING reduction

2.22

- Riduzioni per PRESETTING
PRESETTING reduction

2.23

- Portafrese a cono Morse
Milling cutter with Morse cone

2.24

- Portafrese a cono Morse
Milling cutter with Morse cone

2.25

- Portapunte a cono Morse
Drill chucks with Morse cone

2.27

- Barre semifinite
Unfinished taper-shank blanks

2.28

- Mandrini a forte serraggio
Milling chuck

2.29

- Portapinze EOC
Collet chucks EOC

2.29

- Portapinze DELTA
Collet chucks DELTA

2.30

- Portapinze ER DIN 6499
Collet chucks ER DIN 6499

2.32

- Portapinze ER DIN 6499
Collet chucks ER DIN 6499

2.32

- Portapinze ER DIN 6499
Collet chucks ER DIN 6499

2.33

- Portapinze ER DIN 6499
Collet chucks ER DIN 6499

2.33

- Portapinze ER DIN 6499
Collet chucks ER DIN 6499

2.35

- Portaastucci registrabili
Adaptors for adjustable inserts

2.36

- Maschiatori
Tapping chuck

2.39

- Maschiatori
Tapping chuck

2.40

- Cilindri di collaudo
Test arbors

2.41

- VARILOCK
VARILOCK



**ISO DIN 69871
DIN 69871/A-AD
DIN 69871/AD+B**
Attacchi con cono ISO
*Attachments
with ISO cone*

2

 **delta**

2. MANDRINI a cono ISO DIN 69871

TOOL HOLDERS with ISO cone DIN 69871



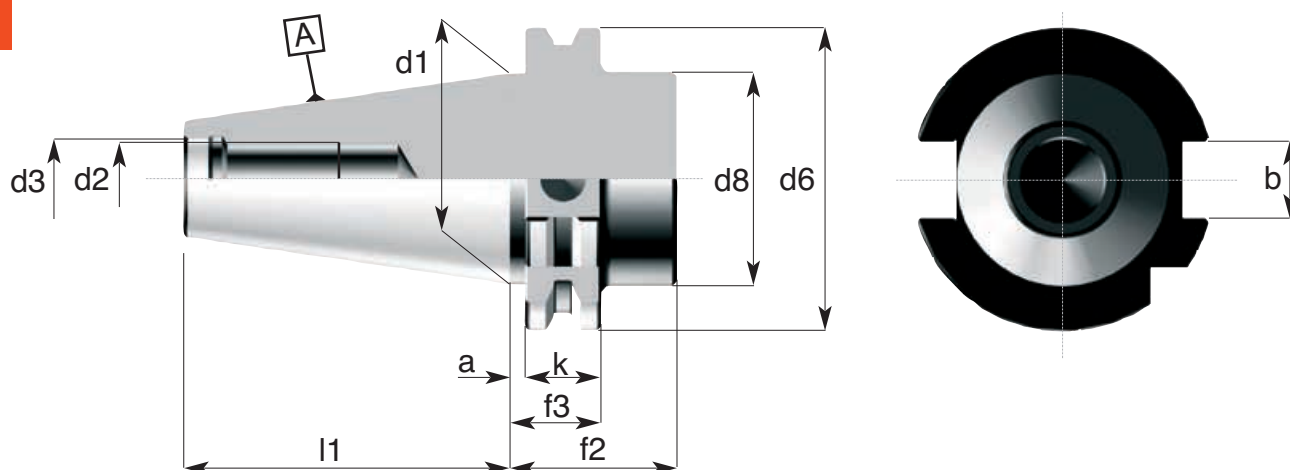
ACCESSORI PER MACCHINE UTENSILI

DIN 69871/A



Attacchi DIN 69871/A

2.



Riferimento Item	a	b H12	d1	d2	d3 H7	d6	d8 max.	f2	f3	l1	k
ISO 30	3.2	16.1	31.75	M12	13	50	45	35	19.1	47.8	15.9
ISO 40	3.2	16.1	44.45	M16	17	63.55	50	35	19.1	68.4	15.9
ISO 45	3.2	19.3	57.15	M20	21	82.55	63	35	19.1	82.7	15.9
ISO 50	3.2	25.7	69.85	M24	25	97.50	80	35	19.1	101.75	15.9

CARATTERISTICHE TECNICHE DEI MANDRINI TC

- Costruiti in acciaio da cementazione legato
- Cementati con profondità 0,8-1mm
Temprati • Rinvenuti • Sabbati e bruniti
- Durezza HRC 58±2 • Resistenza al nucleo 800-1000 N/mm²
- Rettificati di precisione esternamente, internamente e nelle filettature delle ghiere chiudipinza
- Controllati con strumenti di misura certificati
- La tolleranza di precisione dei coni ISO è inferiore ad AT3

STANDARD FEATURES OF TC TOOLING

- Manufactured with Nickel Chrome Molybdenum steel
- Carburized with depth of case 0,8-1 mm
• Hardened and tempered • Black oxidized
- Surface Hardness RC 58±2 • Tensile strenght of core 800-1000 N/mm²
- Precision ground on shanks, inside tapers and collet nut threads
- Tested with high precision inspection and gaging equipment
- Taper accuracy of ISO SHANKS lower than AT3

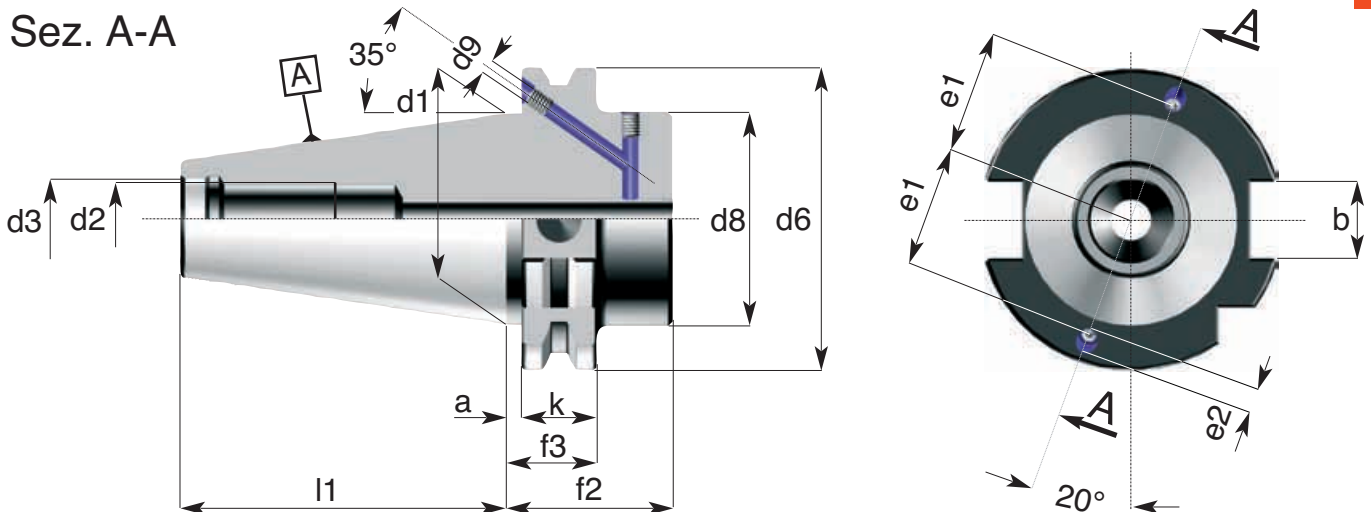


DIN 69871/AD+B

Attacchi DIN 69871/AD+B

2.
3

Sez. A-A



Riferimento Item	a	b H12	d1	d2	d3 H7	d6	d8 max.	f2	f3	l1	k	e1	e2	d9
ISO 30	3.2	16.1	31.75	M12	13	50	45	35	19.1	47.8	15.9	21	5	4
ISO 40	3.2	16.1	44.45	M16	17	63.55	50	35	19.1	68.4	15.9	27	5	4
ISO 45	3.2	19.3	57.15	M20	21	82.55	63	35	19.1	82.7	15.9	35	6	5
ISO 50	3.2	25.7	69.85	M24	25	97.50	80	35	19.1	101.75	15.9	42	7	6

**CARATTERISTICHE TECNICHE
DEI MANDRINI TC**

- Costruiti in acciaio da cementazione legato
- Cementati con profondità 0,8-1mm
Temprati • Rinvenuti • Sabbiati e bruniti
- Durezza HRC 58±2 • Resistenza al nucleo 800-1000 N/mm²
- Rettificati di precisione esternamente, internamente e nelle filettature delle ghiere chiudipinza
- Controllati con strumenti di misura certificati
- La tolleranza di precisione dei coni ISO è inferiore ad AT3

**STANDARD FEATURES
OF TC TOOLING**

- Manufactured with Nickel Chrome Molybdenum steel
- Carburized with depth of case 0,8-1 mm
• Hardened and tempered • Black oxidized
- Surface Hardness RC 58±2 • Tensile strenght of core 800-1000 N/mm²
- Precision ground on shanks, inside tapers and collet nut threads
- Tested with high precision inspection and gaging equipment
- Taper accuracy of ISO SHANKS lower than AT3

2. MANDRINI a cono ISO DIN 69871

TOOL HOLDERS with ISO cone DIN 69871



Portafrese combinati con trascinamento frontale e chiavetta DIN 6358

Combined milling cutter chucks DIN 6358 B

Kombi-Aufsteckfräserdorne DIN 6358 B

Mandrins porte-fraises combinés DIN 6358 B

ACCESSORI PER MACCHINE UTENSILI

DIN 69871/A

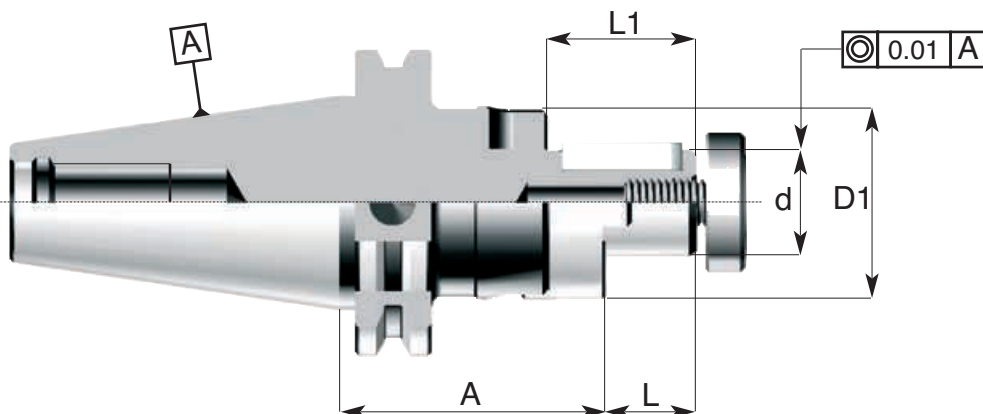
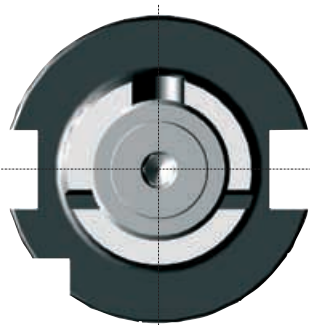


Prebilanciato
Prebalanced
G6.3 / 8000rpm



ART: 001.130

2.
4



Codice di ord Code	SK	d h6	A	L	L1	D1	Trascinatore Ring	Vite Screw	Linguetta Key
001.130.30.0160	SK 30	16	50	17	27	32	190.01	191.01	130.199.01
001.130.30.0220	SK 30	22	50	19	31	40	190.02	191.02	130.199.02
001.130.30.0270	SK 30	27	55	21	33	48	190.03	191.03	130.199.03
001.130.40.0160	SK 40	16	55	17	27	32	190.01	191.01	130.199.01
001.130.40.0162	SK 40	16	90	17	27	32	190.01	191.01	130.199.01
001.130.40.0220	SK 40	22	55	19	31	40	190.02	191.02	130.199.02
001.130.40.0222	SK 40	22	90	19	31	40	190.02	191.02	130.199.02
001.130.40.0270	SK 40	27	55	21	33	48	190.03	191.03	130.199.03
001.130.40.0272	SK 40	27	90	21	33	48	190.03	191.03	130.199.03
001.130.40.0320	SK 40	32	63	24	38	58	190.04	191.04	130.199.04
001.130.40.0322	SK 40	32	90	24	38	58	190.04	191.04	130.199.04
001.130.40.0400	SK 40	40	63	27	41	70	190.05	191.05	130.199.05
001.130.40.0402	SK 40	40	90	27	41	70	190.05	191.05	130.199.05
001.130.45.0160	SK 45	16	55	17	27	32	190.01	191.01	130.199.01
001.130.45.0162	SK 45	16	90	17	27	32	190.01	191.01	130.199.01
001.130.45.0220	SK 45	22	55	19	31	40	190.02	191.02	130.199.02
001.130.45.0222	SK 45	22	90	19	31	40	190.02	191.02	130.199.02
001.130.45.0270	SK 45	27	55	21	33	48	190.03	191.03	130.199.03
001.130.45.0272	SK 45	27	90	21	33	48	190.03	191.03	130.199.03
001.130.45.0320	SK 45	32	63	24	38	58	190.04	191.04	130.199.04
001.130.45.0322	SK 45	32	90	24	38	58	190.04	191.04	130.199.04
001.130.45.0400	SK 45	40	70	27	41	70	190.05	191.05	130.199.05
001.130.45.0402	SK 45	40	90	27	41	70	190.05	191.05	130.199.05
001.130.50.0160	SK 50	16	63	17	27	32	190.01	191.01	130.199.01
001.130.50.0162	SK 50	16	90	17	27	32	190.01	191.01	130.199.01
001.130.50.0220	SK 50	22	63	19	31	40	190.02	191.02	130.199.02
001.130.50.0222	SK 50	22	90	19	31	40	190.02	191.02	130.199.02
001.130.50.0270	SK 50	27	63	21	33	48	190.03	191.03	130.199.03
001.130.50.0272	SK 50	27	90	21	33	48	190.03	191.03	130.199.03
001.130.50.0320	SK 50	32	63	24	38	58	190.04	191.04	130.199.04
001.130.50.0322	SK 50	32	90	24	38	58	190.04	191.04	130.199.04
001.130.50.0400	SK 50	40	63	27	41	70	190.05	191.05	130.199.05
001.130.50.0402	SK 50	40	100	27	41	70	190.05	191.05	130.199.05
001.130.50.0500	SK 50	50	75	30	46	90	190.06	191.06	130.199.06
001.130.50.0502	SK 50	50	100	30	46	90	190.06	191.06	130.199.06

Pag: 12.24



Pag: 12.25



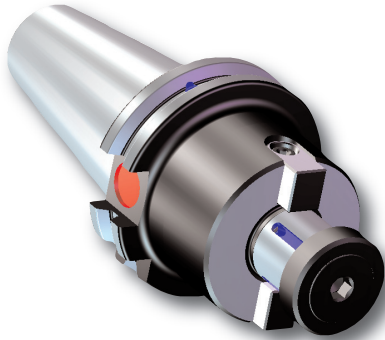
ACCESSORI PER MACCHINE UTENSILI

Portafrese con trascinamento frontale per frese a manicotto DIN 138

Face milling cutter chucks DIN 138

Aufsteckfräserdome DIN 138

Mandrins porte-fraises à surfacer DIN 138

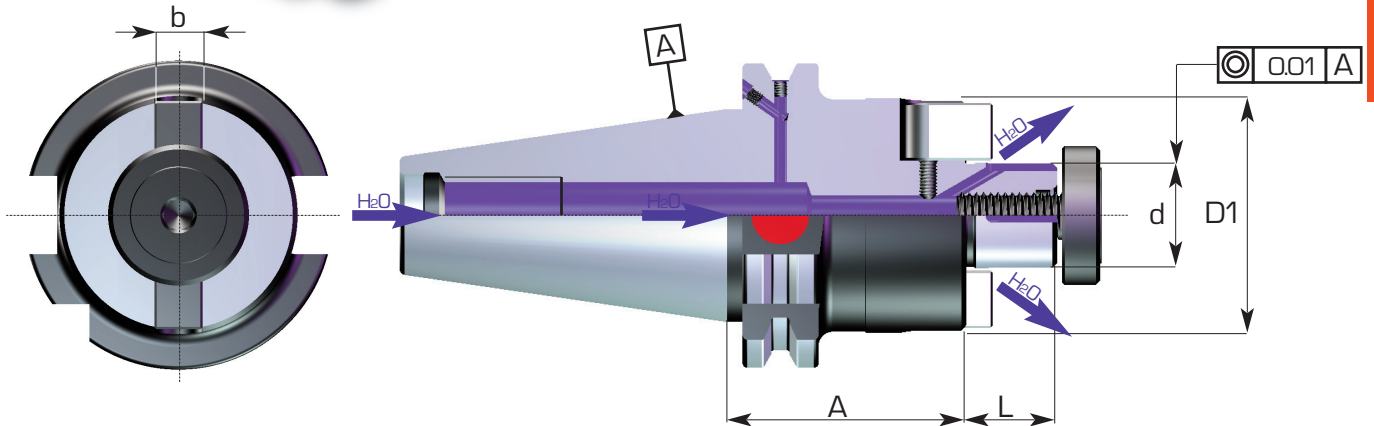


Prebilanciato
Prebalanced
G6.3 / 8000rpm



DIN 69871 / AD

ART: HO1.150



2
5

Codice di ord Code	SK	d h6	A	L	D1	b	Tassello Tenon	Vite Screw
HO1.15040.016.035	SK 40	16	35	17	38	8	151.101	191.01
HO1.15040.016.050	SK 40	16	50	17	38	8	151.101	191.01
HO1.15040.016.090	SK 40	16	90	17	38	8	151.101	191.01
HO1.15040.016.169	SK 40	16	169	17	38	8	151.101	191.01
HO1.15040.022.035	SK 40	22	35	19	49	10	151.102	191.02
HO1.15040.022.050	SK 40	22	50	19	49	10	151.102	191.02
HO1.15040.022.090	SK 40	22	90	19	49	10	151.102	191.02
HO1.15040.022.169	SK 40	22	169	19	49	10	151.102	191.02
HO1.15040.022.219	SK 40	22	219	19	49	10	151.102	191.02
*001.15040.022.269	SK 40	22	269	19	49	10	151.102	191.02
HO1.15040.027.060	SK 40	27	60	21	60	12	151.103	191.03
HO1.15040.027.090	SK 40	27	90	21	60	12	151.103	191.03
HO1.15040.027.169	SK 40	27	169	21	60	12	151.103	191.03
HO1.15040.027.219	SK 40	27	219	21	60	12	151.103	191.03
*001.15040.027.269	SK 40	27	269	21	60	12	151.103	191.03
HO1.15040.032.060	SK 40	32	60	24	64.5	14	151.104	191.04
HO1.15040.032.090	SK 40	32	90	24	64.5	14	151.104	191.04
HO1.15040.040.060	SK 40	40	60	27	74.5	16	151.105.R14	191.05
HO1.15040.040.090	SK 40	40	90	27	75.5	16	151.105.R14	191.05

Pag. 1227



Pag. 1225



* Senza foro assiale
* Without Axial hole

2. MANDRINI a cono ISO DIN 69871
TOOL HOLDERS with ISO cone DIN 69871



Portafrese con trascinamento frontale per frese a manicotto DIN 138

Face milling cutter chucks DIN 138

Aufsteckfräsendorne DIN 138

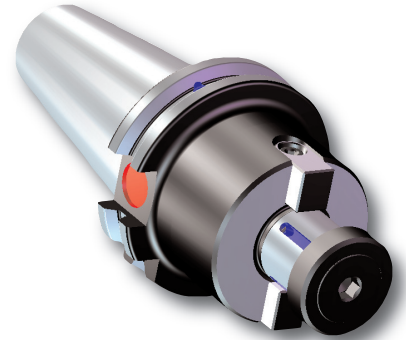
Mandrin porte-fraises à surfaçer DIN 138

ACCESSORI PER MACCHINE UTENSILI

DIN 69871 / A

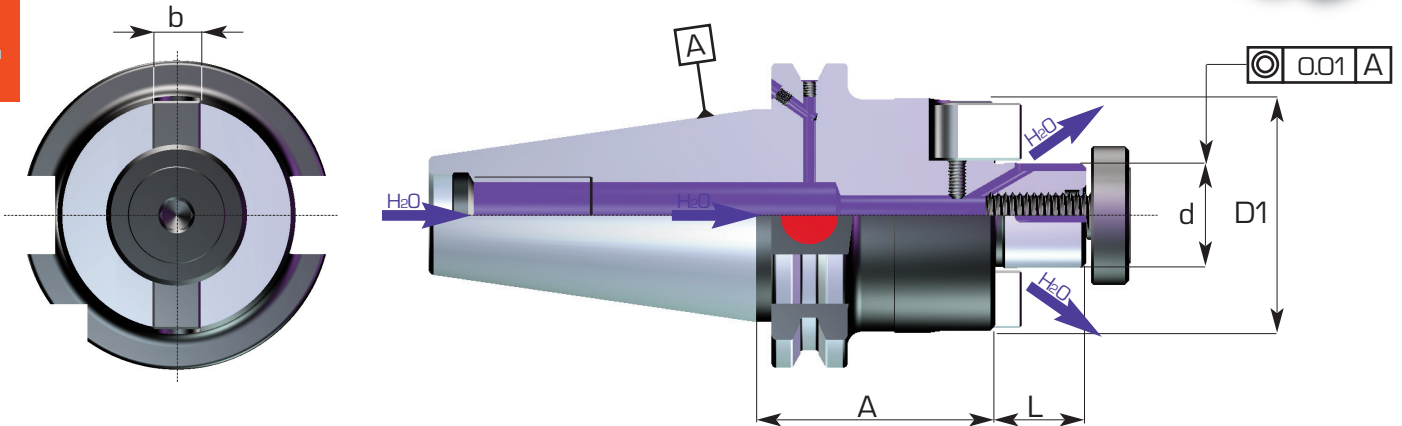


Prebilanciato
Prebalanced
G6.3 / 8000rpm



ART: H01.150

2.
6



Codice di ord Code	SK	d h6	A	L	D1	b	Tassello Tenon	Vite Screw
H01.150.50.016.063	SK 50	16	63	17	38	8	151.101	191.01
H01.150.50.016.100	SK 50	16	100	17	38	8	151.101	191.01
H01.150.50.022.035	SK 50	22	35	19	49	10	151.102	191.02
H01.150.50.022.063	SK 50	22	63	19	49	10	151.102	191.02
H01.150.50.022.100	SK 50	22	100	19	49	10	151.102	191.02
H01.150.50.022.169	SK 50	22	169	19	49	10	151.102	191.02
H01.150.50.022.219	SK 50	22	219	19	49	10	151.102	191.02
*001.150.50.022.269	SK 50	22	269	19	49	10	151.102	191.02
*001.150.50.022.319	SK 50	22	319	19	49	10	151.102	191.02
*001.150.50.022.369	SK 50	22	369	19	49	10	151.102	191.02
*001.150.50.022.419	SK 50	22	419	19	49	10	151.102	191.02
H01.150.50.027.035	SK 50	27	35	21	60	12	151.103	191.03
H01.150.50.027.063	SK 50	27	63	2	60	12	151.103	191.03
H01.150.50.027.100	SK 50	27	100	21	60	12	151.103	191.03
H01.150.50.027.169	SK 50	27	169	21	60	12	151.103	191.03
H01.150.50.027.219	SK 50	27	219	21	60	12	151.103	191.03
001.150.50.027.269	SK 50	27	269	21	60	12	151.103	191.03
001.150.50.027.319	SK 50	27	319	21	60	12	151.103	191.03
001.150.50.027.369	SK 50	27	369	21	60	12	151.103	191.03
001.150.50.027.419	SK 50	27	419	21	60	12	151.103	191.03
H01.150.50.032.035	SK 50	32	35	24	75	14	151.104	191.04
H01.150.50.032.063	SK 50	32	63	24	75	14	151.104	191.04
H01.150.50.032.100	SK 50	32	100	24	75	14	151.104	191.04
H01.150.50.032.169	SK 50	32	169	24	75	14	151.104	191.04
H01.150.50.032.219	SK 50	32	219	24	75	14	151.104	191.04
*001.150.50.032.269	SK 50	32	269	24	75	14	151.104	191.04
H01.150.50.040.063	SK 50	40	63	27	85	16	151.105	191.05
H01.150.50.040.100	SK 50	40	100	27	85	16	151.105	191.05
H01.150.50.040.150	SK 50	40	150	27	85	16	151.105	191.05
H01.150.50.050.063	SK 50	50	63	31	90	18	192.11	191.06
H01.150.50.050.100	SK 50	50	100	31	90	18	192.11	191.06



* Senza foro assiale
* Without Axial hole

2. MANDRINI a cono ISO DIN 69871

TOOL HOLDERS with ISO cone DIN 69871



Portafrese con trascinamento frontale e linguetta DIN 138

Face milling cutter chucks DIN 138

Aufsteckfräserdorne DIN 138

Mandrins porte-fraises à surfacer DIN 138

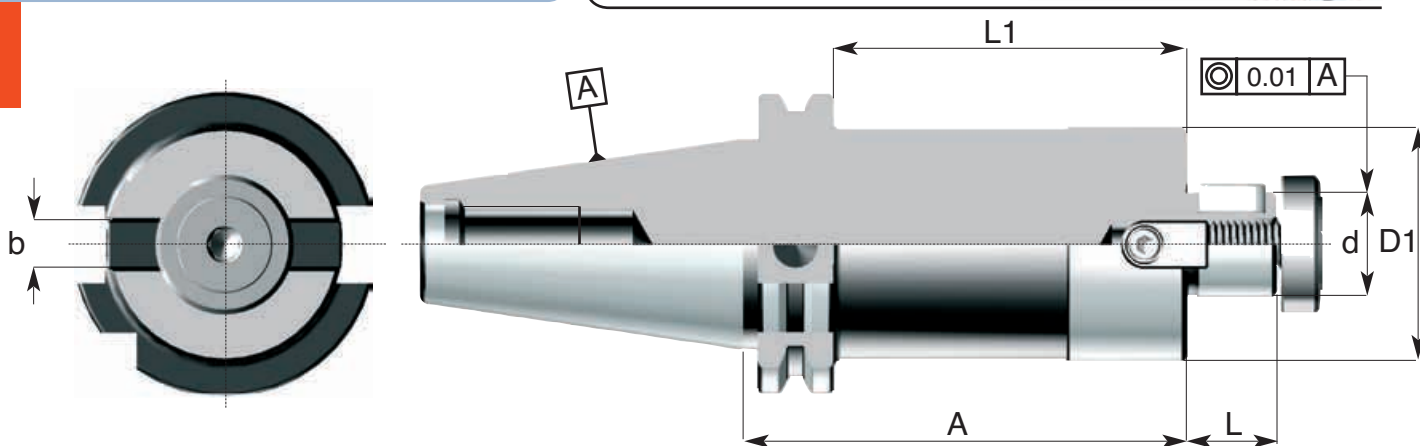
ACCESSORI PER MACCHINE UTENSILI

DIN 69871 / A



Prebilanciato
Prebalanced
G6.3 / 8000rpm

ART: 001.151



Codice di ord Code	SK	d h6	A	L	L1	D1	b	Tassello Tenon	Vite Screw	Linguetta Key
001.151.40.0160	SK 40	16	94	17	75	38	8	151.101	191.01	151.199.01
001.151.40.0162	SK 40	16	119	17	100	38	8	151.101	191.01	151.199.01
001.151.40.0164	SK 40	16	169	17	150	38	8	151.101	191.01	151.199.01
001.151.40.0220	SK 40	22	94	19	75	49	10	151.102	191.02	151.199.02
001.151.40.0222	SK 40	22	119	19	100	49	10	151.102	191.02	151.199.02
001.151.40.0224	SK 40	22	169	19	150	49	10	151.102	191.02	151.199.02
001.151.40.0226	SK 40	22	219	19	200	49	10	151.102	191.02	151.199.02
001.151.40.0227	SK 40	22	269	19	250	49	10	151.102	191.02	151.199.02
001.151.40.0270	SK 40	27	94	21	75	60	12	151.103	191.03	151.199.03
001.151.40.0272	SK 40	27	119	21	100	60	12	151.103	191.03	151.199.03
001.151.40.0274	SK 40	27	169	21	150	60	12	151.103	191.03	151.199.03
001.151.40.0276	SK 40	27	219	21	200	60	12	151.103	191.03	151.199.03
001.151.40.0277	SK 40	27	269	21	250	60	12	151.103	191.03	151.199.03
001.151.50.0220	SK 50	22	119	19	100	49	10	151.102	191.02	151.199.02
001.151.50.0222	SK 50	22	169	19	150	49	10	151.102	191.02	151.199.02
001.151.50.0224	SK 50	22	219	19	200	49	10	151.102	191.02	151.199.02
001.151.50.0225	SK 50	22	269	19	250	49	10	151.102	191.02	151.199.02
001.151.50.0226	SK 50	22	319	19	300	49	10	151.102	191.02	151.199.02
001.151.50.0228	SK 50	22	369	19	350	49	10	151.102	191.02	151.199.02
001.151.50.0229	SK 50	22	419	19	400	49	10	151.102	191.02	151.199.02
001.151.50.0270	SK 50	27	119	21	100	60	12	151.103	191.03	151.199.03
001.151.50.0272	SK 50	27	169	21	150	60	12	151.103	191.03	151.199.03
001.151.50.0274	SK 50	27	219	21	200	60	12	151.103	191.03	151.199.03
001.151.50.0275	SK 50	27	269	21	250	60	12	151.103	191.03	151.199.03
001.151.50.0276	SK 50	27	319	21	300	60	12	151.103	191.03	151.199.03
001.151.50.0278	SK 50	27	369	21	350	60	12	151.103	191.03	151.199.03
001.151.50.0279	SK 50	27	419	21	400	60	12	151.103	191.03	151.199.03
001.151.50.0320	SK 50	32	119	24	100	75	14	151.104	191.04	151.199.04
001.151.50.0322	SK 50	32	169	24	150	75	14	151.104	191.04	151.199.04
001.151.50.0324	SK 50	32	219	24	200	75	14	151.104	191.04	151.199.04
001.151.50.0402	SK 50	40	169	27	150	85	16	151.105	191.05	151.199.05

ARTICOLO DISPONIBILE FINO AD ESAURIMENTO SCORTE.
SOSTITUITO DA H01.150 / 001.150



ACCESSORI PER MACCHINE UTENSILI

Portafrese con trascinamento frontale per frese a manicotto DIN 6357/B

Centering arbors for milling cutters DIN 6357 B

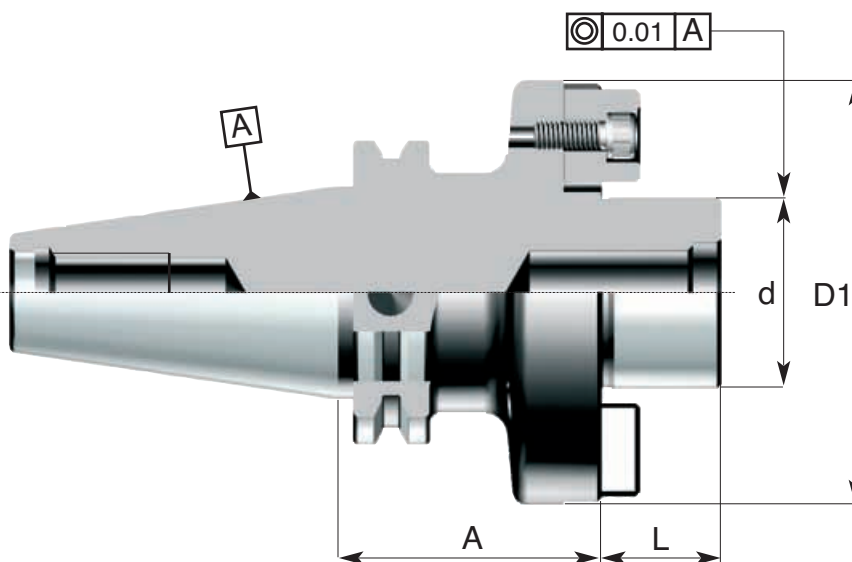
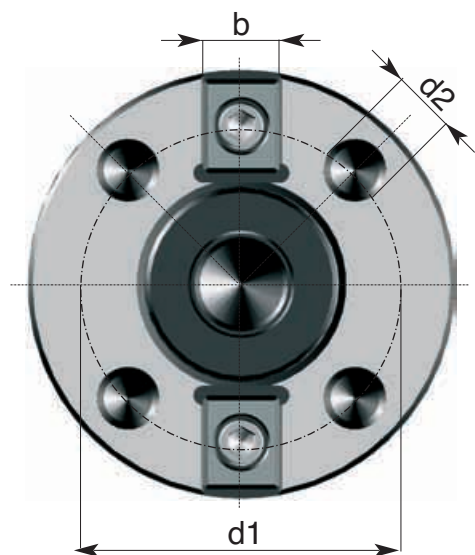
Aufnahmedorne für Messerköpfe DIN 6357 B

Mandrins porte-fraises pour têtes porte-lames DIN 6357 B



DIN 69871 / A

ART: 001.160



2.
7

Codice di ord Code	SK	d h6	A	D1 h6	d1	d2	L	b	Tassello Tenon
001.160.40.0880.40	SK 40	40	55	88.882	66.70	M 12	25	15.9	192.02
001.160.40.1280.60	SK 40	60	55	128.570	101.6	M 16	35	25.4	192.03
001.160.45.0880.40	SK 45	40	55	88.882	66.70	M 12	25	15.9	192.02
001.160.45.1280.60	SK 45	60	60	128.570	101.6	M 16	35	25.4	192.03
001.160.50.0880.40	SK 50	40	60	88.882	66.70	M 12	25	15.9	192.02
001.160.50.1280.60	SK 50	60	60	128.570	101.6	M 16	35	25.4	192.03



2. MANDRINI a cono ISO DIN 69871

TOOL HOLDERS with ISO cone DIN 69871

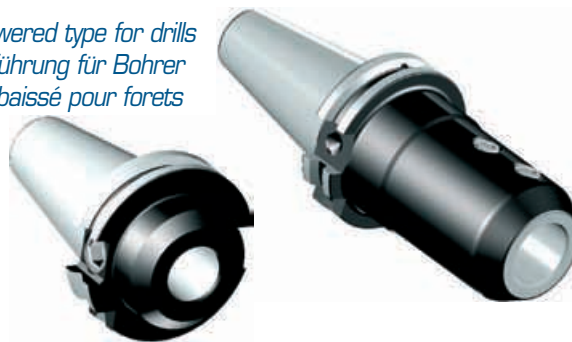


Portafrese cilindriche tipo weldon corto e tipo ribassato per punte

ACCESSORI PER MACCHINE UTENSILI

Milling cutter chucks for straight-shank tools Weldon System - short type and lowered type for drills
Spannfutter Weldon für Zylinderschäfte - kurze Ausführung und verringerte Ausführung für Bohrer
Mandrins porte-Weldon pour fraises à queue cylindrique - type court et type surbaissé pour forets

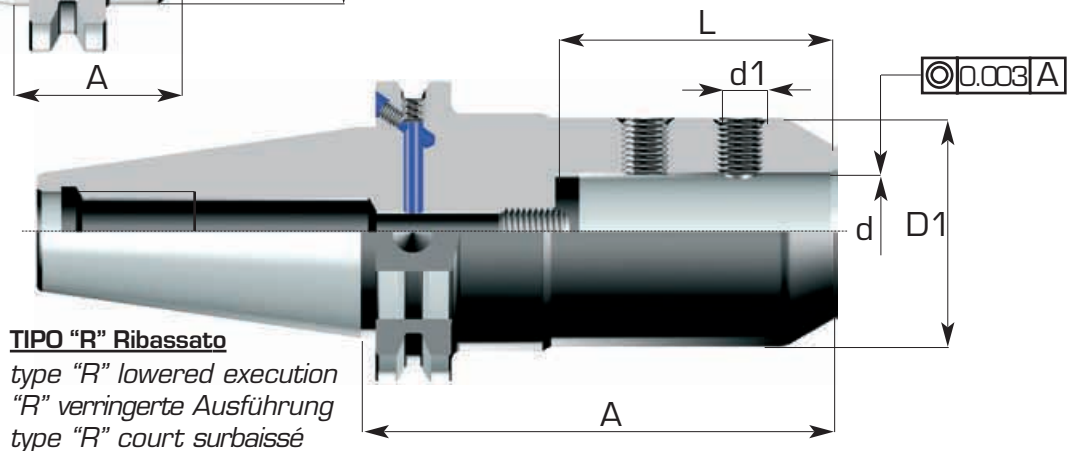
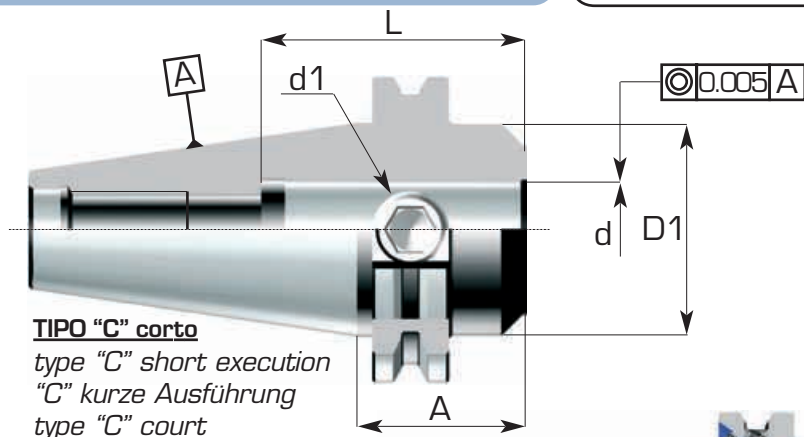
DIN 69871 / AD e AD+B



ART: 001.208.C e H01.208.R

Prebilanciato
Prebalanced
G6.3 / 8000rpm

2.
8.



Codice di ord Code	SK	d H5	A	D1	L	d1	Grano di serraggio Clamping screw
001.208.40.0160.C	SK 40	16	35	44	45	M14X1.5	208.00.0140
001.208.40.0200.C	SK 40	20	35	44	45	M14X1.5	208.00.0140
001.208.40.0250.C	SK 40	25	35	44	55	M14X1.5	208.00.0140
001.208.40.0320.C	SK 40	32	70	72	60	M16X1 - 20X1.5	208.00.0161 - 208.00.0200
001.208.50.0160.C	SK 50	16	35	70	45	M14X1.5	208.00.0140
001.208.50.0200.C	SK 50	20	35	70	45	M16X1.5	208.00.0160
001.208.50.0250.C	SK 50	25	35	70	55	M18X1.5	208.00.0180
001.208.50.0320.C	SK 50	32	35	70	60	M20X1.5	208.00.0200
H01.208.40.0250.R	SK 40	25	100	45	59	M10X1	208.00.0100.R
H01.208.40.0320.R	SK 40	32	80	52	63	M12X1	208.00.0120.R
H01.208.40.0400.R	SK 40	40	80	63	73	M16X1	208.00.0160.R
H01.208.50.0320.R	SK 50	32	90	52	63	M12X1	208.00.0120.R
H01.208.50.0400.R	SK 50	40	90	65	73	M16X1	208.00.0160.R



ACCESSORI PER MACCHINE UTENSILI

Portafrese cilindriche tipo weldon con vite di registrazione interna DIN 6359 B
 Milling cutter chucks for straight-shank tools - Weldon System DIN 6359 B
 Spannfutter Weldon für Zylinderschäfte DIN 6359 B
 Mandrins porte-Weldon pour fraises à queue cylindrique DIN 6359 B

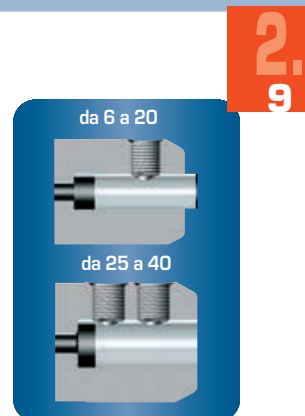
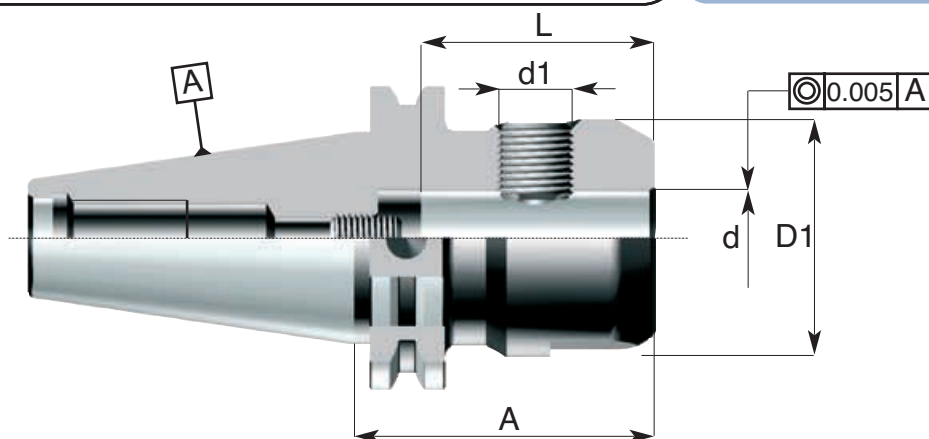


Prebilanciato
Prebalanced
G6.3 / 8000rpm



DIN 69871 / AD

ART: 001.208



2.
9

Codice di ord Code	SK	d H5	A	D1	L	d1	Grano di serraggio Clamping screw
001.208.30.0060	SK 30	6	55	25	35	M6X10	208.00.0060
001.208.30.0080	SK 30	8	55	28	35	M8X10	208.00.0080
001.208.30.0100	SK 30	10	55	35	39	M10MX12	208.00.0100
001.208.30.0120	SK 30	12	55	42	44	M12X1.5X16	208.00.0120
001.208.30.0160	SK 30	16	60	48	47	M14X1.5X16	208.00.0140
001.208.30.0200	SK 30	20	60	52	49	M16X1.5X16	208.00.0160
001.208.40.0060	SK 40	6	50	25	35	M6X10	208.00.0060
001.208.40.0080	SK 40	8	50	28	35	M8X10	208.00.0080
001.208.40.0100	SK 40	10	50	35	39	M10X12	208.00.0100
001.208.40.0120	SK 40	12	50	42	44	M12X1.5X16	208.00.0120
001.208.40.0140	SK 40	14	63	44	44	M12X1.5X16	288.00.0120
001.208.40.0160	SK 40	16	63	48	47	M14X1.5X16	208.00.0140
001.208.40.0180	SK 40	18	63	50	47	M14X1.5X16	288.00.0140
001.208.40.0200	SK 40	20	63	52	49	M16X1.5X16	208.00.0160
001.208.40.0250	SK 40	25	85	65	54	M18X1.5X20	208.00.0180
001.208.40.0320	SK 40	32	85	72	58	M20X1.5X20	208.00.0200
001.208.40.0400	SK 40	40	115	80	68	M20X1.5X20	208.00.0200
001.208.50.0060	SK 50	6	63	25	35	M6X10	208.00.0060
001.208.50.0080	SK 50	8	63	28	35	M8X10	208.00.0080
001.208.50.0100	SK 50	10	63	35	39	M10X12	208.00.0100
001.208.50.0120	SK 50	12	63	42	44	M12X1.5X16	208.00.0120
001.208.50.0140	SK 50	14	63	44	44	M12X1.5X16	208.00.0120
001.208.50.0160	SK 50	16	63	48	47	M14X1.5X16	208.00.0140
001.208.50.0180	SK 50	18	63	50	47	M14X1.5X16	208.00.0140
001.208.50.0200	SK 50	20	63	52	49	M16X1.5X16	208.00.0160
001.208.50.0250	SK 50	25	85	65	54	M18X1.5X20	208.00.0180
001.208.50.0320	SK 50	32	85	72	58	M20X1.5X20	208.00.0200
001.208.50.0400	SK 50	40	100	80	68	M20X1.5X20	208.00.0200
001.208.50.0500	SK 50	50	105	90	78	M24X2X20	208.00.0240



2. MANDRINI a cono ISO DIN 69871

TOOL HOLDERS with ISO cone DIN 69871



Portafrese cilindriche tipo weldon con vite di registrazione interna DIN 6359 B

Milling cutter chucks for straight-shank tools - Weldon System DIN 6359 B

Spannfutter Weldon für Zylinderschäfte DIN 6359 B

Mandrins porte-Weldon pour fraises à queue cylindrique DIN 6359 B

ACCESSORI PER MACCHINE UTENSILI

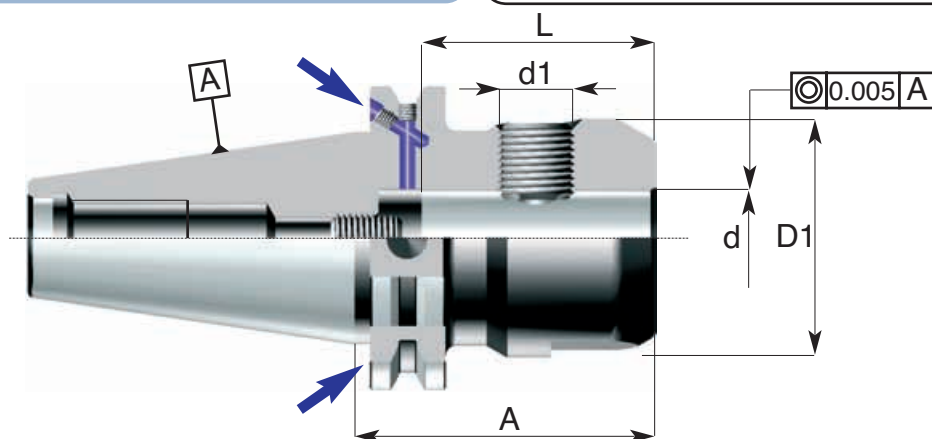
DIN 69871/AD+B



Prebilanciato
Prebalanced
G6.3 / 8000rpm



ART: 001.208



Codice di ord Code	SK	d H5	A	D1	L	d1	Grano di serraggio Clamping screw
H01.208.40.0060	SK 40	6	50	25	35	M6X10	208.00.0060
H01.208.40.0080	SK 40	8	50	28	35	M8X10	208.00.0080
H01.208.40.0100	SK 40	10	50	35	39	M10X12	208.00.0100
H01.208.40.0120	SK 40	12	50	42	44	M12X1,5X16	208.00.0120
H01.208.40.0140	SK 40	14	63	44	44	M12X1,5X16	208.00.0120
H01.208.40.0160	SK 40	16	63	48	47	M14X1,5X16	208.00.0140
H01.208.40.0180	SK 40	18	63	50	47	M14X1,5X16	208.00.0160
H01.208.40.0200	SK 40	20	63	52	49	M16X1,5X16	208.00.0160
H01.208.40.0250	SK 40	25	85	65	54	M18X1,5X20	208.00.0180
H01.208.40.0320	SK 40	32	85	72	58	M20X1,5X20	208.00.0200
H01.208.40.0400	SK 40	40	115	80	68	M20X1,5X20	208.00.0200
H01.208.45.0060	SK 45	6	60	25	35	M6X10	208.00.0060
H01.208.45.0080	SK 45	8	60	28	35	M8X10	208.00.0080
H01.208.45.0100	SK 45	10	65	35	39	M10X12	208.00.0100
H01.208.45.0120	SK 45	12	63	42	44	M12X1,5X16	208.00.0120
H01.208.45.0160	SK 45	16	65	48	47	M14X1,5X16	208.00.0140
H01.208.45.0200	SK 45	20	65	52	49	M16X1,5X16	208.00.0160
H01.208.45.0250	SK 45	25	85	65	54	M18X1,5X20	208.00.0180
H01.208.45.0320	SK 45	32	85	72	58	M20X1,5X20	208.00.0200
H01.208.45.0400	SK 45	40	115	80	68	M20X1,5X20	208.00.0240
H01.208.50.0060	SK 50	6	63	25	35	M6X10	208.00.0060
H01.208.50.0080	SK 50	8	63	28	35	M8X10	208.00.0080
H01.208.50.0100	SK 50	10	63	35	39	M10X12	208.00.0100
H01.208.50.0120	SK 50	12	63	42	44	M12X1,5X16	208.00.0120
H01.208.50.0140	SK 50	14	63	44	44	M12X1,5X16	208.00.0120
H01.208.50.0160	SK 50	16	63	48	47	M14X1,5X16	208.00.0140
H01.208.50.0180	SK 50	16	63	50	47	M14X1,5X16	208.00.0160
H01.208.50.0200	SK 50	20	63	52	49	M16X1,5X16	208.00.0160
H01.208.50.0250	SK 50	25	85	65	54	M18X1,5X20	208.00.0180
H01.208.50.0320	SK 50	32	85	72	58	M20X1,5X20	208.00.0200
H01.208.50.0400	SK 50	40	100	80	68	M20X1,5X20	208.00.0200
H01.208.50.0500	SK 50	50	105	90	78	M24X2X20	208.00.0240



ACCESSORI PER MACCHINE UTENSILI



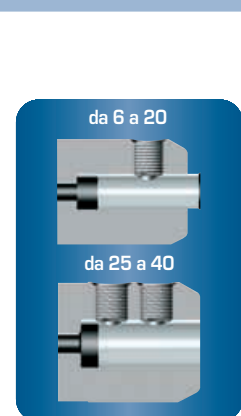
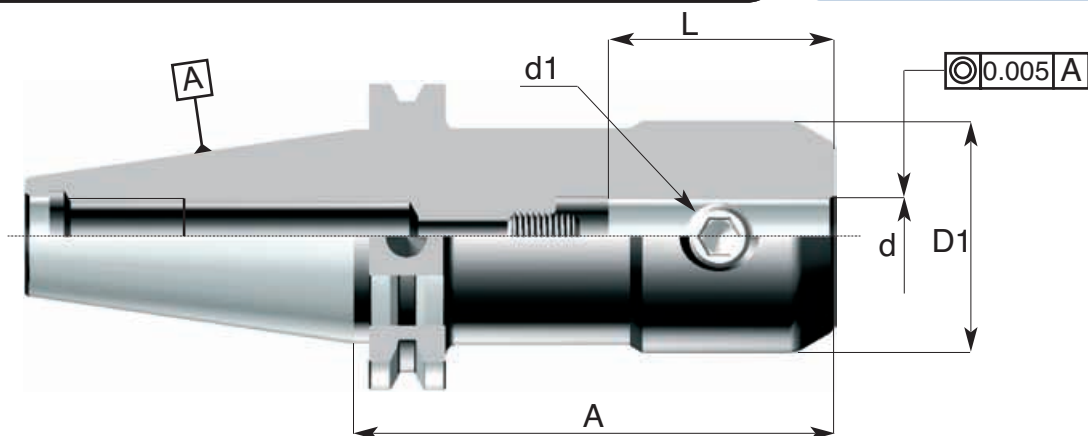
Portafrese cilindriche tipo weldon tipo prolungati DIN 6359 B
 Milling cutter chucks for straight-shank tools Weldon System DIN 6359 B
 Spannfutter Weldon für Zylinderschäfte DIN 6359 B
 Mandrins porte-Weldon pour fraises à queue cylindrique DIN 6359 B

Prebilanciato
 Prebalanced
 G6.3 / 8000rpm



DIN 69871 / AD

ART: 001.208



2.
11

Codice di ord Code	SK	d H5	A	D1	L	d1	Grano di serraggio Clamping screw
001.208.40.0062	SK 40	6	100	25	35	M6X10	208.00.0060
001.208.40.0064	SK 40	6	150	25	35	M6X10	208.00.0060
001.208.40.0082	SK 40	8	100	28	35	M8X10	208.00.0080
001.208.40.0084	SK 40	8	150	28	35	M8X10	208.00.0080
001.208.40.0102	SK 40	10	100	35	39	M10X12	288.00.0100
001.208.40.0104	SK 40	10	150	35	39	M10X12	208.00.0100
001.208.40.0122	SK 40	12	100	42	44	M12X1.5X16	288.00.0120
001.208.40.0124	SK 40	12	150	42	44	M12X1.5X16	208.00.0120
001.208.40.0142	SK 40	14	100	44	44	M12X1.5X16	208.00.0120
001.208.40.0144	SK 40	14	150	44	44	M12X1.5X16	208.00.0120
001.208.40.0162	SK 40	16	100	48	47	M14X1.5X16	208.00.0140
001.208.40.0164	SK 40	16	150	48	47	M14X1.5X16	208.00.0140
001.208.40.0182	SK 40	18	100	50	47	M14X1.5X16	208.00.0140
001.208.40.0184	SK 40	18	150	50	47	M14X1.5X16	208.00.0140
001.208.40.0202	SK 40	20	100	52	49	M16X1.5X16	208.00.0180
001.208.40.0204	SK 40	20	150	52	49	M16X1.5X16	208.00.0180
001.208.40.0254	SK 40	25	150	65	54	M18X1.5X20	208.00.0180
001.208.40.0324	SK 40	32	150	72	58	M20X1.5X20	208.00.0200
001.208.50.0062	SK 50	6	100	25	35	M6X10	208.00.0060
001.208.50.0064	SK 50	6	150	25	35	M6X10	208.00.0060
001.208.50.0082	SK 50	8	100	28	35	M8X10	208.00.0080
001.208.50.0084	SK 50	8	150	28	35	M8X10	208.00.0080
001.208.50.0102	SK 50	10	100	35	39	M10X12	288.00.0100
001.208.50.0104	SK 50	10	150	35	39	M10X12	208.00.0100
001.208.50.0122	SK 50	12	100	42	44	M12X1.5X16	288.00.0120
001.208.50.0124	SK 50	12	150	42	44	M12X1.5X16	208.00.0120
001.208.50.0142	SK 50	14	100	44	44	M12X1.5X16	208.00.0120
001.208.50.0144	SK 50	14	150	44	44	M12X1.5X16	208.00.0120
001.208.50.0162	SK 50	16	100	48	47	M14X1.5X16	208.00.0140
001.208.50.0164	SK 50	16	150	48	47	M14X1.5X16	208.00.0140
001.208.50.0182	SK 50	18	100	50	47	M14X1.5X16	208.00.0140
001.208.50.0184	SK 50	18	150	50	47	M14X1.5X16	208.00.0140
001.208.50.0202	SK 50	20	100	52	49	M16X1.5X16	208.00.0160
001.208.50.0204	SK 50	20	150	52	49	M16X1.5X16	208.00.0160
001.208.50.0252	SK 50	25	100	65	54	M18X1.5X20	208.00.0180
001.208.50.0254	SK 50	25	150	65	54	M18X1.5X20	208.00.0180
001.208.50.0324	SK 50	32	150	72	58	M20X1.5X20	208.00.0200
001.208.50.0404	SK 50	40	150	80	68	M20X1.5X20	208.00.0200



2. MANDRINI a cono ISO DIN 69871

TOOL HOLDERS with ISO cone DIN 69871



Portafrese cilindriche tipo weldon con vite di registrazione interna DIN 6359 B
 Milling cutter chucks for straight-shank tools - Weldon System DIN 6359 B
 Spannfutter Weldon für Zylinderschäfte DIN 6359 B
 Mandrins porte-Weldon pour fraises à queue cylindrique DIN 6359 B

ACCESSORI PER MACCHINE UTENSILI

DIN 69871/AD+B

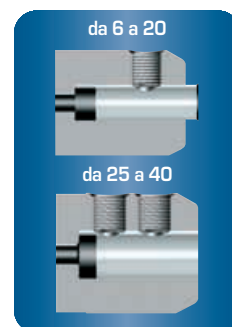
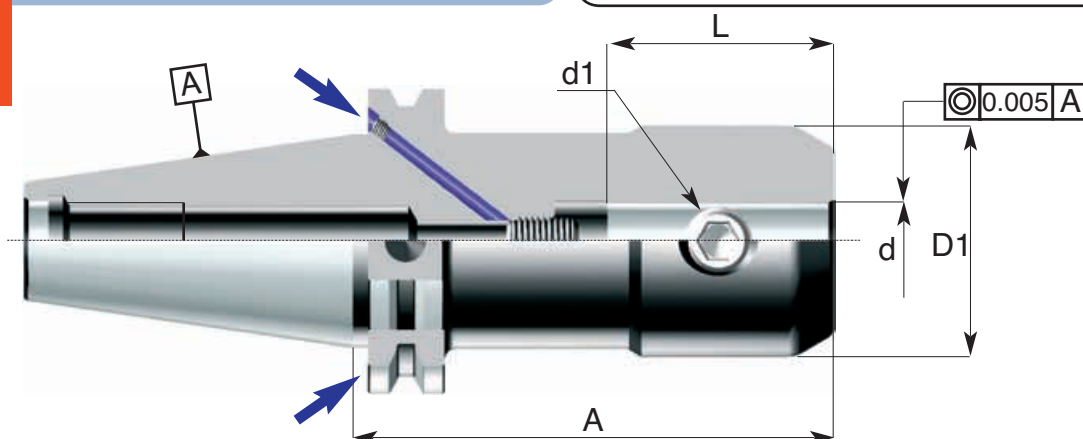


Prebilanciato
 Prebalanced
 G6.3 / 8000rpm



ART: H01.208

2.
12



Codice di ord Code	SK	d H5	A	D1	L	d1	Grano di serraggio Clamping screw
H01.208.40.0062	SK 40	6	100	25	35	M6X10	208.00.0060
H01.208.40.0064	SK 40	6	150	25	35	M6X10	208.00.0060
H01.208.40.0082	SK 40	8	100	28	35	M8X10	208.00.0080
H01.208.40.0084	SK 40	8	150	28	35	M8X10	208.00.0080
H01.208.40.0102	SK 40	10	100	35	39	M10X12	288.00.0100
H01.208.40.0104	SK 40	10	150	35	39	M10X12	208.00.0100
H01.208.40.0122	SK 40	12	100	42	44	M12X1,5X16	288.00.0120
H01.208.40.0124	SK 40	12	150	42	44	M12X1,5X16	208.00.0120
H01.208.40.0142	SK 40	14	100	44	44	M12X1,5X16	208.00.0120
H01.208.40.0144	SK 40	14	150	44	44	M12X1,5X16	208.00.0120
H01.208.40.0162	SK 40	16	100	48	47	M14X1,5X16	208.00.0140
H01.208.40.0164	SK 40	16	150	48	47	M14X1,5X16	208.00.0140
H01.208.40.0182	SK 40	18	100	50	47	M14X1,5X16	208.00.0140
H01.208.40.0184	SK 40	18	150	50	47	M14X1,5X16	208.00.0140
H01.208.40.0202	SK 40	20	100	52	49	M16X1,5X16	208.00.0180
H01.208.40.0204	SK 40	20	150	52	49	M16X1,5X16	208.00.0180
H01.208.40.0254	SK 40	25	150	65	54	M18X1,5X20	208.00.0180
H01.208.40.0324	SK 40	32	150	72	58	M20X1,5X20	208.00.0200
H01.208.50.0062	SK 50	6	100	25	35	M6X10	208.00.0060
H01.208.50.0064	SK 50	6	150	25	35	M6X10	208.00.0060
H01.208.50.0082	SK 50	8	100	28	35	M8X10	208.00.0080
H01.208.50.0084	SK 50	8	150	28	35	M8X10	208.00.0080
H01.208.50.0102	SK 50	10	100	35	39	M10X12	288.00.0100
H01.208.50.0104	SK 50	10	150	35	39	M10X12	208.00.0100
H01.208.50.0122	SK 50	12	100	42	44	M12X1,5X16	288.00.0120
H01.208.50.0124	SK 50	12	150	42	44	M12X1,5X16	208.00.0120
H01.208.50.0142	SK 50	14	100	44	44	M12X1,5X16	208.00.0120
H01.208.50.0144	SK 50	14	150	44	44	M12X1,5X16	208.00.0120
H01.208.50.0162	SK 50	16	100	48	47	M14X1,5X16	208.00.0140
H01.208.50.0164	SK 50	16	150	48	47	M14X1,5X16	208.00.0140
H01.208.50.0182	SK 50	18	100	50	47	M14X1,5X16	208.00.0140
H01.208.50.0184	SK 50	18	150	50	47	M14X1,5X16	208.00.0140
H01.208.50.0202	SK 50	20	100	52	49	M16X1,5X16	208.00.0160
H01.208.50.0204	SK 50	20	150	52	49	M16X1,5X16	208.00.0160
H01.208.50.0252	SK 50	25	100	65	54	M18X1,5X20	208.00.0180
H01.208.50.0254	SK 50	25	150	65	54	M18X1,5X20	208.00.0180
H01.208.50.0324	SK 50	32	150	72	58	M20X1,5X20	208.00.0200
H01.208.50.0404	SK 50	40	150	80	68	M20X1,5X20	208.00.0200



ACCESSORI PER MACCHINE UTENSILI

Portafrese per calettamento a caldo secondo DIN 69882-8

Shrink-fit chucks DIN 69882-8

Schrumpfutter DIN 69882-8

Mandrins de frettage DIN 69882-8

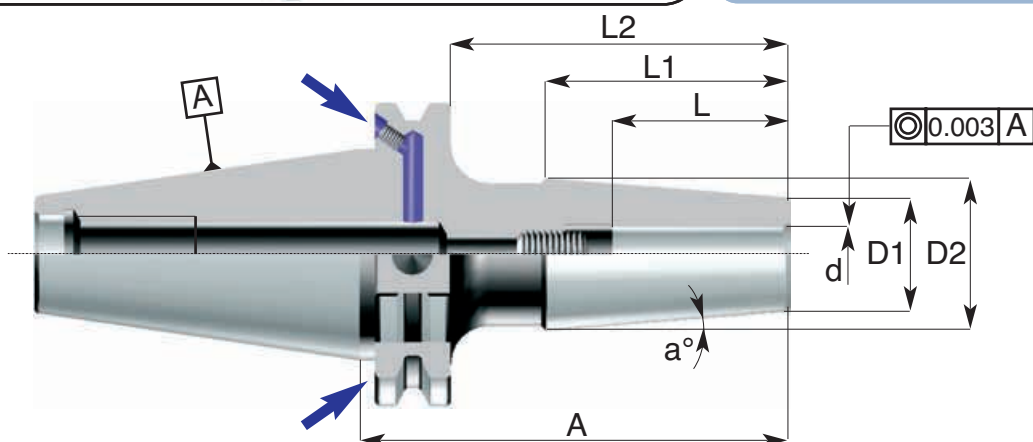


Bilanciatura fine
Fine balancing



DIN 69871/AD+B

ART: H01.206



2.
13



Codice di ord Code	SK	d h6	D1	D2	a°	L	L1	L2	A	bilanciatura balancing
H01.206.40.0030	SK 40	3	9	16	4.5°	15	44	54	73	G6.3/2000RPM
H01.206.40.0040	SK 40	4	9	16	4.5°	15	44	54	73	G6.3/2000RPM
H01.206.40.0050	SK 40	5	12	19	4.5°	20	44	54	73	G6.3/2000RPM
H01.206.40.0060	SK 40	6	12	19	4.5°	28	44	64	83	G6.3/2000RPM
H01.206.40.0080	SK 40	8	15	22	4.5°	37	44	64	83	G6.3/2000RPM
H01.206.40.0100	SK 40	10	19	27	4.5°	37	51	66	85	G6.3/2000RPM
H01.206.40.0120	SK 40	12	24	32	4.5°	37	51	71	90	G6.3/1500RPM
H01.206.40.0140	SK 40	14	27	34	4.5°	40	44	71	90	G6.3/1500RPM
H01.206.40.0160	SK 40	16	27	34	4.5°	40	44	71	90	G6.3/1500RPM
H01.206.40.0200	SK 40	20	33	42	4.5°	45	57	81	100	G6.3/1500RPM
H01.206.50.0030	SK 50	3	9	16	4.5°	15	44	54	73	G6.3/1500RPM
H01.206.50.0040	SK 50	4	9	16	4.5°	15	44	54	73	G6.3/1500RPM
H01.206.50.0050	SK 50	5	12	19	4.5°	20	44	54	73	G6.3/1500RPM
H01.206.50.0060	SK 50	6	12	19	4.5°	28	44	64	83	G6.3/1500RPM
H01.206.50.0080	SK 50	8	15	22	4.5°	37	44	64	83	G6.3/1500RPM
H01.206.50.0100	SK 50	10	19	27	4.5°	37	51	66	85	G6.3/1500RPM
H01.206.50.0120	SK 50	12	24	32	4.5°	37	51	71	90	G6.3/1500RPM
H01.206.50.0140	SK 50	14	27	34	4.5°	40	44	71	90	G6.3/1500RPM
H01.206.50.0160	SK 50	16	27	34	4.5°	40	44	71	90	G6.3/1500RPM
H01.206.50.0200	SK 50	20	33	42	4.5°	45	57	81	100	G6.3/1500RPM

2. MANDRINI a cono ISO DIN 69871

TOOL HOLDERS with ISO cone DIN 69871



Portafrese per calettamento a caldo secondo DIN 69882-8

Shrink-fit chucks DIN 69882-8

Schrumpfutter DIN 69882-8

Mandrins de frettage DIN 69882-8

ACCESSORI PER MACCHINE UTENSILI



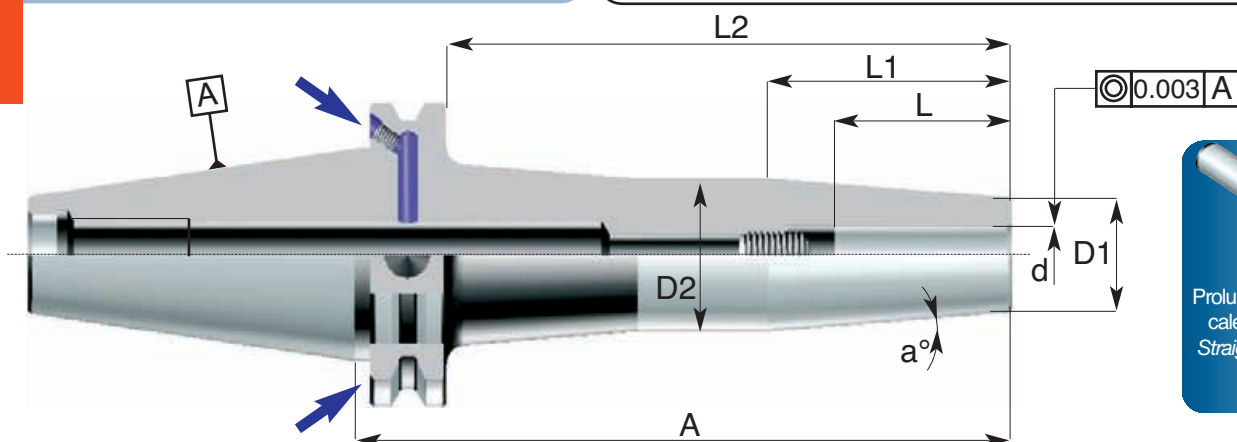
DIN 69871/AD+B



Bilanciatura fine
Fine balancing

ART: H01.206

2.
14



Codice di ord Code	SK	d h6	D1	D2	a°	L	L1	L2	A	bilanciatura balancing
H01.206.40.0032	SK 40	3	9	16	4.5°	15	44	141	160	G6.3/20000RPM
H01.206.40.0042	SK 40	4	9	16	4.5°	15	44	141	160	G6.3/20000RPM
H01.206.40.0052	SK 40	5	12	19	4.5°	20	44	141	160	G6.3/20000RPM
H01.206.40.0062	SK 40	6	12	22	4.5°	28	44	141	160	G6.3/20000RPM
H01.206.40.0082	SK 40	8	15	23	4.5°	34	44	141	160	G6.3/20000RPM
H01.206.40.0102	SK 40	10	19	27	4.5°	37	51	141	160	G6.3/20000RPM
H01.206.40.0122	SK 40	12	24	32	4.5°	37	51	141	160	G6.3/15000RPM
H01.206.40.0142	SK 40	14	27	34	4.5°	40	44	141	160	G6.3/15000RPM
H01.206.40.0162	SK 40	16	27	34	4.5°	40	44	141	160	G6.3/15000RPM
H01.206.40.0202	SK 40	20	33	42	4.5°	45	57	141	160	G6.3/15000RPM
H01.206.50.0032	SK 50	3	9	16	4.5°	15	44	141	160	G6.3/15000RPM
H01.206.50.0042	SK 50	4	9	16	4.5°	15	44	141	160	G6.3/15000RPM
H01.206.50.0052	SK 50	5	12	19	4.5°	20	44	141	160	G6.3/15000RPM
H01.206.50.0062	SK 50	6	12	22	4.5°	28	44	141	160	G6.3/15000RPM
H01.206.50.0082	SK 50	8	15	23	4.5°	34	44	141	160	G6.3/15000RPM
H01.206.50.0102	SK 50	10	19	27	4.5°	37	51	141	160	G6.3/15000RPM
H01.206.50.0122	SK 50	12	24	32	4.5°	37	51	141	160	G6.3/15000RPM
H01.206.50.0142	SK 50	14	27	34	4.5°	40	44	141	160	G6.3/15000RPM
H01.206.50.0162	SK 50	16	27	34	4.5°	40	44	141	160	G6.3/15000RPM
H01.206.50.0202	SK 50	20	33	42	4.5°	45	57	141	160	G6.3/15000RPM

ACCESSORI PER MACCHINE UTENSILI

FUORI PRODUZIONE

Mandrini a chiusura idraulica HYDRO-DELTA
 Hydraulic clamping chucks HYDRO DELTA
 Dehnspannfutter HYDRO DELTA
 Mandrins expansibles HYDRO DELTA

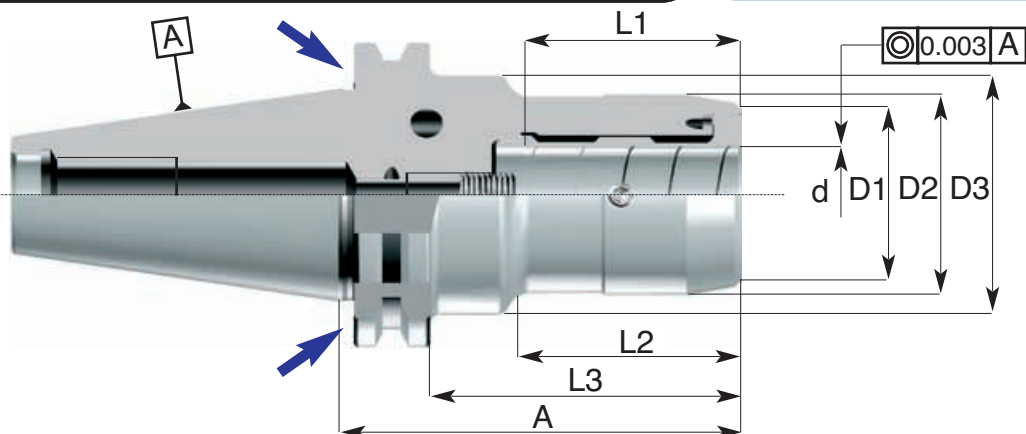


Bilanciatura fine
 Fine balancing



DIN 69871/AD+B

ART: H01.207



2.
15



Codice di ord Code	SK	d	D1	D2	D3	L1	L2	L3	A	bilanciatura balancing
H01.207.40.0060	SK 40	6	22	26	50	35	38	63	82	G6.3/15000RPM
H01.207.40.0080	SK 40	8	24	28	50	35	38	63	82	G6.3/15000RPM
H01.207.40.0100	SK 40	10	26	30	50	35	38	63	82	G6.3/15000RPM
H01.207.40.0120	SK 40	12	28	32	50	44	40	63	82	G6.3/15000RPM
H01.207.40.0140	SK 40	14	30	34	50	44	40	63	82	G6.3/15000RPM
H01.207.40.0160	SK 40	16	34	38	50	47	47	65	84	G6.3/15000RPM
H01.207.40.0200	SK 40	20	38	42	50	49	47	65	84	G6.3/15000RPM
H01.207.50.0060	SK 50	6	22	26	50	35	38	63	82	G6.3/15000RPM
H01.207.50.0080	SK 50	8	24	28	50	35	38	63	82	G6.3/15000RPM
H01.207.50.0100	SK 50	10	26	30	50	35	38	63	82	G6.3/15000RPM
H01.207.50.0120	SK 50	12	28	32	50	44	40	63	82	G6.3/15000RPM
H01.207.50.0140	SK 50	14	30	34	50	44	40	63	82	G6.3/15000RPM
H01.207.50.0160	SK 50	16	34	38	50	47	47	65	84	G6.3/15000RPM
H01.207.50.0200	SK 50	20	38	42	50	49	47	65	84	G6.3/15000RPM
H01.207.50.0250	SK 50	25	46	50	70	54	55	80	99	G6.3/15000RPM
H01.207.50.0320	SK 50	32	52	58	70	58	62	85	104	G6.3/15000RPM

2. MANDRINI a cono ISO DIN 69871

TOOL HOLDERS with ISO cone DIN 69871



Mandrini a chiusura idraulica HYDRO-DELTA

Hydraulic clamping chucks HYDRO DELTA

Dehnspannfutter HYDRO DELTA

Mandrins expansibles HYDRO DELTA

ACCESSORI PER MACCHINE UTENSILI

FUORI PRODUZIONE

DIN 69871/AD+B

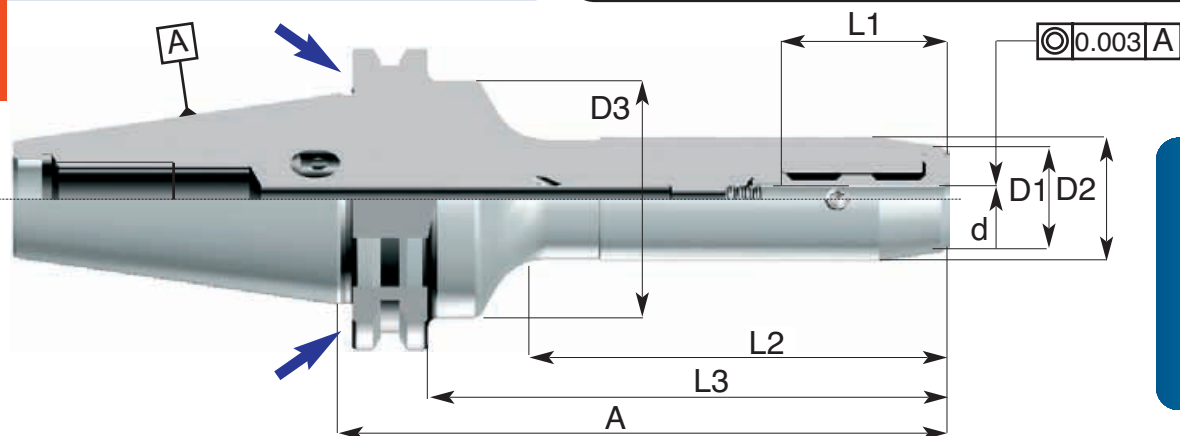


Bilanciatura fine
Fine balancing



ART: H01.207

2.
16



Codice di ord Code	SK	d	D1	D2	D3	L1	L2	L3	A	bilanciatura balancing
H01.207.40.0062	SK 40	6	22	26	50	35	106	131	150	G6.3/15000RPM
H01.207.40.0064	SK 40	6	22	26	50	35	156	181	200	G6.3/15000RPM
H01.207.40.0082	SK 40	8	24	28	50	35	106	131	150	G6.3/15000RPM
H01.207.40.0084	SK 40	8	24	28	50	35	156	181	200	G6.3/15000RPM
H01.207.40.0102	SK 40	10	26	30	50	35	106	131	150	G6.3/15000RPM
H01.207.40.0104	SK 40	10	26	30	50	35	156	181	200	G6.3/15000RPM
H01.207.40.0122	SK 40	12	28	32	50	44	106	131	150	G6.3/15000RPM
H01.207.40.0124	SK 40	12	28	32	50	44	156	181	200	G6.3/15000RPM
H01.207.40.0142	SK 40	14	30	34	50	44	106	131	150	G6.3/15000RPM
H01.207.40.0144	SK 40	14	30	34	50	44	156	181	200	G6.3/15000RPM
H01.207.40.0162	SK 40	16	34	38	50	47	106	131	150	G6.3/15000RPM
H01.207.40.0164	SK 40	16	34	38	50	47	156	181	200	G6.3/15000RPM
H01.207.40.0202	SK 40	20	38	42	50	47	106	131	150	G6.3/15000RPM
H01.207.40.0204	SK 40	20	38	42	50	47	156	181	200	G6.3/15000RPM
H01.207.50.0062	SK 50	6	22	26	50	35	106	131	150	G6.3/15000RPM
H01.207.50.0064	SK 50	6	22	26	50	35	156	181	200	G6.3/15000RPM
H01.207.50.0082	SK 50	8	24	28	50	35	106	131	150	G6.3/15000RPM
H01.207.50.0084	SK 50	8	24	28	50	35	156	181	200	G6.3/15000RPM
H01.207.50.0102	SK 50	10	26	30	50	35	106	131	150	G6.3/15000RPM
H01.207.50.0104	SK 50	10	26	30	50	35	156	181	200	G6.3/15000RPM
H01.207.50.0122	SK 50	12	28	32	50	44	106	131	150	G6.3/15000RPM
H01.207.50.0124	SK 50	12	28	32	50	44	156	181	200	G6.3/15000RPM
H01.207.50.0142	SK 50	14	30	34	50	44	106	131	150	G6.3/15000RPM
H01.207.50.0144	SK 50	14	30	34	50	44	156	181	200	G6.3/15000RPM
H01.207.50.0162	SK 50	16	34	38	50	47	106	131	150	G6.3/15000RPM
H01.207.50.0164	SK 50	16	34	38	50	47	156	181	200	G6.3/15000RPM
H01.207.50.0202	SK 50	20	38	42	50	47	106	131	150	G6.3/15000RPM
H01.207.50.0204	SK 50	20	38	42	50	47	156	181	200	G6.3/15000RPM
H01.207.50.0252	SK 50	25	46	50	70	54	106	131	150	G6.3/15000RPM
H01.207.50.0254	SK 50	25	46	50	70	54	156	181	200	G6.3/15000RPM
H01.207.50.0322	SK 50	32	52	58	70	58	106	131	150	G6.3/15000RPM
H01.207.50.0324	SK 50	32	52	58	70	58	156	181	200	G6.3/15000RPM

ACCESSORI PER MACCHINE UTENSILI

Mandrini portatestine filettate
Chucks for threaded heads
Mandrins pour têtes filetées
Spannfutter für Gewindeköpfe

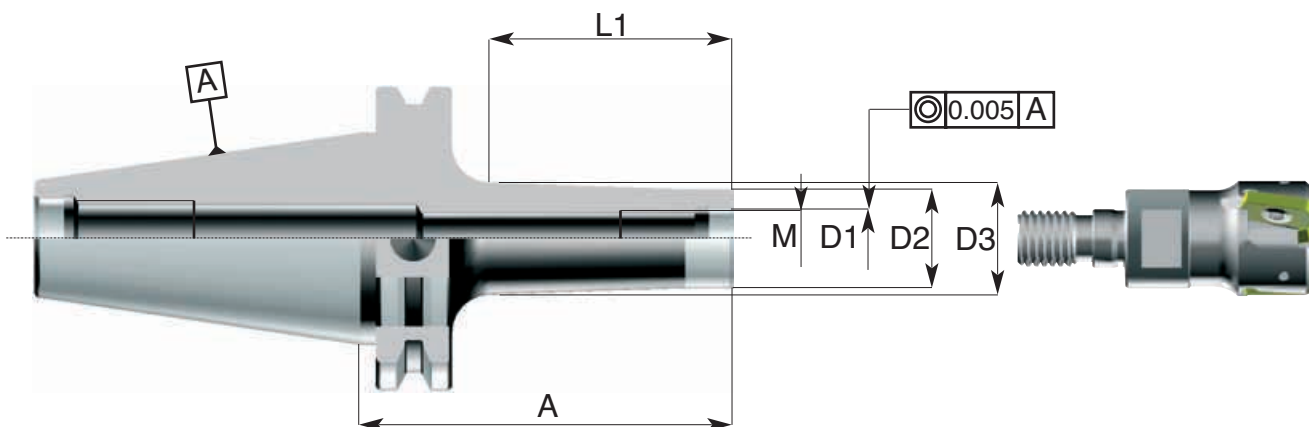


Bilanciatura fine
Fine balancing



DIN 69871 / AD

ART: 001.267



2.
17

Codice di ord Code	SK	M	D1	D2	D3	L1	A	bilanciatura balancing
001.267.40.0060	SK 40	M6	6.5	9.7	13	30	58	G6.3/15000RPM
001.267.40.0062	SK 40	M6	6.5	9.7	20	50	78	G6.3/15000RPM
001.267.40.0064	SK 40	M6	6.5	9.7	23	70	98	G6.3/15000RPM
001.267.40.0080	SK 40	M8	8.5	12.7	15	30	58	G6.3/15000RPM
001.267.40.0082	SK 40	M8	8.5	12.7	23	50	78	G6.3/15000RPM
001.267.40.0084	SK 40	M8	8.5	12.7	23	70	98	G6.3/15000RPM
001.267.40.0086	SK 40	M8	8.5	12.7	23	90	118	G6.3/15000RPM
001.267.40.0100	SK 40	M10	10.5	17.7	20	30	58	G6.3/15000RPM
001.267.40.0102	SK 40	M10	10.5	17.7	25	50	78	G6.3/15000RPM
001.267.40.0104	SK 40	M10	10.5	17.7	28	70	98	G6.3/15000RPM
001.267.40.0106	SK 40	M10	10.5	17.7	28	90	118	G6.3/15000RPM
001.267.40.0120	SK 40	M12	12.5	20.7	24	30	58	G6.3/15000RPM
001.267.40.0122	SK 40	M12	12.5	20.7	24	50	78	G6.3/15000RPM
001.267.40.0124	SK 40	M12	12.5	20.7	31	70	98	G6.3/15000RPM
001.267.40.0126	SK 40	M12	12.5	20.7	31	90	118	G6.3/15000RPM
001.267.40.0160	SK 40	M16	17	28.7	29	30	58	G6.3/15000RPM
001.267.40.0162	SK 40	M16	17	28.7	34	50	78	G6.3/15000RPM
001.267.40.0164	SK 40	M16	17	28.7	34	70	98	G6.3/15000RPM
001.267.40.0166	SK 40	M16	17	28.7	34	90	118	G6.3/15000RPM
001.267.50.0100	SK 50	M10	10.5	17.7	20	30	58	G6.3/15000RPM
001.267.50.0102	SK 50	M10	10.5	17.7	25	50	78	G6.3/15000RPM
001.267.50.0104	SK 50	M10	10.5	17.7	28	70	98	G6.3/15000RPM
001.267.50.0106	SK 50	M10	10.5	17.7	31	100	128	G6.3/15000RPM
001.267.50.0120	SK 50	M12	12.5	20.7	24	30	58	G6.3/15000RPM
001.267.50.0122	SK 50	M12	12.5	20.7	24	50	78	G6.3/15000RPM
001.267.50.0124	SK 50	M12	12.5	20.7	31	70	98	G6.3/15000RPM
001.267.50.0126	SK 50	M12	12.5	20.7	31	100	128	G6.3/15000RPM
001.267.50.0128	SK 50	M12	12.5	20.7	41	150	178	G6.3/15000RPM
001.267.50.0160	SK 50	M16	17	28.7	29	30	58	G6.3/15000RPM
001.267.50.0162	SK 50	M16	17	28.7	34	50	78	G6.3/15000RPM
001.267.50.0164	SK 50	M16	17	28.7	34	70	98	G6.3/15000RPM
001.267.50.0166	SK 50	M16	17	28.7	41	100	128	G6.3/15000RPM
001.267.50.0168	SK 50	M16	17	28.7	52	150	178	G6.3/15000RPM
001.267.50.0169	SK 50	M16	17	28.7	57	200	228	G6.3/15000RPM

2. MANDRINI a cono ISO DIN 69871

TOOL HOLDERS with ISO cone DIN 69871



Mandriini portamorsetti autoserranti DIN 238

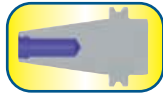
Taper shafts for drill chucks DIN 238

Bohrfutteraufnahmen DIN 238

Porte-mandrins de perceuses DIN 238

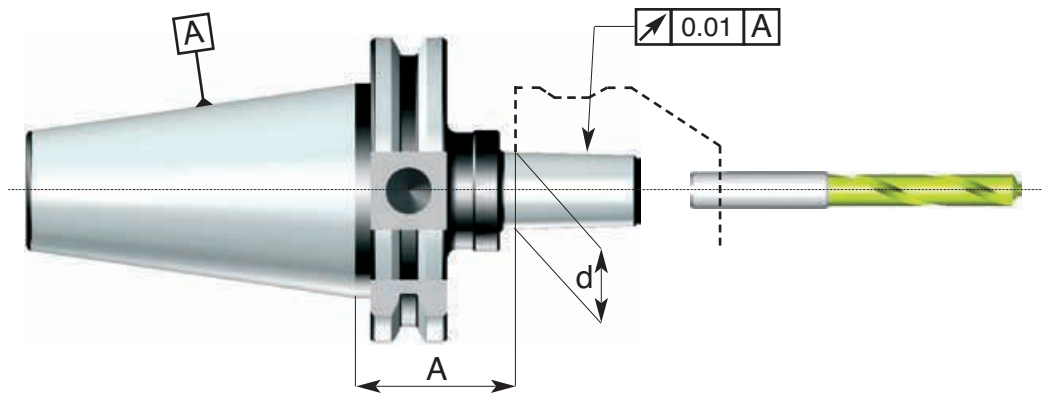
ACCESSORI PER MACCHINE UTENSILI

DIN 69871/A



ART: 001.220

2.
18



Codice di ord Code	SK	Tipo Din	A	d
001.220.30.0120	SK 30	B 12	35	12.065
001.220.30.0160	SK 30	B 16	35	15.733
001.220.40.0120	SK 40	B 12	35	12.065
001.220.40.0160	SK 40	B 16	35	15.733
001.220.40.0180	SK 40	B 18	35	17.780
001.220.45.0160	SK 45	B 16	40	15.733
001.220.45.0180	SK 45	B 18	40	17.780
001.220.50.0160	SK 50	B 16	40	15.733
001.220.50.0180	SK 50	B 18	40	17.780

ACCESSORI PER MACCHINE UTENSILI

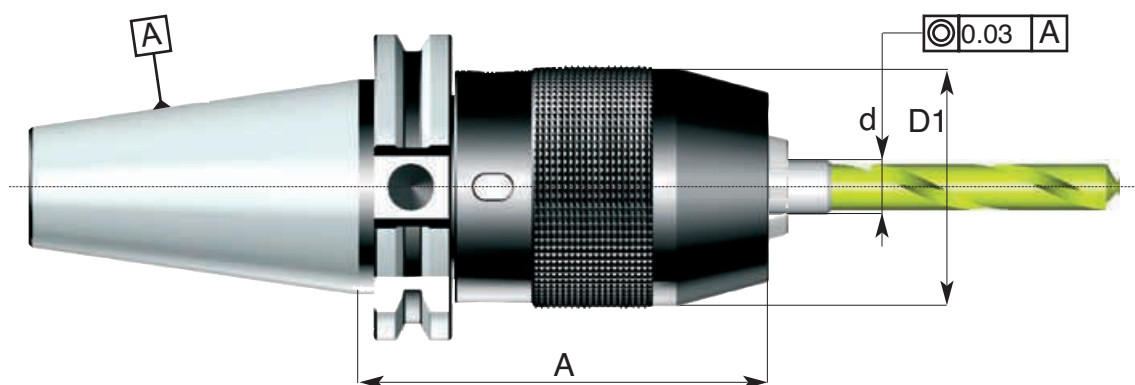
Mandrini portapunte integrali
Integral drill chucks
Kurzbohrfutter
Mandrins porte-forets intégraux



DIN 69871 / A

ART: 001.221

2.
19



Codice di ord Code	SK	A	D	capacità "d" Capacity range "d"
001.221.40.1301	SK 40	90	50	1-13
001.221.40.1603	SK 40	100	57	3-16
001.221.50.1301	SK 50	90	50	1-13
001.221.50.1603	SK 50	100	57	3-16

ADATTI SOLO A ROTAZIONE DESTRA
SUITABLE FOR RIGHT ROTATION ONLY

Forniti completi di chiave
Supplied together with key

2. MANDRINI a cono ISO DIN 69871 TOOL HOLDERS with ISO cone DIN 69871



Riduzioni da cono ISO DIN 69871 a cono ISO DIN 2080
Adaptors sleeves ISO DIN 69871 to ISO DIN 2080 cone
Zwischenhülsen ISO DIN 69871 zu ISO DIN 2080 Steilkegel
Douilles de réduction cône ISO DIN 69871 à ISO DIN 2080

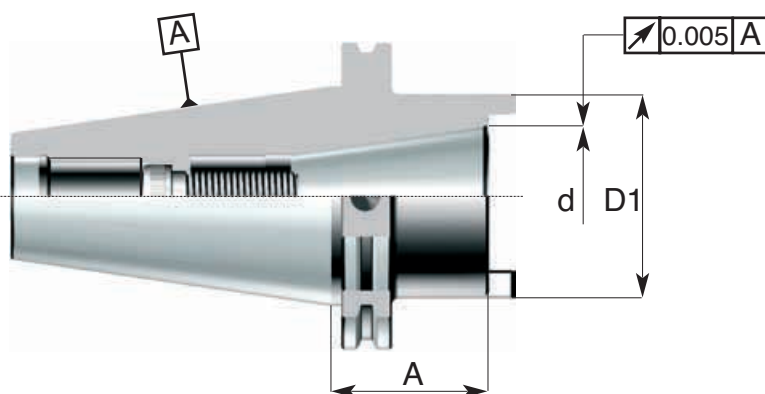
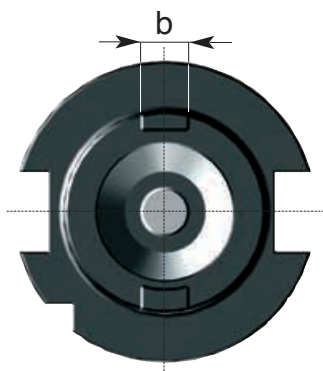
ACCESSORI PER MACCHINE UTENSILI

DIN 69871/AD



ART: 001.250

2.
20



Codice di ord Code	SK	SK DIN 2080	d	A	D1	b	Vite Screw	Ghiera Nut
001.250.40.0300	SK 40	SK 30	31.75	55	52	15.9	252.00.1230.B	252.00.1810
001.250.45.0300	SK 45	SK 30	31.75	40	55	15.9	252.00.1230.B	-
001.250.45.0400	SK 45	SK 40	44.45	72	65	15.9	252.00.1650.B	252.00.2513
001.250.50.0300	SK 50	SK 30	31.75	35	52	15.9	252.00.1235	-
001.250.50.0400	SK 50	SK 40	44.45	50	65	15.9	252.00.1640.B	-
001.250.50.0450	SK 50	SK 45	57.17	75	80	19	252.00.2050.B	252.00.3013

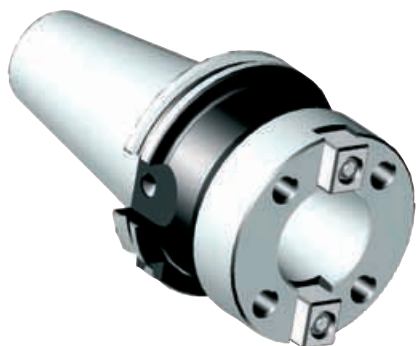
per DIN 69871 specificare nell'ordine la vite
for DIN 69871 specify the screw code in the order



Codice di ord Code	Vite per DIN 69871 Screw for DIN 69871
001.250.40.0300	252.00.1250.B
001.250.45.0300	252.00.1250.B
001.250.45.0400	252.00.1670.B
001.250.50.0300	252.00.1255
001.250.50.0400	252.00.1660.B
001.250.50.0450	252.00.2070.B



ACCESSORI PER MACCHINE UTENSILI

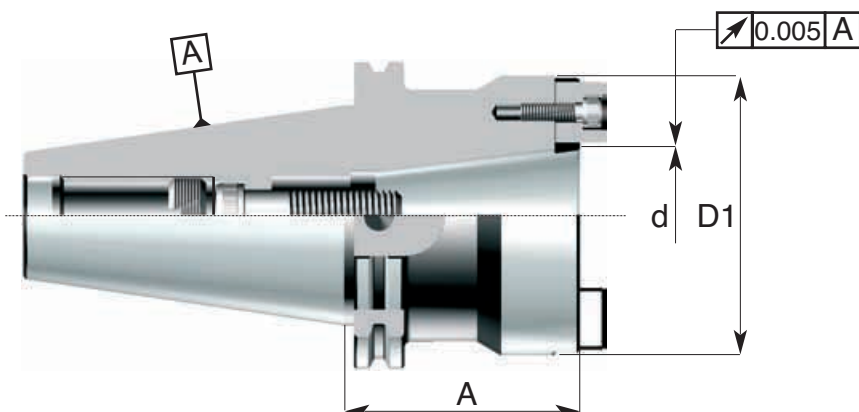
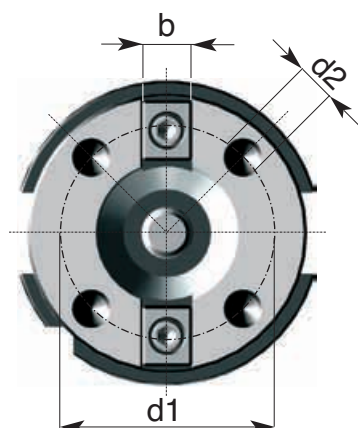


Riduzioni da cono ISO a cono ISO naso mandrino DIN 2079
 Adaptors sleeves ISO to ISO cone with DIN 2079 spindle nose
 Zwischenhülsen ISO zu ISO Steilkegel mit DIN 2079 Spindelkopf
 Douilles de réduction cône ISO à cône ISO avec nez de broche DIN 2079



DIN 69871 / AD

ART: 001.252



2.
21

Codice di ord Code	SK	SK	A	D1 h6	d1	d2	b	Tassello Tenon	Vite Screw	Ghiera Nut
001.252.45.0400	SK 45	SK 40	75	88.882	66.70	M12	15.9	192.02	252.00.1640.B	252.00.2513
001.252.50.0400	SK 50	SK 40	75	88.882	66.70	M12	15.9	192.02	252.00.1640.B	261.24.0400
001.252.50.0450	SK 50	SK 45	75	101.60	80	M12	19	192.45.0190	252.00.2050.B	252.00.2030



Pag. 12.26

2. MANDRINI a cono ISO DIN 69871

TOOL HOLDERS with ISO cone DIN 69871



Riduzioni da cono ISO a cono ISO per PRESETTING

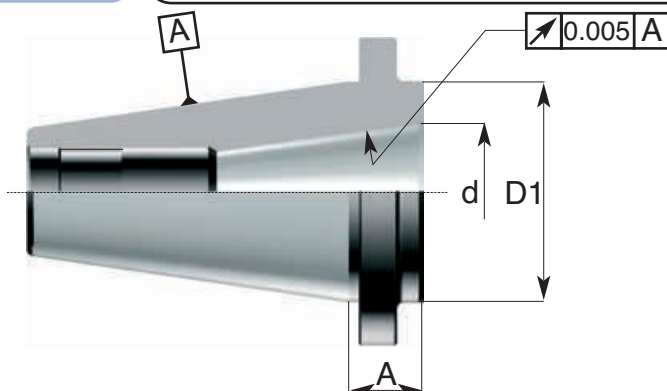
Adaptors sleeves ISO to ISO cone for presetting
 Zwischenhülsen ISO zu ISO Steilkegel für Presetting
 Douilles de réduction cône ISO à ISO pour presetting

ACCESSORI PER MACCHINE UTENSILI



ART: DPR.250
 per coni ISO / for ISO cone

2.
22



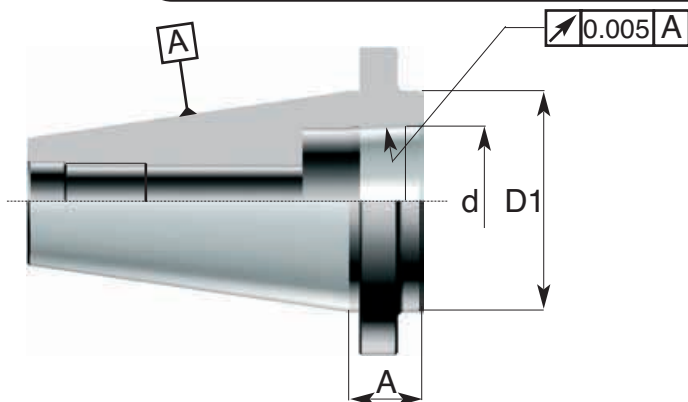
Codice di ord Code	SK	SK interno inner SK	d	A	D1
DPR.250.40.0300	SK 40	SK 30	31.750	20.2	55
DPR.250.50.0400	SK 50	SK 40	44.450	23.2	70
DPR.250.50.0450	SK 50	SK 45	57.150	33.2	80
DPR.250.60.0400	SK 60	SK 40	44.450	23.2	70
DPR.250.60.0500	SK 60	SK 80	69.850	33.2	105

Riduzioni da cono ISO a cono HSK per PRESETTING

Adaptors sleeves ISO to HSK cone for presetting
 Zwischenhülsen ISO zu HSK Steilkegel für Presetting
 Douilles de réduction cône ISO à HSK pour presetting



ART: DPR.250
 per coni HSK / for HSK cone



Codice di ord Code	HSK	SK interno inner SK	d	A	D1
DPR.250.50.HSK40	SK 50	HSK 40	29.998	23.2	50
DPR.250.50.HSK50	SK 50	HSK 50	37.998	23.2	60
DPR.250.50.HSK63	SK 50	HSK 63	47.998	23.2	70
DPR.250.50.HSK100	SK 50	HSK 100	74.997	63.2	105

ACCESSORI PER MACCHINE UTENSILI



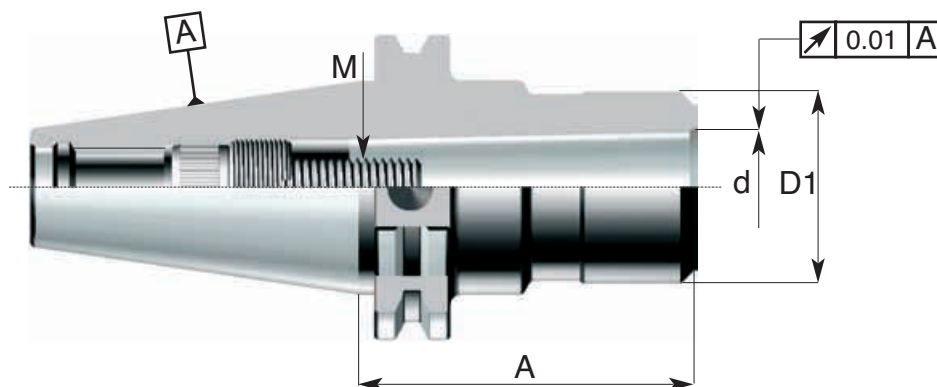
Riduzioni da cono ISO a cono Morse DIN 6364 B per frese con vite interna
 Morse taper adaptors sleeves for cutters with internal screw - DIN 6364 B
 Zwischenhülsen für Morsekegel mit Auzugsgewinde - DIN 6364 B
 Douilles de réduction à cône Morse pour fraises avec vis - DIN 6364 B



DIN 69871/AD

ART: 001.261

2.
23



Codice di ord Code	SK	Cono Morse	d	A	D1	M	Vite Screw	Ghiera Nut
001.261.40.0100	SK 40	Morse 1	12.065	40	25	M6	261.00.0625	261.16.0100
001.261.40.0200	SK 40	Morse 2	17.780	55	32	M10	261.00.1030.B	261.16.0200
001.261.40.0300	SK 40	Morse 3	23.825	70	40	M12	261.00.1240	261.00.1220
001.261.40.0400	SK 40	Morse 4	31.267	95	50	M16	261.00.1650.E	261.00.1626
001.261.45.0100	SK 45	Morse 1	12.065	40	25	M6	261.00.0630	261.20.0100
001.261.45.0200	SK 45	Morse 2	17.780	50	32	M10	261.00.1030	261.20.0200
001.261.45.0300	SK 45	Morse 3	23.825	65	40	M12	261.00.1235.B	261.20.0200
001.261.45.0400	SK 45	Morse 4	31.267	85	50	M16	261.00.1650.E	261.00.1626
001.261.45.0500	SK 45	Morse 5	44.399	115	65	M20	261.00.2050.E	261.00.2033
001.261.50.0100	SK 50	Morse 1	12.065	40	25	M6	261.00.0645	261.24.0100
001.261.50.0200	SK 50	Morse 2	17.780	50	32	M10	261.00.1040	261.24.0200
001.261.50.0300	SK 50	Morse 3	23.825	63	40	M12	261.00.1240	261.24.0300
001.261.50.0400	SK 50	Morse 4	31.267	80	50	M16	261.00.1640.B	261.24.0400
001.261.50.0500	SK 50	Morse 5	44.399	105	65	M20	261.00.2050.E	261.00.2033



2. MANDRINI a cono ISO DIN 69871

TOOL HOLDERS with ISO cone DIN 69871



Riduzioni da cono ISO a cono Morse per frese con ingombri ridotti

Morse taper adaptors sleeves for cutters with internal screw

Zwischenhülsen für Morsekegel mit Auzugsgewinde

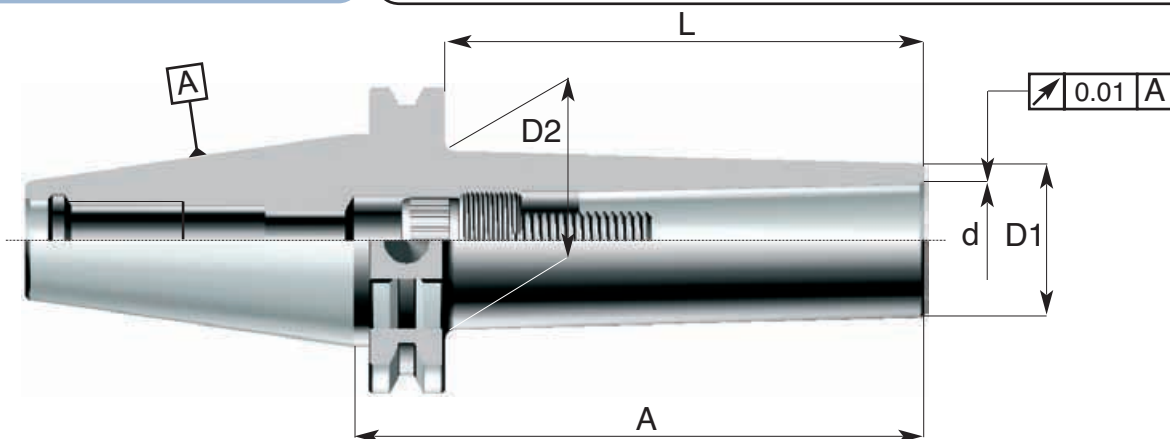
Douilles de réduction à cône Morse pour fraises avec vis

ACCESSORI PER MACCHINE UTENSILI

DIN 69871 / AD



ART: 001.266



Codice di ord Code	SK	CM	d	A	L	D1	D2	Vite Screw	Ghiera Nut
001.266.40.0200	SK 40	Morse 2	17.780	94	75	25	29	266.00.1070.B	261.16.0200
001.266.40.0202	SK 40	Morse 2	17.780	119	100	25	30	266.00.1090.B	261.16.0200
001.266.40.0204	SK 40	Morse 2	17.780	169	150	25	33	266.00.10140.B	261.16.0200
001.266.40.0206	SK 40	Morse 2	17.780	219	200	25	35.5	266.00.10180.B	261.16.0200
001.266.40.0300	SK 40	Morse 3	23.825	94	75	32	36	261.00.1240	261.00.1220
001.266.40.0302	SK 40	Morse 3	23.825	119	100	32	37	261.00.1240	261.00.1220
001.266.40.0304	SK 40	Morse 3	23.825	169	150	32	40	261.00.1240	261.00.1220
001.266.40.0306	SK 40	Morse 3	23.825	219	200	32	42.5	261.00.1240	261.00.1220
001.266.50.0200	SK 50	Morse 2	17.780	119	100	25	30	266.00.10100	261.24.0200
001.266.50.0202	SK 50	Morse 2	17.780	169	150	25	33	266.00.10130	261.24.0200
001.266.50.0204	SK 50	Morse 2	17.780	219	200	25	35.5	266.00.10180	261.24.0200
001.266.50.0206	SK 50	Morse 2	17.780	269	250	25	38	266.00.10220	261.24.0200
001.266.50.0300	SK 50	Morse 3	23.825	119	100	32	37	266.00.12100	261.24.0300
001.266.50.0302	SK 50	Morse 3	23.825	169	150	32	40	266.00.12130	261.24.0300
001.266.50.0304	SK 50	Morse 3	23.825	219	200	32	42.5	266.00.12180	261.24.0300
001.266.50.0306	SK 50	Morse 3	23.825	269	250	32	45	266.00.12200	261.24.0300
001.266.50.0308	SK 50	Morse 3	23.825	319	300	32	48	266.00.12260	261.24.0300
001.266.50.0309	SK 50	Morse 3	23.825	369	350	32	50.5	266.00.12300	261.24.0300
001.266.50.0310	SK 50	Morse 3	23.825	419	400	32	53	266.00.12300	261.24.0300
001.266.50.0400	SK 50	Morse 4	31.267	119	100	42	47	266.00.1680.B	261.24.0400
001.266.50.0402	SK 50	Morse 4	31.267	169	150	42	50	266.00.16110.B	261.24.0400
001.266.50.0404	SK 50	Morse 4	31.267	219	200	42	52.5	266.00.16160.B	261.24.0400
001.266.50.0406	SK 50	Morse 4	31.267	269	250	42	55	266.00.16200.B	261.24.0400
001.266.50.0408	SK 50	Morse 4	31.267	319	300	42	58	266.00.16260.B	261.24.0400
001.266.50.0409	SK 50	Morse 4	31.267	369	350	42	60.5	266.00.16300.B	261.24.0400
001.266.50.0410	SK 50	Morse 4	31.267	419	400	42	63	266.00.16300.B	261.24.0400



ACCESSORI PER MACCHINE UTENSILI



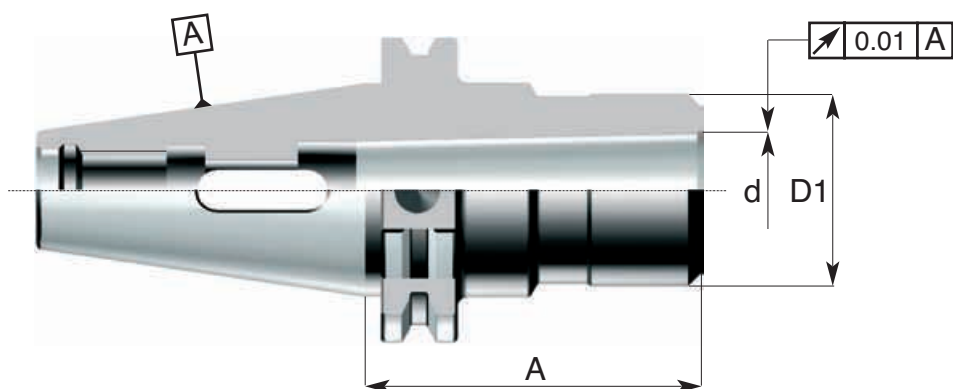
Riduzioni da cono ISO a cono Morse per punte tipo normale e prolungato
 Adaptors sleeves from ISO cone to Morse cone for tools with driving shank
 Zwischenhülsen mit Steilkegel für Werkzeuge mit Morsekegel und Austreibblappen
 Douilles de réduction de cône ISO à cône Morse pour outils munies de dents d'entraînement



DIN 69871/AD

ART: 001.262

2.
25



Codice di ord Code	SK	Cono Morse	d	A	D1	Combi*
001.262.30.0100	SK 30	Morse 1	12.065	50	25	PF
001.262.30.0200	SK 30	Morse 2	17.780	60	30	-
001.262.30.0300	SK 30	Morse 3	23.825	75	40	-
001.262.40.0100	SK 40	Morse 1	12.065	40	25	PF
001.262.40.0102	SK 40	Morse 1	12.065	120	25	PF
001.262.40.0200	SK 40	Morse 2	17.780	50	32	PF
001.262.40.0202	SK 40	Morse 2	17.780	135	32	PF
001.262.40.0300	SK 40	Morse 3	23.825	63	40	PF
001.262.40.0302	SK 40	Morse 3	23.825	150	40	-
001.262.40.0400	SK 40	Morse 4	31.267	90	50	PF
001.262.40.0402	SK 40	Morse 4	31.267	165	50	-
001.262.45.0100	SK 45	Morse 1	12.065	40	25	PF
001.262.45.0200	SK 45	Morse 2	17.780	50	32	PF
001.262.45.0300	SK 45	Morse 3	23.825	63	40	PF
001.262.45.0400	SK 45	Morse 4	31.267	80	50	PF
001.262.45.0500	SK 45	Morse 5	44.399	105	70	PF
001.262.50.0100	SK 50	Morse 1	12.065	40	25	PF
001.262.50.0102	SK 50	Morse 1	12.065	120	25	PF
001.262.50.0104	SK 50	Morse 1	12.065	180	25	PF
001.262.50.0200	SK 50	Morse 2	17.780	50	32	PF
001.262.50.0202	SK 50	Morse 2	17.780	135	32	PF
001.262.50.0204	SK 50	Morse 2	17.780	180	32	PF
001.262.50.0300	SK 50	Morse 3	23.825	63	40	PF
001.262.50.0302	SK 50	Morse 3	23.825	150	40	PF
001.262.50.0304	SK 50	Morse 3	23.825	180	40	PF
001.262.50.0400	SK 50	Morse 4	31.267	80	50	PF
001.262.50.0402	SK 50	Morse 4	31.267	180	50	PF
001.262.50.0500	SK 50	Morse 5	44.399	105	70	-

*Le riduzioni PF sono adatte anche per frese con attacco DIN 228-A; per i tipi ISO 30 CM2-3, ISO 40 CM3-4, ISO 45 CM5 e ISO 50 CM5 è necessario l'uso del tirante lungo (vedi sezione tiranti)

*PF adaptors are suitable for clamping MT-shank mills; for ISO 30 MK2-3, ISO 40 MK3-4, ISO 45 MK5 e ISO 50 MK5 long pull stud is required (see pull studs section)

2. MANDRINI a cono ISO DIN 69871

TOOL HOLDERS with ISO cone DIN 69871



Riduzioni da cono ISO a cono Morse per punte

Morse taper adaptors sleeves for drills with driving shank

Zwischenhülsen für Morsekegel mit Austreibklappen

Douilles de réduction à cône Morse pour forets avec dents d'entraînement

ACCESSORI PER MACCHINE UTENSILI

DIN 69871 / AD+B

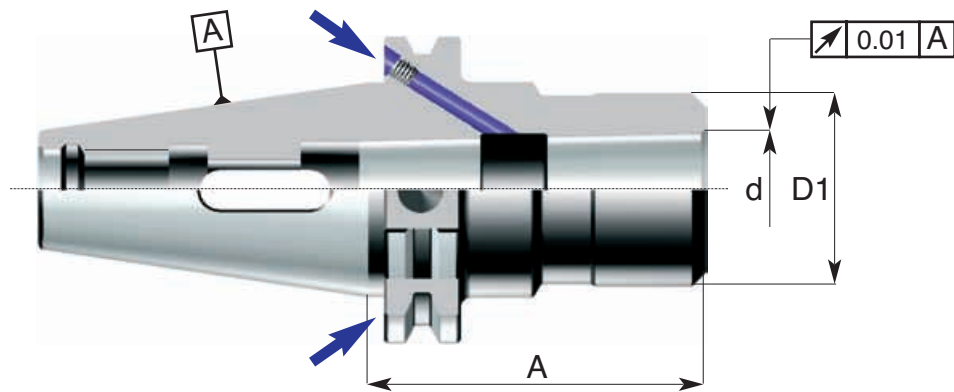


FUORI PRODUZIONE



ART: H01.262

2.
26



Codice di ord Code	SK	Cono Morse	d	A	D1	Combi*
H01.262.40.0100	SK 40	Morse 1	12.065	45	25	PF
H01.262.40.0200	SK 40	Morse 2	17.780	50	32	PF
H01.262.40.0300	SK 40	Morse 3	23.825	63	40	PF
H01.262.40.0400	SK 40	Morse 4	31.267	90	50	PF
H01.262.50.0100	SK 50	Morse 1	12.065	40	25	PF
H01.262.50.0200	SK 50	Morse 2	17.780	50	32	PF
H01.262.50.0300	SK 50	Morse 3	23.825	63	40	PF
H01.262.50.0400	SK 50	Morse 4	31.267	80	50	PF
H01.262.50.0500	SK 50	Morse 5	44.399	105	70	PF

*Le riduzioni PF sono adatte anche per frese con attacco DIN 228-A; per i tipi ISO 30 CM2-3, ISO 40 CM3-4, ISO 45 CM5 e ISO 50 CM5 è necessario l'uso del tirante lungo (vedi sezione tiranti)

*PF adaptors are suitable for clamping MT-shank mills; for ISO 30 MK2-3, ISO 40 MK3-4, ISO 45 MK5 e ISO 50 MK5 long pull stud is required (see pull studs section)

ACCESSORI PER MACCHINE UTENSILI

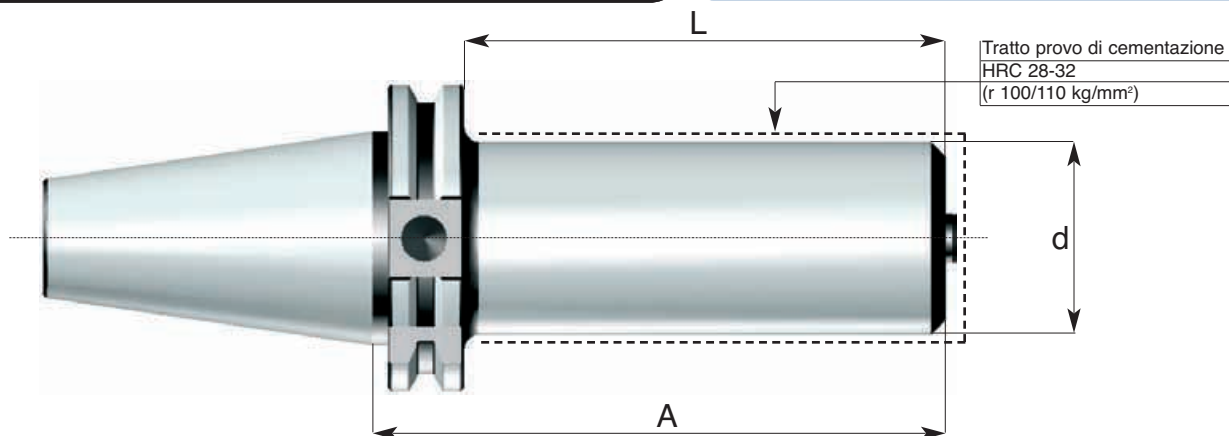


Barre semifinite con tratto cilindrico privo di cementazione per esecuzioni speciali
 Unfinished taper-shank blanks for special applications
 Rohlinge für spezielle Anwendungen
 Ebauches pour applications spéciales



DIN 69871/A

ART: 001.424



2.
27

Codice di ord Code	SK	d	A	L
001.424.40.0402	SK 40	40	189	170
001.424.40.0404	SK 40	40	269	250
001.424.40.0630	SK 40	63	169	150
001.424.40.0632	SK 40	63	269	250
001.424.45.0802	SK 45	80	269	250
001.424.50.0630	SK 50	63	169	150
001.424.50.0632	SK 50	63	269	250
001.424.50.0634	SK 50	63	419	400
001.424.50.1000	SK 50	97	269	250
001.424.50.1002	SK 50	97	419	400

2. MANDRINI a cono ISO DIN 69871
 TOOL HOLDERS with ISO cone DIN 69871



Mandriani a forte serraggio
 High clamping chucks
 Kraftspannfutter
 Mandrins à fort serrage

FUORI PRODUZIONE

ACCESSORI PER MACCHINE UTENSILI

DIN 69871/AD+B

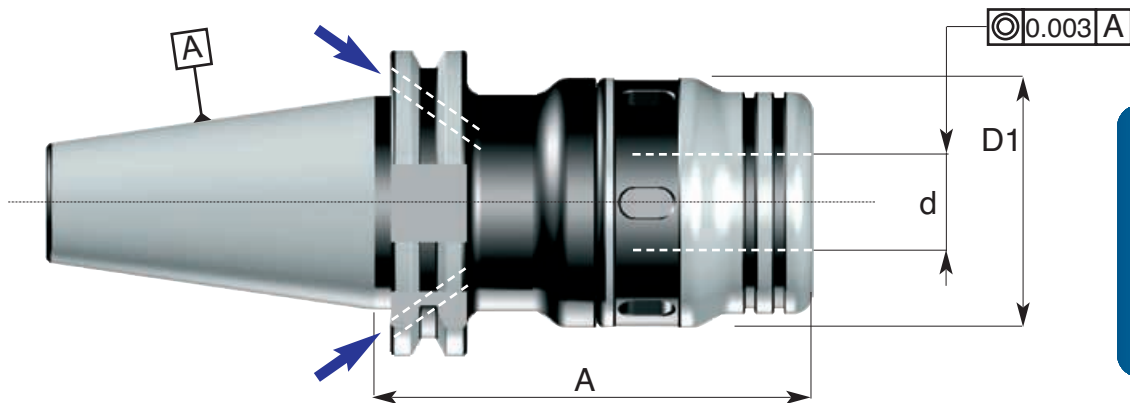


Prebilanciato
 Prebalanced
 G6.3 / 8000rpm



ART: H01.603

2.
28



Codice di ord Code	SK	d1	D1	A	Boccola di riduzione Reduction bushes
H01.603.40.0200	SK 40	20	54	105	239.20...
H01.603.40.0320	SK 40	32	72	105	239.32...
H01.603.40.0322	SK 40	32	72	135	239.32...
H01.603.50.0200	SK 50	20	54	105	239.20...
H01.603.50.0320	SK 50	32	72	105	239.32...
H01.603.50.0322	SK 50	32	72	135	239.32...

ACCESSORI PER MACCHINE UTENSILI

Mandrini portapinze EOC DIN 6388

Collet chucks EOC - DIN 6388

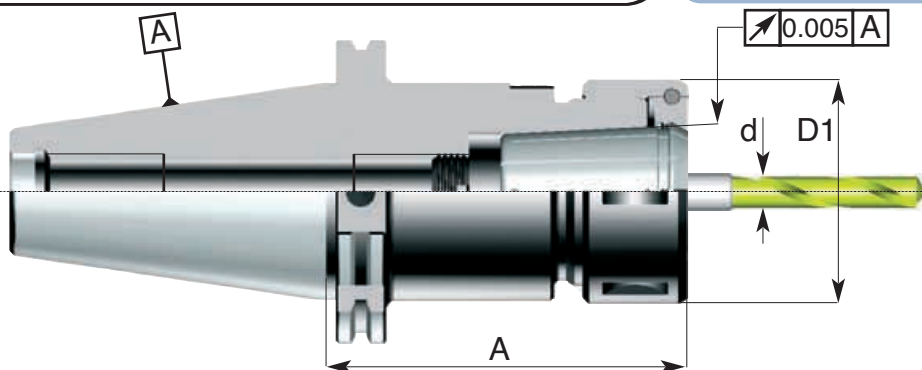
Spannzangenhalter EOC - DIN 6388

Mandrins porte-pinces EOC - DIN 6388



DIN 69871/AD

ART: 001.601



2.
29

Codice di ord Code	SK	EOC	A	D1	Cap. di chiusura Pinza "d" Capacity range "d"	Ghiera Nut
001.601.40.0350	SK 40	25	70	60	da 3 a 25	245.48.0350
001.601.40.0440	SK 40	32	85	72	da 4 a 32	245.60.0440
001.601.50.0350	SK 50	25	75	60	da 3 a 25	245.48.0350
001.601.50.0440	SK 50	32	75	72	da 4 a 32	245.60.0440

Mandrini portapinze Delta per pinze rif. art.209

Delta collet chucks for collets ref. art.209

Delta Spannzangenhalter für Spannzangen ref. art.209

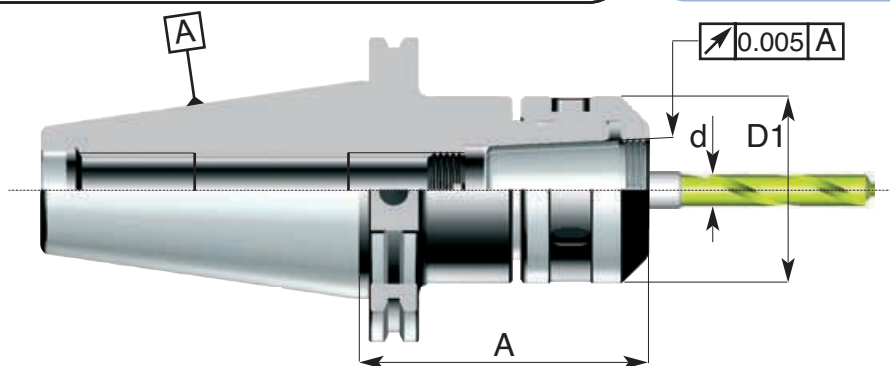
Mandrins porte-pinces Delta pour pinces ref. art.209



DIN 69871/AD

ART: 001.605

standard / standard length



Codice di ord Code	SK	A	D1	Cap. di chiusura Pinza "d" Capacity range "d"	Tipo pinza Collet	Ghiera Nut
001.605.40.0320	SK 40	75	58	da 4 a 20	209.20.	245.02
001.605.40.0440	SK 40	85	73	da 4 a 32	209.30.	245.03
001.605.45.0320	SK 45	75	58	da 4 a 20	209.30	245.03
001.605.45.0440	SK 45	80	73	da 4 a 32	209.30	245.03
001.605.50.0320	SK 50	80	58	da 4 a 20	209.20.	245.02
001.605.50.0440	SK 50	82	73	da 4 a 32	209.30.	245.03

2. MANDRINI a cono ISO DIN 69871

TOOL HOLDERS with ISO cone DIN 69871



Mandrini portapinzine ER DIN 6499 - ghiera standard

Collet chucks ER DIN 6499 - standard nut

Spannzangenhalter ER DIN 6499 - standard Spannmutter

Mandrins porte-pinces ER DIN 6499 - écrou standard

ACCESSORI PER MACCHINE UTENSILI

DIN 69871/AD



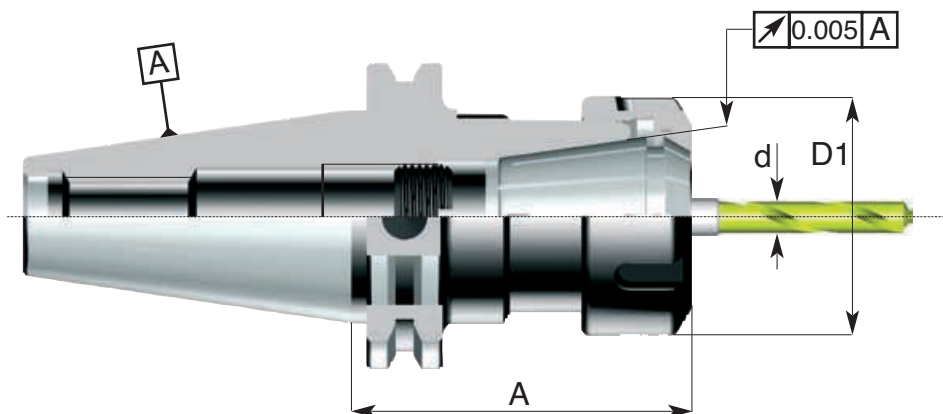
Prebilanciato
Prebalanced
G6.3 / 8000rpm



ART: 001.607

ghiera standard / standard nut

2.
30



Pinze / Collets
pag: 12.6



Ghiere / Nuts
pag: 12.13

Codice di ord Code	SK	ER	A	D1	Cap. di chiusura Pinza "d" Capacity range "d"	Ghiera Nut
001.607.30.0160	SK 30	ER 16	60	28	da 0,5 a 10	245.22.ER16
001.607.30.0162	SK 30	ER 16	100	28	da 0,5 a 10	245.22.ER16
001.607.30.0200	SK 30	ER 20	60	34	da 0,5 a 13	245.25.ER20
001.607.30.0250	SK 30	ER 25	60	42	da 1 a 16	245.32.ER25
001.607.30.0252	SK 30	ER 25	100	42	da 1 a 16	245.32.ER25
001.607.30.0320	SK 30	ER 32	60	50	da 1 a 20	245.40.ER32
001.607.30.0322	SK 30	ER 32	100	50	da 1 a 20	245.40.ER32
001.607.30.0400	SK 30	ER 40	70	63	da 2 a 30	245.50.ER40
001.607.30.0402	SK 30	ER 40	100	63	da 2 a 30	245.50.ER40
001.607.40.0160	SK 40	ER 16	65	28	da 0,5 a 10	245.22.ER16
001.607.40.0162	SK 40	ER 16	120	28	da 0,5 a 10	245.22.ER16
001.607.40.0164	SK 40	ER 16	150	28	da 0,5 a 10	245.22.ER16
001.607.40.0200	SK 40	ER 20	65	34	da 0,5 a 13	245.25.ER20
001.607.40.0202	SK 40	ER 20	120	34	da 0,5 a 13	245.25.ER20
001.607.40.0250	SK 40	ER 25	65	42	da 1 a 16	245.32.ER25
001.607.40.0252	SK 40	ER 25	120	42	da 1 a 16	245.32.ER25
001.607.40.0320	SK 40	ER 32	70	50	da 1 a 20	245.40.ER32
001.607.40.0321	SK 40	ER 32	100	50	da 1 a 20	245.40.ER32
001.607.40.0322	SK 40	ER 32	120	50	da 1 a 20	245.40.ER32
001.607.40.0324	SK 40	ER 32	150	50	da 1 a 20	245.40.ER32
001.607.40.0326	SK 40	ER 32	200	50	da 1 a 20	245.40.ER32
001.607.40.0400	SK 40	ER 40	70	63	da 2 a 30	245.50.ER40
001.607.40.0402	SK 40	ER 40	120	63	da 2 a 30	245.50.ER40
001.607.45.0200	SK 45	ER 20	75	34	da 0,5 a 13	245.25.ER20
001.607.45.0250	SK 45	ER 25	75	42	da 1 a 16	245.32.ER25
001.607.45.0252	SK 45	ER 25	110	42	da 1 a 16	245.32.ER25
001.607.45.0320	SK 45	ER 32	75	50	da 1 a 20	245.40.ER32
001.607.45.0322	SK 45	ER 32	120	50	da 1 a 20	245.40.ER32
001.607.45.0324	SK 45	ER 32	150	50	da 1 a 20	245.40.ER32
001.607.45.0326	SK 45	ER 32	200	50	da 1 a 20	245.40.ER32
001.607.45.0400	SK 45	ER 40	75	63	da 2 a 30	245.50.ER40
001.607.45.0402	SK 45	ER 40	120	63	da 2 a 30	245.50.ER40
001.607.50.0164	SK 50	ER 16	150	28	da 0,5 a 10	245.22.ER16
001.607.50.0250	SK 50	ER 25	75	42	da 1 a 16	245.32.ER25
001.607.50.0252	SK 50	ER 25	120	42	da 1 a 16	245.32.ER25
001.607.50.0320	SK 50	ER 32	75	50	da 1 a 20	245.40.ER32
001.607.50.0322	SK 50	ER 32	120	50	da 1 a 20	245.40.ER32
001.607.50.0324	SK 50	ER 32	150	50	da 1 a 20	245.40.ER32
001.607.50.0400	SK 50	ER 40	75	63	da 2 a 30	245.50.ER40
001.607.50.0402	SK 50	ER 40	120	63	da 2 a 30	245.50.ER40

ACCESSORI PER MACCHINE UTENSILI



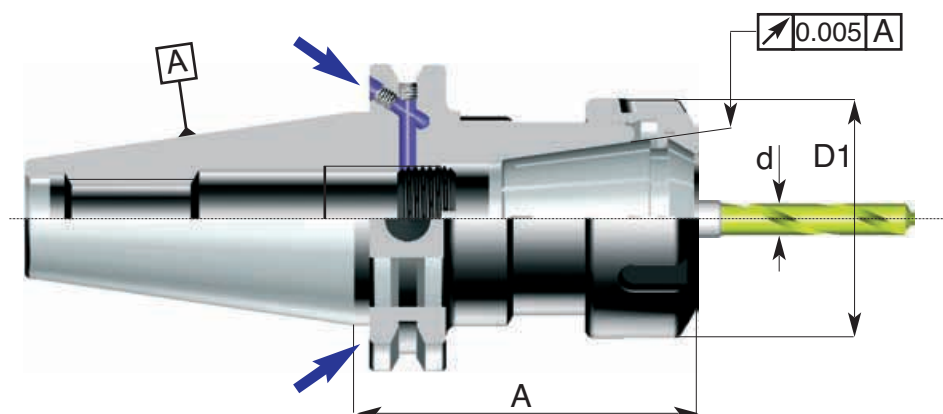
Mandrini portapinze ER DIN 6499 - ghiera standard
 Collet chucks ER DIN 6499 - standard nut
 Spannzangenhalter ER DIN 6499 - standard Spannmutter
 Mandrins porte-pinces ER DIN 6499 - écrou standard

Prebilanciato
 Prebalanced
 G6.3 / 8000rpm



DIN 69871/AD+B

ART: H01.607
 ghiera standard / standard nut



2.
31



Codice di ord Code	SK	ER	A	D1	Cap. di chiusura Pinza "d" Capacity range "d"	Ghiera Nut
H01.607.40.0160	SK 40	ER 16	65	28	da 0,5 a 10	245.22.ER16
H01.607.40.0162	SK 40	ER 16	120	28	da 0,5 a 10	245.22.ER16
H01.607.40.0164	SK 40	ER 16	150	28	da 0,5 a 10	245.22.ER16
H01.607.40.0166	SK 40	ER 16	200	28	da 0,5 a 10	245.22.ER16
H01.607.40.0204	SK 40	ER 20	150	34	da 0,5 a 13	245.25.ER20
H01.607.40.0250	SK 40	ER 25	65	42	da 1 a 16	245.32.ER25
H01.607.40.0252	SK 40	ER 25	120	42	da 1 a 16	245.32.ER25
H01.607.40.0254	SK 40	ER 25	150	42	da 1 a 16	245.32.ER25
H01.607.40.0256	SK 40	ER 25	200	42	da 1 a 16	245.32.ER25
H01.607.40.0320	SK 40	ER 32	70	50	da 1 a 20	245.40.ER32
H01.607.40.0321	SK 40	ER 32	100	50	da 1 a 20	245.40.ER32
H01.607.40.0322	SK 40	ER 32	120	50	da 1 a 20	245.40.ER32
H01.607.40.0324	SK 40	ER 32	150	50	da 1 a 20	245.40.ER32
H01.607.40.0326	SK 40	ER 32	200	50	da 1 a 20	245.40.ER32
H01.607.40.0400	SK 40	ER 40	70	63	da 2 a 30	245.50.ER40
H01.607.40.0401	SK 40	ER 40	100	63	da 2 a 30	245.50.ER40
H01.607.40.0402	SK 40	ER 40	120	63	da 2 a 30	245.50.ER40
H01.607.40.0404	SK 40	ER 40	150	63	da 2 a 30	245.50.ER40
H01.607.40.0406	SK 40	ER 40	200	63	da 2 a 30	245.50.ER40
H01.607.45.0160	SK 45	ER 16	75	28	da 0,5 a 10	245.22.ER16
H01.607.45.0162	SK 45	ER 16	120	28	da 0,5 a 10	245.22.ER16
H01.607.45.0250	SK 45	ER 25	75	42	da 1 a 16	245.32.ER25
H01.607.45.0252	SK 45	ER 25	120	42	da 1 a 16	245.40.ER32
H01.607.45.0320	SK 45	ER 32	75	50	da 1 a 20	245.40.ER32
H01.607.45.0322	SK 45	ER 32	120	50	da 1 a 16	245.40.ER32
H01.607.45.0400	SK 45	ER 40	75	63	da 2 a 30	245.50.ER40
H01.607.50.0164	SK 50	ER 16	120	28	da 0,5 a 10	245.22.ER16
H01.607.50.0166	SK 50	ER 16	200	28	da 0,5 a 10	245.22.ER16
H01.607.50.0250	SK 50	ER 25	75	42	da 1 a 16	245.32.ER25
H01.607.50.0252	SK 50	ER 25	120	42	da 1 a 16	245.32.ER25
H01.607.50.0254	SK 50	ER 25	150	42	da 1 a 16	245.32.ER25
H01.607.50.0320	SK 50	ER 32	75	50	da 1 a 20	245.40.ER32
H01.607.50.0321	SK 50	ER 32	100	50	da 1 a 20	245.40.ER32
H01.607.50.0322	SK 50	ER 32	120	50	da 1 a 20	245.40.ER32
H01.607.50.0324	SK 50	ER 32	150	50	da 1 a 20	245.40.ER32
H01.607.50.0326	SK 50	ER32	200	50	da 1 a 20	245.40.ER32
H01.607.50.0400	SK 50	ER 40	75	63	da 2 a 30	245.50.ER40
H01.607.50.0401	SK 50	ER 40	100	63	da 2 a 30	245.50.ER40
H01.607.50.0402	SK 50	ER 40	120	63	da 2 a 30	245.50.ER40
H01.607.50.0404	SK 50	ER 40	150	63	da 2 a 30	245.50.ER40

2. MANDRINI a cono ISO DIN 69871

TOOL HOLDERS with ISO cone DIN 69871



Mandrini portapinze ER DIN 6499 mini - alta velocità per macchine del legno
Collet chucks ER DIN 6499 mini - high speed for woodworking machines
Spannzangenhalter ER DIN 6499 mini für Holzbearbeitungsmaschinen
Mandrins porte-pinces ER DIN 6499 mini - grande vitesse pour machines à bois

ACCESSORI PER MACCHINE UTENSILI

DIN 69871 / AD

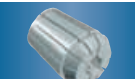
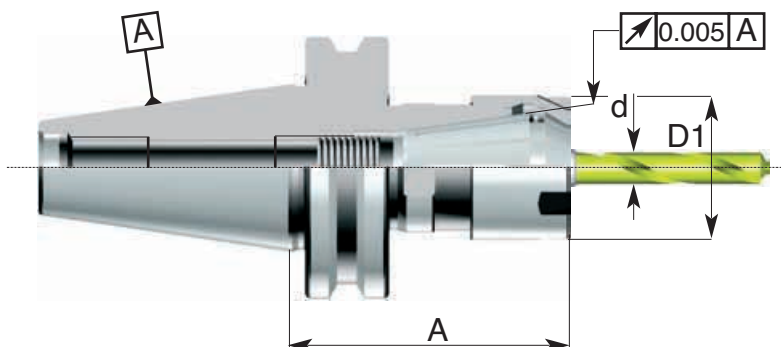


Bilanciatura fine
Fine balancing



ART: 001.607
ghiera mini / mini nut

2.
32



Pinze / Collets
pag: 12.6



Ghiere / Nuts
pag: 12.13

Codice di ord Code	SK	ER	A	D1	Cap. di chiusura Pinza "d" Capacity range "d"	Ghiera Nut	bilanciatura balancing
001.607.30.0160.AVM	SK 30	ER 16	50	22	da 0,5 a 10	245.19.ER16M	G6.3/15000RPM
001.607.30.0200.AVM	SK 30	ER 20	50	28	da 1 a 13	245.24.ER20M	G6.3/15000RPM

Mandrini portapinze ER DIN 6499 - alta velocità per macchine del legno
Collet chucks ER DIN 6499 - high speed for woodworking machines
Spannzangenhalter ER DIN 6499 für Holzbearbeitungsmaschinen
Mandrins porte-pinces ER DIN 6499 - grande vitesse pour machines à bois

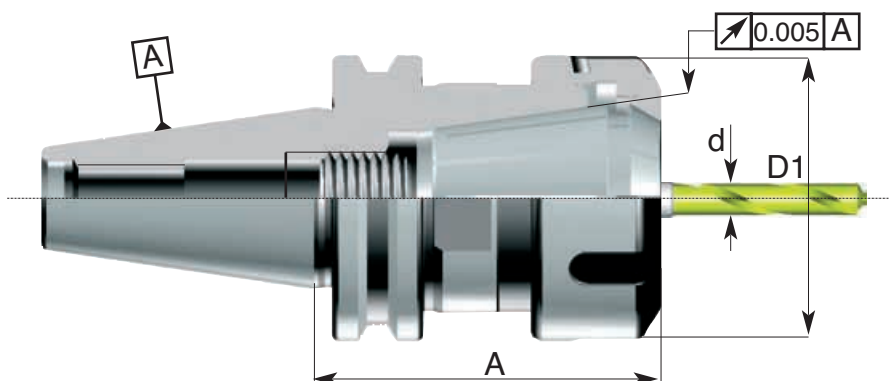
DIN 69871 / AD



Bilanciatura fine
Fine balancing



ART: 001.607
ghiera standard / standard nut



Pinze / Collets
pag: 12.6



Ghiere / Nuts
pag: 12.13

Codice di ord Code	SK	ER	A	D1	Cap. di chiusura Pinza "d" Capacity range "d"	Ghiera Nut	bilanciatura balancing
001.607.25.0250.AV	SK 25	ER 25	50	42	da 1 a 16	245.32.ER25	G6.3/15000RPM
001.607.30.0250.AV	SK 30	ER 25	60	42	da 1 a 16	245.32.ER25	G6.3/15000RPM
001.607.30.0320.AV	SK 30	ER 32	60	50	da 1 a 20	245.40.ER32	G6.3/15000RPM
001.607.30.0400.AV	SK 30	ER 40	65	63	da 2 a 30	245.50.ER40	G6.3/15000RPM
001.607.40.0320.AV	SK 40	ER 32	70	50	da 1 a 20	245.40.ER32	G6.3/15000RPM
001.607.40.0400.AV	SK 40	ER 40	70	63	da 2 a 30	245.50.ER40	G6.3/15000RPM

ACCESSORI PER MACCHINE UTENSILI

Mandrini portapinze ER DIN 6499

Collet chucks ER DIN 6499 - inner nut

Spannzangenhalter ER DIN 6499 - Spannmutter mit Aussengewinde

Mandrins porte-pinces ER DIN 6499 - écrou avec filet extérieur



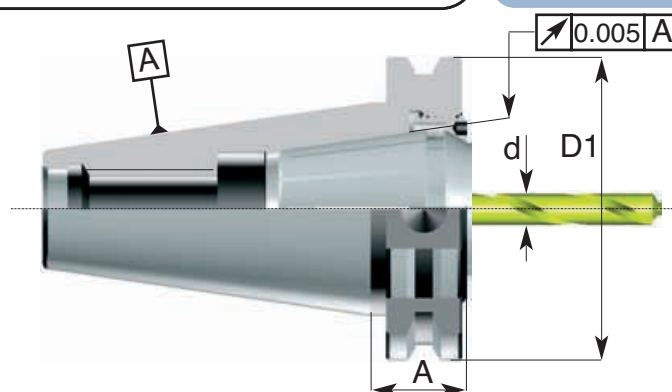
Prebilanciato
Prebalanced
G6.3 / 8000rpm



DIN 69871 / AD

ART: 001.607

ghiera interna / inner nut



2.
33



Pinze / Collets
pag: 12.6



Ghiere / Nuts
pag: 12.13

Codice di ord Code	SK	ER	A	D1	Cap. di chiusura Pinza "d" Capacity range "d"	Ghiera Nut
001.607.40.0320.EC	SK 40	ER 32	21	40	da 1 a 20	245.40.ER32EC
001.607.50.0320.EC	SK 50	ER 32	21	40	da 1 a 20	245.40.ER32EC

Mandrini portapinze ER DIN 6499 - ghiera mini

Collet chucks ER DIN 6499 - mini nut

Spannzangenhalter ER DIN 6499 - mini Spannmutter

Mandrins porte-pinces ER DIN 6499 - écrou mini



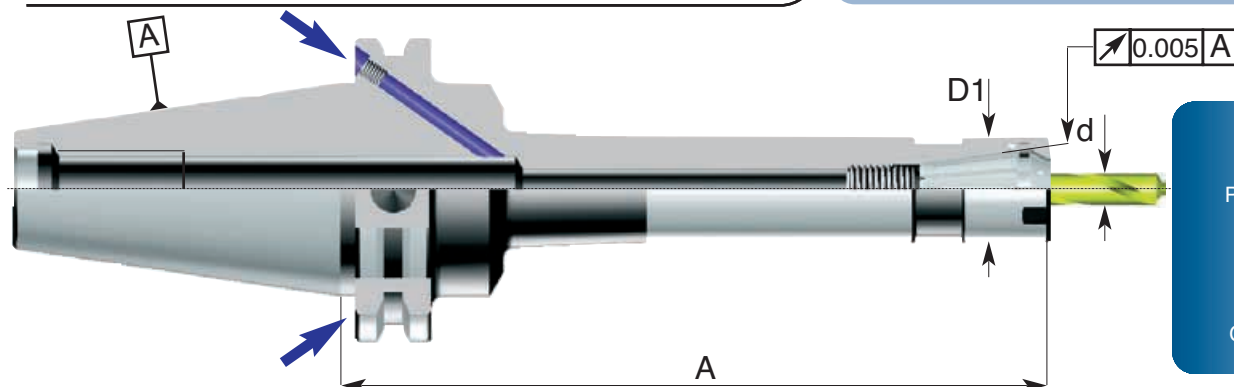
Prebilanciato
Prebalanced
G6.3 / 8000rpm



DIN 69871 / AD+B

ART: H01.607

ghiera mini / mini nut



Pinze / Collets
pag: 12.6



Ghiere / Nuts
pag: 12.13

Codice di ord Code	SK	ER	A	D1	Cap. di chiusura Pinza "d" Capacity range "d"	Ghiera Nut
H01.607.40.0112M	SK 40	ER 11	100	16	da 0,5 a 7	245.13.ER11M
H01.607.40.0114M	SK 40	ER 11	150	16	da 0,5 a 7	245.13.ER11M
H01.607.40.0162M	SK 40	ER 16	100	22	da 0,5 a 10	245.19.ER16M
H01.607.40.0164M	SK 40	ER 16	150	22	da 0,5 a 10	245.19.ER16M
H01.607.40.0252M	SK 40	ER 25	100	35	da 1 a 16	245.24.ER25M
H01.607.40.0254M	SK 40	ER 25	150	35	da 1 a 16	245.24.ER25M
H01.607.50.0164M	SK 50	ER 16	150	22	da 0,5 a 10	245.19.ER16M
H01.607.50.0254M	SK 50	ER 25	150	35	da 1 a 16	245.24.ER25M

2. MANDRINI a cono ISO DIN 69871

TOOL HOLDERS with ISO cone DIN 69871



Cassette con portapinze ER pinze complete di chiave di serraggio

Boxes with ER collet chucks and collets - supplied with wrench

Kassetten mit Spannzangenhalter ER und Spannzangen - geliefert mit Schlüssel

Coffrets avec mandrins à pinces ER et pinces - fournis avec clé

ACCESSORI PER MACCHINE UTENSILI

DIN 69871 / AD



CASSETTE 001...
ART: 001.607...

2.
34



Codice di ord. Code	Mandrino Chuck	SK	Tipo pinza Collets type	Numero pinze Collets nr.	Ø Pinza Ø Collets
001.30.09.ER32	001.60730.0320	ISO 30 DIN 69871/A	ER32	9	4-6-8-10-12-14-16-18-20
001.30.18.ER32	001.60730.0320	ISO 30 DIN 69871/A	ER32	18	da 3 a 20
001.40.09.ER32	001.60740.0320	ISO 40 DIN 69871/A	ER32	9	4-6-8-10-12-14-16-18-20
001.40.18.ER32	001.60740.0320	ISO 40 DIN 69871/A	ER32	18	da 3 a 20
001.40.09.ER40	001.60740.0400	ISO 40 DIN 69871/A	ER40	9	4-6-8-10-12-14-16-18-20
001.40.23.ER40	001.60740.0400	ISO 40 DIN 69871/A	ER40	23	da 4 a 26
001.50.09.ER32	001.60750.0320	ISO 50 DIN 69871/A	ER32	9	4-6-8-10-12-14-16-18-20
001.50.18.ER32	001.60750.0320	ISO 50 DIN 69871/A	ER32	18	da 3 a 20
001.50.09.ER40	001.60750.0400	ISO 50 DIN 69871/A	ER40	9	4-6-8-10-12-14-16-18-20
001.50.23.ER40	001.60750.0400	ISO 50 DIN 69871/A	ER40	23	da 4 a 26

ACCESSORI PER MACCHINE UTENSILI

Mandrini per astucci registrabili e portautensili con gambo a norma DIN 6327

Adaptors for adjustable inserts DIN 6327

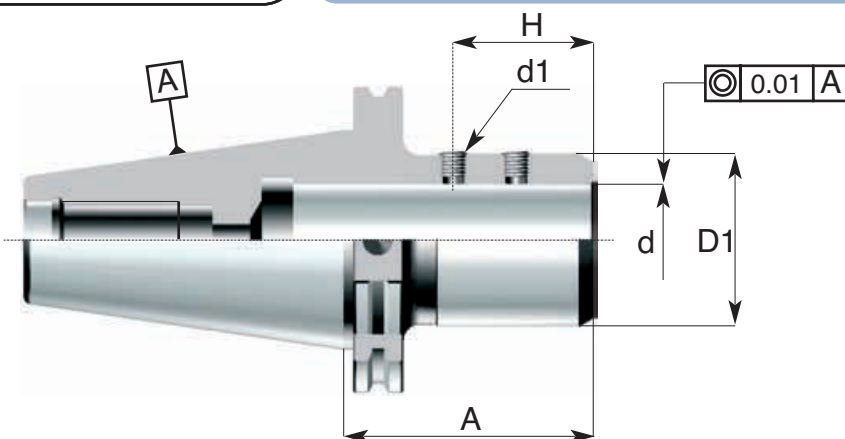
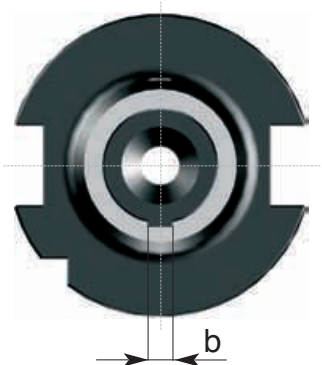
Zwischenhülsen für axialverstellbare Futter DIN 6327

Douilles pour mandrins réglables axialement DIN 6327



DIN 69871 / AD

ART: 001.610



2.
35

Codice di ord Code	SK	d h7	A	D1	H	b C11	Grano di serraggio "d1" Clamping screw "d1"
001.610.40.0200	SK 40	20	70	40	35	5	610.00.0060
001.610.40.0250	SK 40	25	70	40	38	6	610.00.0080
001.610.40.0280	SK 40	28	70	40	38	6	610.00.0080
001.610.40.0360	SK 40	36	115	55	45	8	610.00.0080
001.610.45.0280	SK 45	28	75	45	40	6	610.00.0060
001.610.45.0360	SK 45	36	100	55	50	8	610.00.0080
001.610.50.0280	SK 50	28	80	40	38	6	610.00.0080
001.610.50.0360	SK 50	36	80	50	45	8	610.00.0080
001.610.50.0480	SK 50	48	110	67	57	10	610.00.0100



2. MANDRINI a cono ISO DIN 69871

TOOL HOLDERS with ISO cone DIN 69871



Maschiatori a cambio rapido con compensazione elastica assiale a trazione e pressione
 Quick-change tapping chuck with compensation in compression and tension
 Gewindeschneid- und Schnellwechselfutter mit Ausgleich auf Druck und Zug
 Mandrin à tarauder à changement rapide avec compensation longitudinale et de la traction

ACCESSORI PER MACCHINE UTENSILI

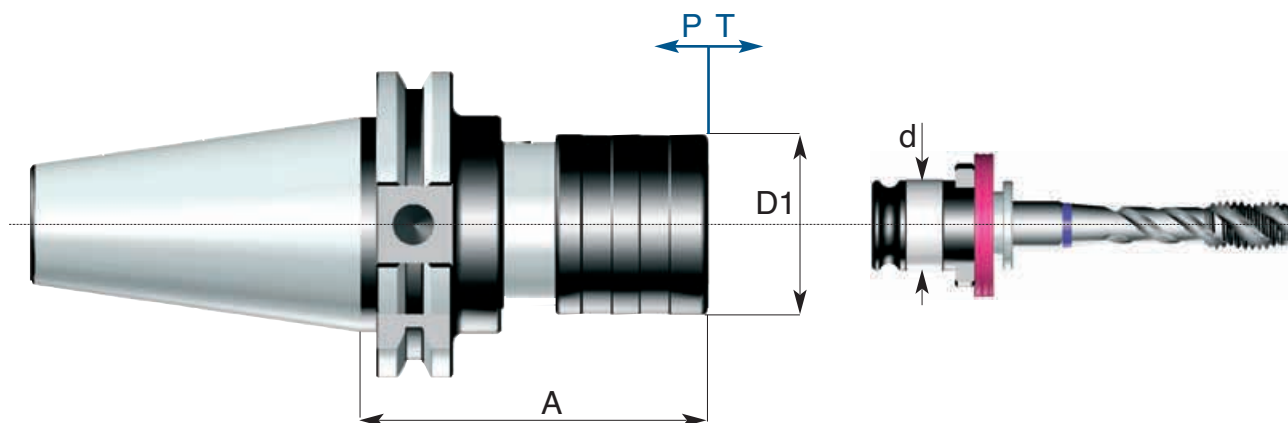


DIN 69871 / A



ART: 001.638

2.
36



Codice di ord Code	SK	A	D1	d	Capacità maschiatore Tapping capacity	Compensazione assiale	
						T Axial compensation	P
001.638.30.1205	SK 30	70	35	19	M3 - M14	5	7
001.638.30.2008	SK 30	90	53	31	M8 - M24	12	13
001.638.40.1205	SK 40	72	35	19	M3 - M14	5	7
001.638.40.2008	SK 40	93	53	31	M8 - M24	12	13
001.638.40.3310	SK 40	145	78	48	M14 - M36	15	20
001.638.45.1205	SK 45	62	35	19	M3 - M14	5	7
001.638.45.2008	SK 45	100	53	31	M8 - M24	12	13
001.638.45.3310	SK 45	135	78	48	M14 - M36	15	20
001.638.50.1205	SK 50	75	35	19	M3 - M14	5	7
001.638.50.2008	SK 50	90	53	31	M8 - M24	12	13
001.638.50.3310	SK 50	130	78	48	M14 - M36	15	20



ACCESSORI PER MACCHINE UTENSILI



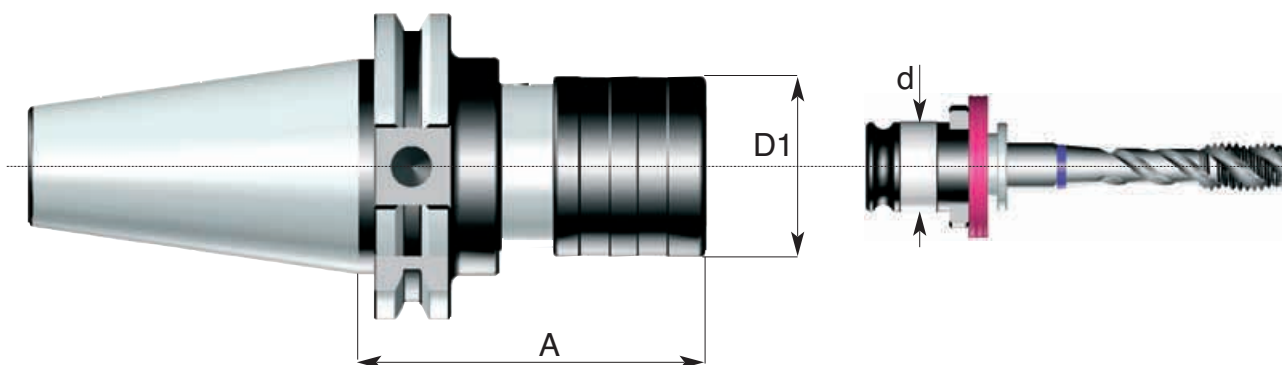
Maschiatori a cambio rapido senza compensazione per maschiatura rigida
 Quick-change tapping chuck without compensation for rigid tapping
 Gewindeschneid- und Schnellwechselfutter ohne Ausgleich für Synchronisation
 Mandrin à tarauder à changement rapid sans compensation pour taraudage synchronisé



DIN 69871/A

ART: 001.648

2.
37



Codice di ord Code	SK	A	D1	d	Capacità maschiatore Tapping capacity
001.648.30.1200	SK 30	70	32	19	M3 - M14
001.648.40.1200	SK 40	70	32	19	M3 - M14
001.648.40.2000	SK 40	80	50	31	M8 - M24
001.648.40.3300	SK 40	118	72	48	M14 - M36
001.648.45.1200	SK 45	75	32	19	M3 - M14
001.648.45.2000	SK 45	100	50	31	M8 - M24
001.648.45.3300	SK 45	150	72	48	M14 - M36
001.648.50.1200	SK 50	75	32	19	M3 - M14
001.648.50.2000	SK 50	90	50	31	M8 - M24
001.648.50.3300	SK 50	110	72	48	M14 - M36



2. MANDRINI a cono ISO DIN 69871

TOOL HOLDERS with ISO cone DIN 69871



Maschiatori a cambio rapido senza comp. elastica assiale con adduzione interna
 Quick-change tapping chuck without compensation with through coolant
 Gewindeschneid- und Schnellwechselfutter ohne Ausgleich mit Kuhlmittelkanale
 Mandrin à tarauder à changement rapid sans compensation avec arrosage central

ACCESSORI PER MACCHINE UTENSILI



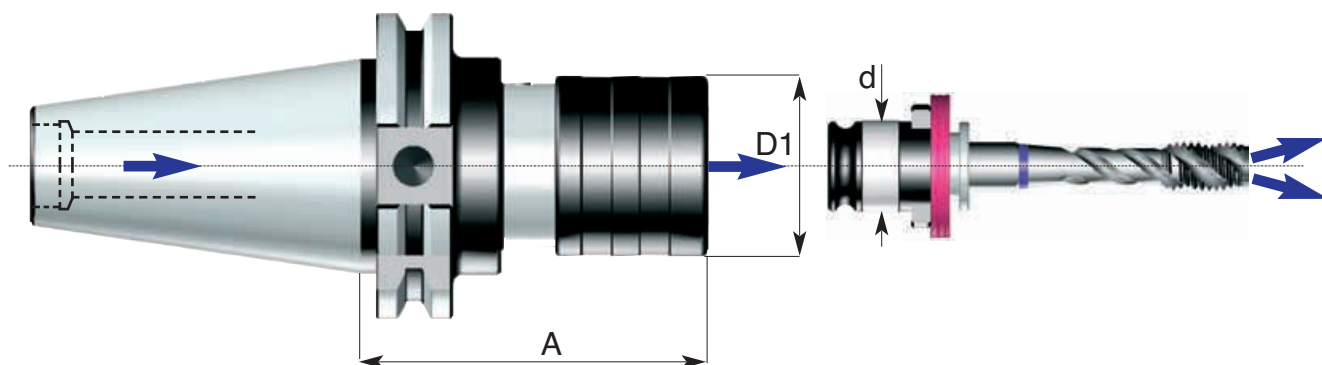
DIN 69871 / AD



FUORI PRODUZIONE

ART: 001.658

2.
38



Codice di ord Code	SK	A	D1	d	Capacità maschiatore Tapping capacity
001.658.30.1200	SK 30	70	32	19	M3 - M14
001.658.30.2000	SK 30	80	50	31	M8 - M24
001.658.40.1200	SK 40	70	32	19	M3 - M14
001.658.40.2000	SK 40	80	50	31	M8 - M24
001.658.40.3300	SK 40	118	72	48	M14 - M36
001.658.45.1200	SK 45	75	32	19	M3 - M14
001.658.50.1200	SK 50	75	32	19	M3 - M14
001.658.50.2000	SK 50	90	50	31	M8 - M24
001.658.50.3300	SK 50	110	72	48	M14 - M36



ACCESSORI PER MACCHINE UTENSILI



Maschiatori con minima comp. elastica ass. per maschiatura rigida con adduzione interna
 Quick-change tapping chuck with min. compensation for rigid tapping - with through coolant
 Gewindeschneid- und Schnellwechselfutter mit min. Ausgl. für Synchron.- mit Kühlmittelkanale
 Mandrin à tarauder à chang. rapid avec min. compens. pour taraud. syncro.-arrosage central

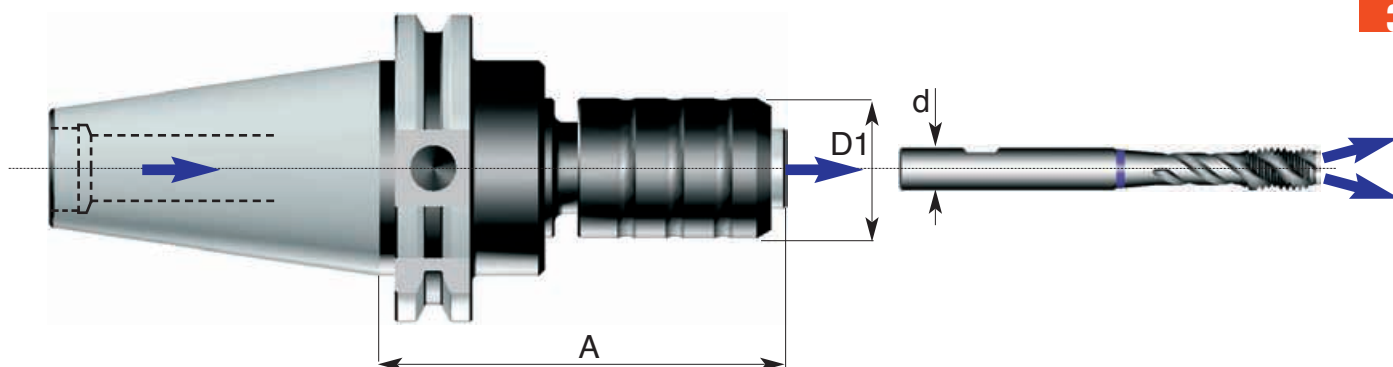
FUORI PRODUZIONE



DIN 69871/AD

ART: 001.668

2.
39



Codice di ord Code	SK	A	D1	d	Compensazione assiale	
					T Axial compensation	P
001.668.40.0060	SK 40	56	20	6	1	0.2
001.668.40.0080	SK 40	61	25	8	1	0.2
001.668.40.0100	SK 40	65	29	10	1	0.2
001.668.40.0120	SK 40	70	32	12	1	0.2
001.668.40.0160	SK 40	74	38	16	1	0.2
001.668.40.0200	SK 40	82	43	20	1	0.2
001.668.50.0060	SK 50	56	20	6	1	0.2
001.668.50.0080	SK 50	61	25	8	1	0.2
001.668.50.0100	SK 50	65	29	10	1	0.2
001.668.50.0120	SK 50	70	32	12	1	0.2
001.668.50.0160	SK 50	74	38	16	1	0.2
001.668.50.0200	SK 50	82	43	20	1	0.2

CARATTERISTICHE TECNICHE

-Per il fissaggio di maschi con codolo standardizzato secondo norma DIN 1835 B e DIN 6535 HB

-Pressione massima del fluido refrigerante 50 bar

STANDARD FEATURES

- For taps with standard shank DIN 1835 B and DIN 6535 HB

- Coolant max. pressure 50 bar

2. MANDRINI a cono ISO DIN 69871

TOOL HOLDERS with ISO cone DIN 69871



Cilindro di collaudo certificato

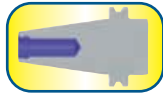
Test arbors with test certificate

Kontrolldorne mit Prüfungszeugnis

Mandrins de contrôle avec certificat de bon fonctionnement

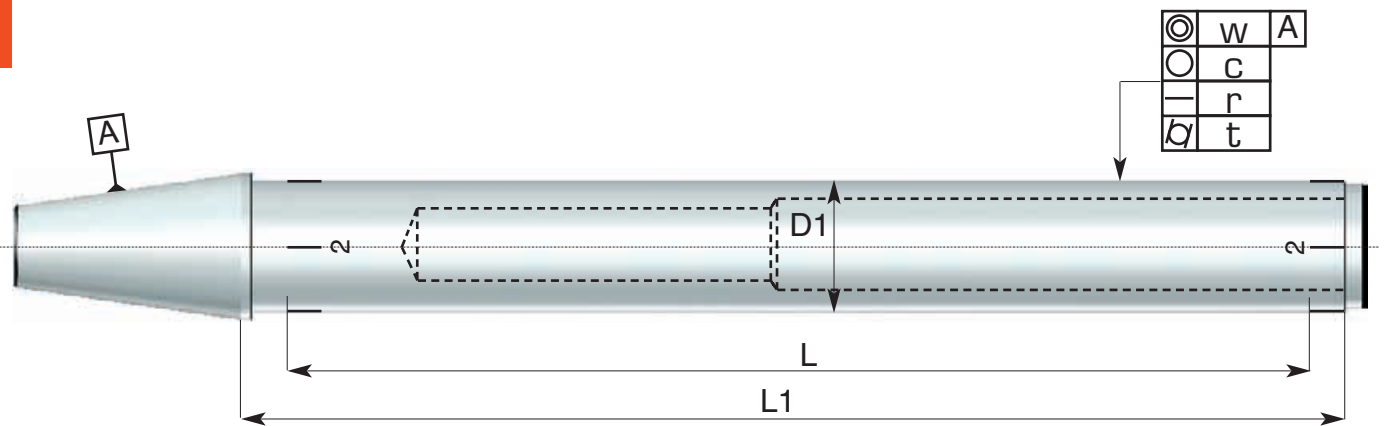
ACCESSORI PER MACCHINE UTENSILI

DIN 69871 / A



ART: 001.808

2.
40



Codice di ord Code	SK	D1 H5	L	L1	w	c	r	t
001.808.40.0320	SK 40	32	200	228	0.003	0.003	0.003	0.003
001.808.40.0400	SK 40	40	300	338	0.003	0.003	0.003	0.003
001.808.45.0400	SK 45	40	300	338	0.003	0.003	0.003	0.003
001.808.45.0630	SK 45	63	500	538	0.004	0.004	0.003	0.003
001.808.50.0400	SK 50	40	300	338	0.003	0.003	0.003	0.003
001.808.50.0630	SK 50	63	500	538	0.004	0.004	0.003	0.003

ACCESSORI PER MACCHINE UTENSILI



Attacchi base per sistema modulare tipo "VARILOCK"

Attachments for modular system - type "VARILOCK"

Grundaufnahmen für Modulare Werkzeugsystem - Type "VARILOCK"

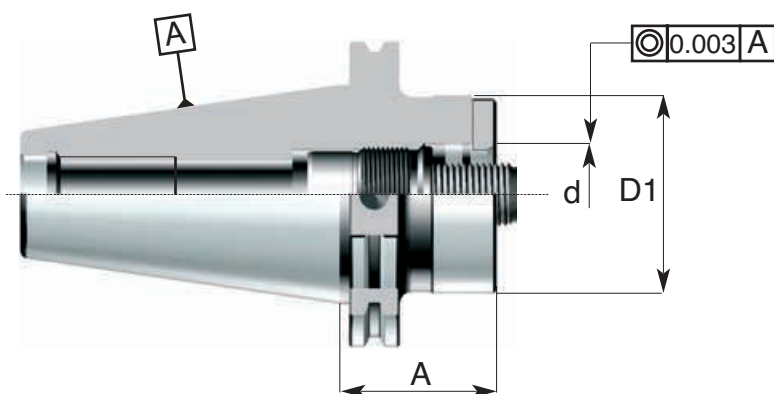
Attachements pour système modulaire - type "VARILOCK"



DIN 69871/AD

ART: 001.VAR

2.
41



Codice di ord Code	SK	A	D1	d H5	Vite Screw	Ghiera Nut
001.VAR.40.0500	SK 40	27	50	27	VAR.00.0500.20	VAR.00.0500.10
001.VAR.40.0502	SK 40	50	50	27	VAR.00.0500.20	VAR.00.0500.10
001.VAR.40.0630	SK 40	50	63	32	VAR.00.0630.20	VAR.00.0800.10
001.VAR.45.0502	SK 45	50	50	27	VAR.00.0500.20	VAR.00.0500.10
001.VAR.45.0632	SK 45	50	63	32	VAR.00.0800.20	VAR.00.0800.10
001.VAR.45.0802	SK 45	50	80	32	VAR.00.0800.20	VAR.00.0800.10
001.VAR.50.0500	SK 50	27	50	27	VAR.00.0500.20	VAR.00.0500.10
001.VAR.50.0502	SK 50	50	50	27	VAR.00.0500.20	VAR.00.0500.10
001.VAR.50.0630	SK 50	27	63	32	VAR.00.0800.20	VAR.00.0800.10
001.VAR.50.0632	SK 50	50	63	32	VAR.00.0800.20	VAR.00.0800.10
001.VAR.50.0800	SK 50	27	80	32	VAR.00.0800.20	VAR.00.0800.10
001.VAR.50.0802	SK 50	50	80	32	VAR.00.0800.20	VAR.00.0800.10
001.VAR.50.0804	SK 50	90	80	32	VAR.00.0800.20	VAR.00.0800.10



2. MANDRINI a cono ISO DIN 69871

TOOL HOLDERS with ISO cone DIN 69871



Attacchi base per sistema modulare tipo "VARILOCK"
 Attachments for modular system - type "VARILOCK"
 Grundaufnahmen für Modulare Werkzeugsystem - Type "VARILCKK"
 Attachements pour système modulaire - type "VARILOCK"

ACCESSORI PER MACCHINE UTENSILI

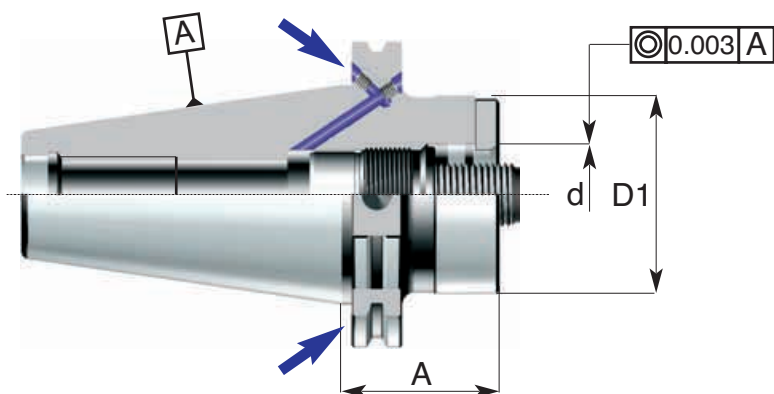
DIN 69871/AD+B



ART: H01.VAR



2.
42



Codice di ord Code	SK	A	D1	d H5	Vite Screw	Ghiera Nut
H01.VAR.40.0500	SK 40	27	50	27	VAR.00.0500.20	VAR.00.0500.10
H01.VAR.40.0630	SK 40	50	63	32	VAR.00.0630.20	VAR.00.0800.10
H01.VAR.45.0502	SK 45	50	50	27	VAR.00.0500.20	VAR.00.0500.10
H01.VAR.45.0632	SK 45	50	63	32	VAR.00.0800.20	VAR.00.0800.10
H01.VAR.45.0802	SK 45	50	80	32	VAR.00.0800.20	VAR.00.0800.10
H01.VAR.50.0502	SK 50	50	50	27	VAR.00.0500.20	VAR.00.0500.10
H01.VAR.50.0632	SK 50	50	63	32	VAR.00.0800.20	VAR.00.0800.10
H01.VAR.50.0802	SK 50	50	80	32	VAR.00.0800.20	VAR.00.0800.10





delta

www.delta-spa.com



PORTAUTENSILI A CONO ISO DIN 2088 E MORSE PER MACCHINE UTENSILI TRADIZIONALI
CONTROPUNTE ROTANTI E FISSE - MANDRINI MASCHIATORI A CAMBIO RAPIDO
TOOLHOLDERS FOR MILLING AND BORING MACHINES WITH ISO AND MORSE
PRECISION RUNNING TAIL CENTERS - QUICK CHANGE TAPPING CHUCKS

PORTAUTENSILI A CONO ISO DIN 69871/A-B, CAT E MAS BT 403 PER CENTRI DI LATO
A CONTROLLO NUMERICO
TOOLHOLDERS FOR CNC MACHINERY WITH ISO DIN 69871/A-B, CAT AND MAS BT 403

PORTAUTENSILI CON ATTACCO HSK DIN 69893 FORMA A -
TOOLHOLDERS WITH HSK TAPER DIN 69893 FORM A

MANDRINO HYDRO DELTA A CHIUSURA IDRAULICA
HYDRO DELTA CHUCKS HYDRAULIC CLAMP

PORTAUTENSILI PER TORNI A CONTROLLO NUMERICO DIN 69880 UDI 3
TOOLHOLDERS FOR NC LATHES DIN 69880 UDI 3

MANDRINI MACCHINA PRINCIPALI - PORTAUTENSILI SPECIALI A DISEGNO CLIENTE
MACHINE MAIN SPINDLES - SPECIAL TOOLHOLDERS ON CUSTOMER'S REQUEST