
14.6

- Tiranti vari
Pull studs



TIRANTI
Pull Studs

14



TIRANTI
Pull Studs



DIN 69872-B non forato / solid / non percèe	ISO 30	001.30.0100	Pag. 14.6
	ISO 40	H01.40.0100	
	ISO 45	H01.45.0100	
	ISO 50	H01.50.0100	
	ISO 60	H01.60.0100	
DIN 69872-A forato / with coolant hole / percèe	ISO 40	001.40.0100	14.6
	ISO 45	001.45.0100	
	ISO 50	001.50.0100	
	ISO 60	001.60.0100	
DIN 69872-A prolungato / extended / prolongée DELTA	ISO 30	001.30.2100	14.7
	ISO 30	001.30.3100	
	ISO 40	001.40.2100	
	ISO 40	001.40.3100	
	ISO 40	001.40.4100	
	ISO 45	001.45.3100	
	ISO 45	001.45.4100	
	ISO 45	001.45.5100	
	ISO 50	001.50.3100	
	ISO 50	001.50.4100	
ISO 50	001.50.5100		
DIN 69872-B BALLUF / with ID-HOLE	ISO 40	H01.40.0100.B	14.8
	ISO 45	H01.45.0100.B	
	ISO 50	H01.50.0100.B	
DIN 69872-A prolungato per / extended for / prolongée pour DELTA MAS BT	ISO 40	001.40.U100	14.8
DIN 69872-A forato per / with coolant hole for / percèe pour MAS BT	ISO 40	001.40.3100.10	
	ISO 40	001.40.4100.10	
ISO 7388/2-A UNI 8487-A non forato / solid / non percèe	ISO 40	H01.40.U100	14.9
	ISO 45	H01.45.U100	
	ISO 50	H01.50.U100	
ISO 7388/2-A UNI 8487-A forato / with coolant hole / percèe	ISO 40	001.40.U100	14.9
	ISO 45	001.45.U100	
	ISO 50	001.50.U100	
ISO 7388/2-B UNI 8487-B non forato / solid / non percèe	ISO 40	H01.40.0102	14.10
	ISO 45	H01.45.0102	
	ISO 50	H01.50.0102	
ISO 7388/2-B UNI 8487-B forato / with coolant hole / percèe	ISO 40	001.40.0102	14.10
	ISO 45	001.45.0102	
	ISO 50	001.50.0102	
ISO 7388/2 UNI 8487-B prolungato / extended / prolongée DELTA	ISO 40	001.40.2102	14.11
	ISO 40	001.40.3102	
	ISO 40	001.40.4102	
	ISO 45	001.45.3102	
	ISO 45	001.45.4102	
	ISO 45	001.45.5102	
	ISO 50	001.50.3102	
	ISO 50	001.50.4102	
ISO 50	001.50.5102		
ISO 7388/2-B non forato per / solid for / non percèe pour MAZAK MAS BT	ISO 40	H01.40.0102.10	14.12
ISO 7388/2-B forato per / with coolant hole for / percèe pour MAZAK MAS BT	ISO 40	001.40.0102.10	
ISO 7388/2-B prolungato per / extended for / prolongée pour DELTA MAS BT	ISO 40	001.40.3102.10	
	ISO 40	001.40.4102.10	

MAS BT non forato / solid / non percèe	ISO 30	060.30.0100	Pag.
	ISO 30	060.30.0102	
	ISO 35	061.35.0100	
	ISO 35	061.35.0102	
	ISO 40	063.40.0100	
	ISO 40	063.40.0102	
	ISO 40	063.40.0104	
	ISO 50	065.50.0100	
	ISO 50	065.50.0102	
MAS BT forato / with coolant hole / percèe	ISO 50	065.50.0104	14.13
	ISO 30	060.30.0100.F	
	ISO 30	060.30.0102.F	
	ISO 40	063.40.0100.F	
	ISO 40	063.40.0102.F	
	ISO 40	063.40.0104.F	
	ISO 50	065.50.0100.F	
	ISO 50	065.50.0102.F	
	ISO 50	065.50.0104.F	
MAS BT prolungato / extended / prolongèe DELTA	ISO 50	065.50.0100.OR	14.14
	ISO 50	065.50.0102.OR	
	ISO 30	060.30.2100	
	ISO 30	060.30.2102	
	ISO 30	060.30.3100	
	ISO 30	060.30.3102	
	ISO 35	061.35.2100	
	ISO 35	061.35.2102	
	ISO 35	061.35.3100	
	ISO 35	061.35.3102	
	ISO 40	063.40.3100	
	ISO 40	063.40.3102	
	ISO 40	063.40.3104	
	ISO 40	063.40.4100	
	ISO 40	063.40.4102	
	ISO 40	063.40.4104	
	ISO 50	065.50.3100	
	ISO 50	065.50.3102	
	ISO 50	065.50.3104	
	ISO 50	065.50.4100	
ISO 50	065.50.4102		
ISO 50	065.50.4104		
ISO 50	065.50.5100		
ISO 50	065.50.5102		
ISO 50	065.50.5104		
Adattatore / adapter / adaptateur MAS BT => DIN 69871 - CAT	ISO 40	063.40.0100.10	14.15
	ISO 40	063.40.0102.10	
	ISO 40	063.40.0104.10	
Adatt. prolung. / extended adapt. / adapt. prolongèe MAS BT => DIN 69871 - CAT	ISO 40	063.40.3100.10	14.15
	ISO 40	063.40.3102.10	
	ISO 40	063.40.3104.10	
	ISO 40	063.40.4100.10	
	ISO 40	063.40.4102.10	
JIS 6339 non forato / solid / non percèe	ISO 40	JIS.40.0100	14.16
	ISO 50	JIS.50.0100	
JIS 6339 forato / with coolant hole / percèe	ISO 40	JIS.40.0100.F	14.16
	ISO 50	JIS.50.0100.F	
Adatt. prol. / extended adapt. / adapt. prolongèe ISO 40 DIN 69871=>DIN 2080	ISO 40	054.40.4100	14.17
Adattatore / adapter / adaptateur ISO 40 DIN 69871=>DIN 2080	ISO 40	054.40.0100	
Adattatore / adapter / adaptateur ISO 40 MAS BT=>DIN 2080	ISO 40	054.40.0100.10	
Adattatore / adapter / adaptateur ISO 40 MAS BT=>DIN 2080	ISO 40	063.40.2080	
Adattatore / adapter / adaptateur ISO 50 DIN 69871=>DIN 2080	ISO 50	001.50.2080	
Adattatore / adapter / adaptateur ISO 50 MAS BT=>DIN 2080	ISO 50	065.50.2080	
Adattatore / adapter / adaptateur ISO 50 DIN 69871-MAS BT=>DIN 2080	ISO 50	055.50.0100	14.18
ATC	ISO 50	ATC.50.0100	

			Pag.
BERARDI	ISO50	045.50.0100	14.19
SPECIALE ISO 50	ISO50	COL.50.0100	
BRAGONZI	ISO 40	BRG.40.0100	14.20
CASTEL	ISO 50	CAS.50.0100	
CB FERRARI	ISO 40 ISO 50 ISO 45	010.40.0100 010.50.0100 F01.45.0100	14.21
CB FERRARI prolungato per / extended for / prolongée pour DELTA	ISO 45 ISO 45 ISO 45	F01.45.3100 F01.45.4100 F01.45.5100	
CB FERRARI	ISO 40	F01.40.0100	
CORREA	ISO 50	COR.50.0100	
CERUTTI	ISO 50	082.50.0100	14.23
CHIRON	ISO 30	CHI.30.0100	
CHIRON prolungato per / extended for / prolongée pour DELTA	ISO 30	CHI.30.2100	
CHIRON prolungato per / extended for / prolongée pour DELTA	ISO 30	CHI.30.3100	
CINCINNATI	ISO 40 ISO 40	CIN.40.0100 CIN.40.0100.10	14.24
KITAMURA CNC	ISO 35 ISO 35	CNC.35.0100 CNC.35.0104	
KITAMURA CNC prolungato per / extended for / prolongée pour DELTA	ISO 35 ISO 35	CNC.35.2104 CNC.35.3104	
COMAU	ISO 50	91900132	14.25
FAMUP	ISO 30 ISO 40 ISO 40	FAM.30.0100 FAM.40.0100 FAM.40.0100.10	14.26
FAMUP prolungato per / extended for / prolongée pour DELTA	ISO 30 ISO 30 ISO 40 ISO 40	FAM.30.2100 FAM.30.3100 FAM.40.3100.10 FAM.40.4100.10	
FIL	ISO 50	FIL.50.0100	
GIMA	ISO 40	GIMA.40.0100	
GLOBE	ISO50	GLO.50.0100	14.28
GLOBE adattatore / adapter / adaptateur DIN69871 => DIN 2080	ISO50	GLO.50.2080	
GNUTTI	ISO 30 ISO 40	GNU.30.0100 GNU.40.0100	14.29
OLIVETTI HORIZON 400	ISO 40	001.40.0105	
OLIVETTI HORIZON 400 prolungato per / extended for / prolongée pour DELTA	ISO 40	001.40.2105	
OLIVETTI HORIZON 400 prolungato per / extended for / prolongée pour DELTA	ISO 40	001.40.3105	
OLIVETTI HORIZON 400 prolungato per / extended for / prolongée pour DELTA	ISO 40	001.40.4105	
OLIVETTI HORIZON 1000	ISO 50	001.50.0105	14.30
JOBS	ISO 40	JOB.40.0100	14.31
MANDELLI	ISO 50 ISO 50	026.50.0100.01 026.50.0100.10	
MANDELLI	ISO 45	024.45.0100	14.32
MANDELLI QUASAR	ISO 50	025.50.0100	
MAUT	ISO 50 ISO 40	MAUT.50.0100 048.40.0100	14.33
MAZAK	ISO 40 ISO 50	048.40.0100.10 050.50.0100	
MAZAK	ISO 30 ISO 40	060.30.0102.20 063.40.0104.20	

			Pag.
MCM PROGRESS 1 - CONNECTION	ISO 45	B39.45.0100	14.35
MITSUI-SEIKI	ISO 40	M63.40.0100	
	ISO 40	M63.40.0104	
MITSUI-SEIKI	ISO 50	K65.50.0100	14.36
MIVAL	ISO 40	MIV.016.40.0100	
	ISO 40	MIV.016.40.0100.10	
MODENAMATIC	ISO 50	15.001	14.37
MORISEIKI	ISO 40	063.40.0104.10	
NOVAR	ISO 50	NOV.50.0100	14.38
OKUMA	ISO 40	OK1.40.0100	
OLIVETTI AUCTOR	ISO 40	018.40.0100	14.39
OLIVETTI AUCTOR	ISO 40	019.40.0100	
OLIVETTI VDI 2814/A	ISO 45	021.45.0100	14.40
OLIVETTI HORIZON 12-13-14	ISO 50	022.50.0100	14.41
OMV	ISO 40	OMV.40.0100	
PAMA	ISO 50	031.50.0100	14.42
	ISO 60	031.60.0100	
PBR	ISO 50	PBR.50.0100	14.43
PEAR CAT 30	ISO 30	047.30.0100	14.44
PEAR CAT 30 prolungato per / extended for / prolongée pour DELTA	ISO 30	047.30.2100	
PEAR CAT 30 prolungato per / extended for / prolongée pour DELTA	ISO 30	047.30.3100	
PRISMA CW 500 HECKERT	ISO 50	A01.50.0100	
	ISO 40	073.40.0100	
	ISO 40	073.40.0100.10	14.45
RAMBAUDI	ISO 40	073.40.0100.20	
	ISO 40	073.40.0110	
	ISO 50	075.50.0100	
	ISO 40	073.40.0100	
RIELLO	ISO 30	RIE.30.0100	14.46
RIGIVA	ISO 40	RIG.40.0100	
SACHMAN	ISO 50	A15.50.0100	14.47
SECMU	ISO 50	SEC.50.0100	
SECMU	ISO 50	SEC.50.0102	14.48
	ISO 50	SEC.50.0102	
	ISO 30	STA.30.0100	
STAMA	ISO 30	STA.30.2100	14.49
	ISO 30	STA.30.3100	
SAJO	ISO 45	SAJ.45.0100	14.50
TOS	ISO 50	TOS.50.0100	14.51
	ISO 50	TOS.50.0100.10	
TOYOTA	ISO 40	TOY.40.0100	
TRAUB TUC 400 P	ISO 40	TRU.40.0100	14.52
BIESSE	ISO 30	BIS.30.0100	14.53
	ISO 30	BIS.30.0102	
SCM-MORBIDELLI	ISO 30	ALB.30.0100	14.54
ALBERTI	ISO 30	SCM.30.0100	
CMS	ISO 30	CMS.30.0102	14.55
ESSETEAM	ISO 30	ESS.30.0100	

14. TIRANTI

PULL STUDS - ANZUGSBOLZEN - TIRETTES



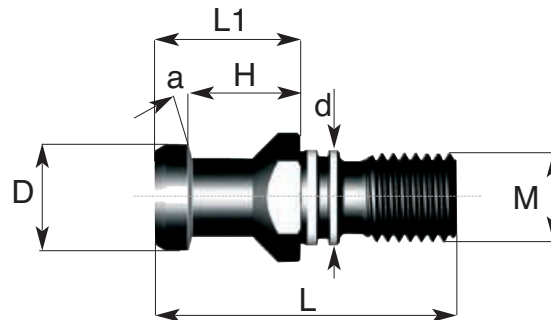
ACCESSORI PER MACCHINE UTENSILI

Tirante DIN 69872/B non forato

Pull stud DIN 69872/B without coolant hole
Anzugsbolzen DIN 69872/B ohne Bohrung
Tirette DIN 69872/B non percée



DIN 69872/B



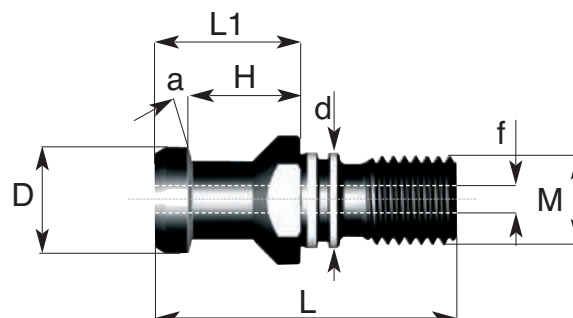
Codice di ord Code	SK	M	d g6	H	a	D	L	L1	f	Chiave Key
001.30.0100	SK 30	M12	13	19	15°	13	44	24	-	14
H01.40.0100	SK 40	M16	17	20	15°	19	54	26	-	19
H01.45.0100	SK 45	M20	21	23	15°	23	65	30	-	24
H01.50.0100	SK 50	M24	25	25	15°	28	74	34	-	30
H01.60.0100	SK 60	M30	32	30	15°	40	90	40	-	46

Tirante DIN 69872/A forato

Pull stud DIN 69872/A with coolant hole
Anzugsbolzen DIN 69872/A mit Bohrung
Tirette DIN 69872/A percée



DIN 69872/A

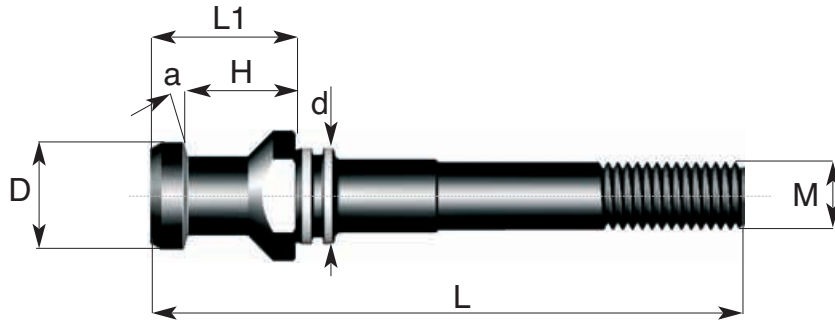


Codice di ord Code	SK	M	d g6	H	a	D	L	L1	f	Chiave Key
001.30.0100.F	SK 30	M12	13	19	15°	13	44	24	4	14
001.40.0100	SK 40	M16	17	20	15°	19	54	26	7	19
001.45.0100	SK 45	M20	21	23	15°	23	65	30	9.5	24
001.50.0100	SK 50	M24	25	25	15°	28	74	34	11.5	30
001.60.0100	SK 60	M30	32	30	15°	40	90	40	14	46

ACCESSORI PER MACCHINE UTENSILI

Tirante DIN 69872/A prolungato
Pull stud DIN 69872/A extended size
Anzugsbolzen DIN 69872/A lange Ausführung
Tirette DIN 69872/A prolongée

DIN 69872/A



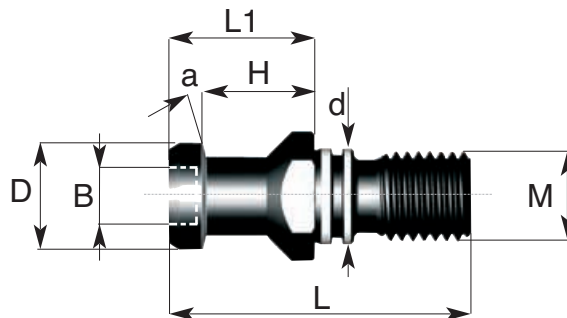
14.
7

Codice di ord Code	SK	M	d g6	H	a	D	L	L1	f	Chiave Key
001.30.2100	SK 30	M10	13	19	15°	13	87	24	-	14
001.30.3100	SK 30	M12	13	19	15°	13	89	24	-	14
001.40.2100	SK 40	M10	17	20	15°	19	108	26	-	19
001.40.3100	SK 40	M12	17	20	15°	19	101	26	-	19
001.40.4100	SK 40	M16	17	20	15°	19	106	26	-	19
001.45.3100	SK 45	M12	21	23	15°	23	118	30	-	24
001.45.4100	SK 45	M16	21	23	15°	23	120	30	-	24
001.45.5100	SK 45	M20	21	23	15°	23	130	30	-	24
001.50.3100	SK 50	M12	25	25	15°	28	144	34	-	30
001.50.4100	SK 50	M16	25	25	15°	28	144	34	-	30
001.50.5100	SK 50	M20	25	25	15°	28	149	34	-	30

Tirante DIN 69872/B con sede BALLUFF

Pull stud DIN 69872/B with ID-hole
Anzugsbolzen DIN 69872/B mit Sitz BALLUFF
Tirette DIN 69872/B avec siège BALLUFF

DIN 69872/B BALLUFF



Codice di ord Code	SK	M	d g6	H	a	D	L	L1	B	Chiave Key
H01.40.0100.B	SK 40	M16	17	20	15°	19	54	26	10	19
H01.45.0100.B	SK 45	M20	21	23	15°	23	65	30	10	24
H01.50.0100.B	SK 50	M24	25	25	15°	28	74	34	12	30

14. TIRANTI

PULL STUDS - ANZUGSBOLZEN - TIRETTES



Tirante DIN 69872/A forato per MAS BT

Pull stud DIN 69872/A with coolant hole for MAS BT

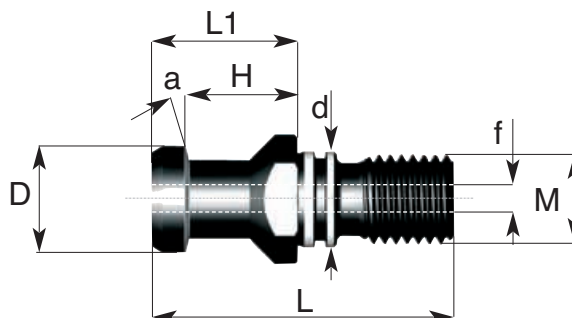
Anzugsbolzen DIN 69872/A mit Bohrung für MAS BT

Tirette DIN 69872/B percée pour MAS BT

ACCESSORI PER MACCHINE UTENSILI



DIN 69872/B



Codice di ord Code	SK	M	d g6	H	a	D	L	L1	f	Chiave Key
001.40.0100.10	SK 40	M16	17	23	15°	19	54	29	7	19

Tirante DIN 69872/A prolungato per MAS BT

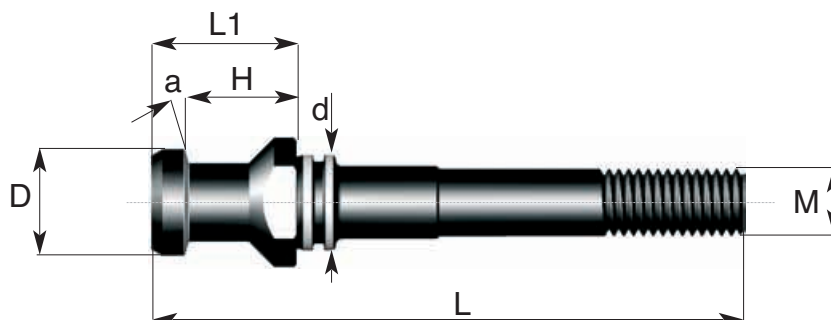
Pull stud DIN 69872/A extended size for MAS BT

Anzugsbolzen DIN 69872/A für MAS BT lange Ausführung

Tirette DIN 69872/B prolongée pour MAS BT



DIN 69872/A

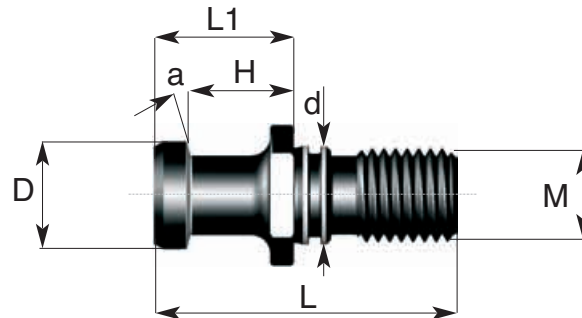


Codice di ord Code	SK	M	d g6	H	a	D	L	L1	f	Chiave Key
001.40.3100.10	SK 40	M12	17	23	15°	19	109	29	-	19
001.40.4100.10	SK 40	M16	17	23	15°	19	113	29	-	19

14.
8

ACCESSORI PER MACCHINE UTENSILI

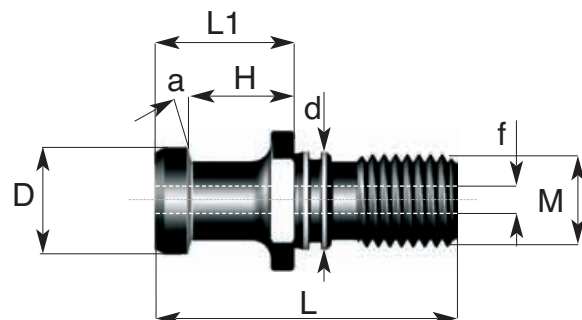

Tirante ISO 7388/2- A UNI 8487/A non forato
Pull stud ISO 7388/2-A UNI 8487/A without coolant hole
Anzugsbolzen ISO 7388/2-A UNI 8487/A ohne Bohrung
Tirette ISO 7388/2-A UNI 8487/A non percée

ISO 7388/2-A UNI 8487/A

14.
9

Codice di ord Code	SK	M	d g6	H	a	D	L	L1	f	Chiave Key
H01.40.U100	SK 40	M16	17	20	15°	19	54	26	-	19
H01.45.U100	SK 45	M20	21	23	15°	23	65	30	-	24
H01.50.U100	SK 50	M24	25	25	15°	28	74	34	-	30



Tirante ISO 7388/2-A UNI 8487/A forato
Pull stud ISO 7388/2-A UNI 8487/A with coolant hole
Anzugsbolzen ISO 7388/2-A UNI 8487/A mit Bohrung
Tirette ISO 7388/2-A UNI 8487/A percée

ISO 7388/2-A UNI 8487/A


Codice di ord Code	SK	M	d g6	H	a	D	L	L1	f	Chiave Key
001.40.U100	SK 40	M16	17	20	15°	19	54	26	7	19
001.45.U100	SK 45	M20	21	23	15°	23	65	30	9.5	24
001.50.U100	SK 50	M24	25	25	15°	28	74	34	11.5	30

14. TIRANTI

PULL STUDS - ANZUGSBOLZEN - TIRETTES



ACCESSORI PER MACCHINE UTENSILI

Tirante ISO 7388/2-B UNI 8487-B non forato

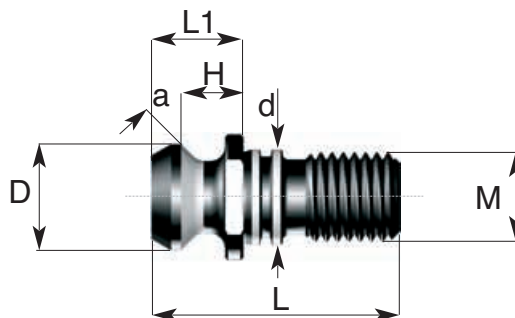
Pull stud ISO 7388/2-B UNI 8487-B without coolant hole

Anzugsbolzen ISO 7388/2-B UNI 8487-B ohne Bohrung

Tirette ISO 7388/2-B UNI 8487-B non percée



ISO 7388/2-B UNI 8487-B



Codice di ord Code	SK	M	d g6	H	a	D	L	L1	f	Chiave Key
H01.40.0102	SK 40	M16	17	11.15	45°	18.95	44.5	16.4	-	19
H01.45.0102	SK 45	M20	21	14.85	45°	24.05	56	20.95	-	24
H01.50.0102	SK 50	M24	25	17.95	45°	29.1	65.5	25.55	-	30

Tirante ISO 7388/2-B UNI 8487-B forato

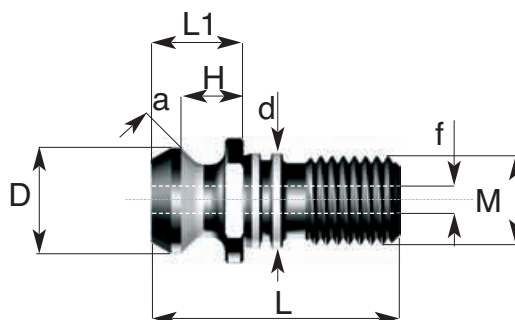
Pull stud ISO 7388/2-B UNI 8487-B with coolant hole

Anzugsbolzen ISO 7388/2-B UNI 8487-B mit Bohrung

Tirette ISO 7388/2-B UNI 8487-B percée



ISO 7388/2-B UNI 8487-B



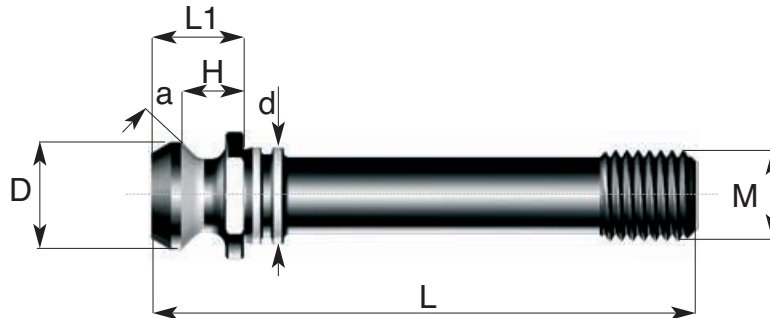
Codice di ord Code	SK	M	d g6	H	a	D	L	L1	f	Chiave Key
001.30.0102	SK 30	M12	12.5	8.15	45°	13.35	34	11.8	-	14
001.40.0102	SK 40	M16	17	11.15	45°	18.95	44.5	16.4	7.35	19
001.45.0102	SK 45	M20	21	14.85	45°	24.05	56	20.95	9.25	24
001.50.0102	SK 50	M24	25	17.95	45°	29.1	65.5	25.55	11.55	30

ACCESSORI PER MACCHINE UTENSILI



Tirante ISO 7388/2-B UNI 8487-B prolungato
 Pull stud ISO 7388/2-B UNI 8487-B extended size
 Anzugsbolzen ISO 7388/2-B UNI 8487-B lange Ausführung
 Tirette ISO 7388/2-B UNI 8487-B prolongée

ISO 7388/2-B UNI 8487-B



14.
11

Codice di ord Code	SK	M	d g6	H	a	D	L	L1	f	Chiave Key
001.40.2102	SK 40	M10	17	11.15	45°	18.95	91.4	16.4	-	19
001.40.3102	SK 40	M12	17	11.15	45°	18.95	91.4	16.4	-	19
001.40.4102	SK 40	M16	17	11.15	45°	18.95	96.4	16.4	-	19
001.45.3102	SK 45	M12	21	14.85	45°	24.05	108.95	20.95	-	24
001.45.4102	SK 45	M16	21	14.85	45°	24.05	110.95	20.95	-	24
001.45.5102	SK 45	M20	21	14.85	45°	24.05	120.95	20.95	-	24
001.50.3102	SK 50	M12	25	17.95	45°	29.1	135.55	25.55	-	30
001.50.4102	SK 50	M16	25	17.95	45°	29.1	135.55	25.55	-	30
001.50.5102	SK 50	M20	25	17.95	45°	29.1	140.55	25.55	-	30

14. TIRANTI

PULL STUDS - ANZUGSBOLZEN - TIRETTES



Tirante ISO 7388/2-B per MAZAK

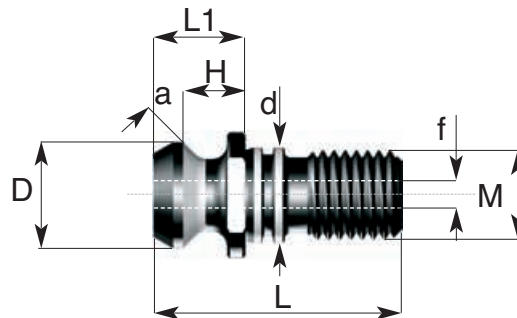
Pull stud ISO 7388/2-B for MAZAK machines

Anzugsbolzen ISO 7388/2-B für Maschinen MAZAK

Tirette ISO 7388/2-B pour machines MAZAK

ACCESSORI PER MACCHINE UTENSILI

ISO 7388/2-B MAZAK



Codice di ord Code	SK	M	d g6	H	a	D	L	L1	f	Chiave Key
H01.40.0102.10	SK 40	M16	17	14.1	45°	18.95	44.5	19.1	-	19
001.40.0102.10	SK 40	M16	17	14.1	45°	18.95	44.5	19.1	7.35	19

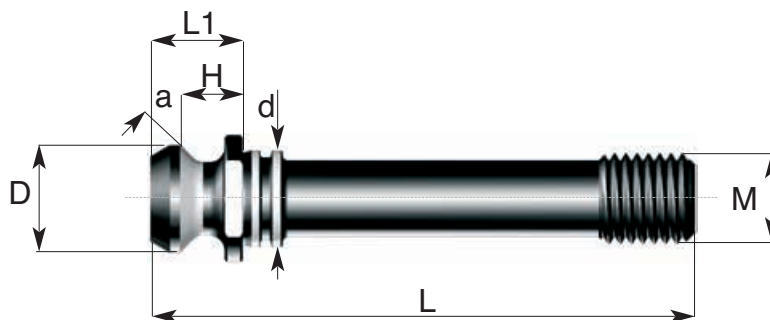
Tirante ISO 7388/2-B prolungato

Pull stud ISO 7388/2-B extended size

Anzugsbolzen ISO 7388/2-B lange Ausführung

Tirette ISO 7388/2-B prolongée

ISO 7388/2-B



Codice di ord Code	SK	M	d g6	H	a	D	L	L1	f	Chiave Key
001.40.3102.10	SK 40	M16	17	14.1	45°	18.95	94.5	19.1	-	19
001.40.4102.10	SK 40	M16	17	14.1	45°	18.95	99.1	19.1	-	19

ACCESSORI PER MACCHINE UTENSILI

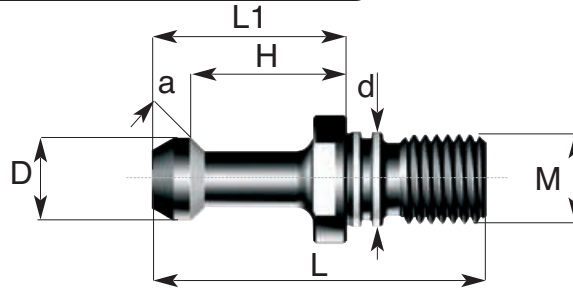
Tirante MAS BT non forato

Pull stud MAS BT without coolant hole

Anzugsbolzen MAS BT ohne Bohrung

Tirette MAS BT non percée

MAS BT



14.
13

Codice di ord Code	SK	M	d g6	H	a	D	L	L1	f	Chiave Key
060.30.0100	SK 30	M12	12.5	18	45°	11	43	23	-	13
060.30.0102	SK 30	M12	12.5	18	30°	11	43	23	-	13
061.35.0100	SK 35	M12	13	22.5	45°	13.7	53	28	-	17
061.35.0102	SK 35	M12	13	22.5	30°	13.7	53	28	-	17
063.40.0100	SK 40	M16	17	28	45°	15	60	35	-	19
063.40.0102	SK 40	M16	17	28	30°	15	60	35	-	19
063.40.0104	SK 40	M16	17	28	90°	15	60	35	-	19
065.50.0100	SK 50	M24	25	35	45°	23	85	45	-	30
065.50.0102	SK 50	M24	25	35	30°	23	85	45	-	30
065.50.0104	SK 50	M24	25	35	90°	23	85	45	-	30

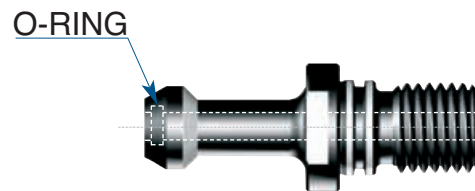
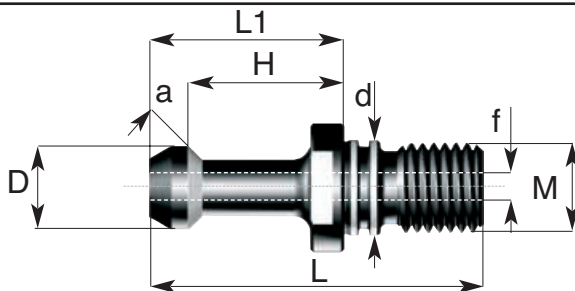
Tirante MAS BT forato

Pull stud MAS BT with coolant hole

Anzugsbolzen MAS BT mit Bohrung

Tirette MAS BT percée

MAS BT



065.50.....OR

Codice di ord Code	SK	M	d g6	H	a	D	L	L1	f	Chiave Key
060.30.0100.F	SK 30	M12	12.5	18	45°	11	43	23	3	13
060.30.0102.F	SK 30	M12	12.5	18	30°	11	43	23	3	13
063.40.0100.F	SK 40	M16	17	28	45°	15	60	35	4	19
063.40.0102.F	SK 40	M16	17	28	30°	15	60	35	4	19
063.40.0104.F	SK 40	M16	17	28	90°	15	60	35	4	19
065.50.0100.F	SK 50	M24	25	35	45°	23	85	45	6	30
065.50.0102.F	SK 50	M24	25	35	30°	23	85	45	6	30
065.50.0104.F	SK 50	M24	25	35	90°	23	85	45	6	30
065.50.0100.OR	SK 50	M24	25	35	45°	23	85	45	6	30
065.50.0102.OR	SK 50	M24	25	35	60°	23	85	45	6	30

14. TIRANTI

PULL STUDS - ANZUGSBOLZEN - TIRETTES



Tirante MAS BT prolungato

Pull stud MAS BT extended size

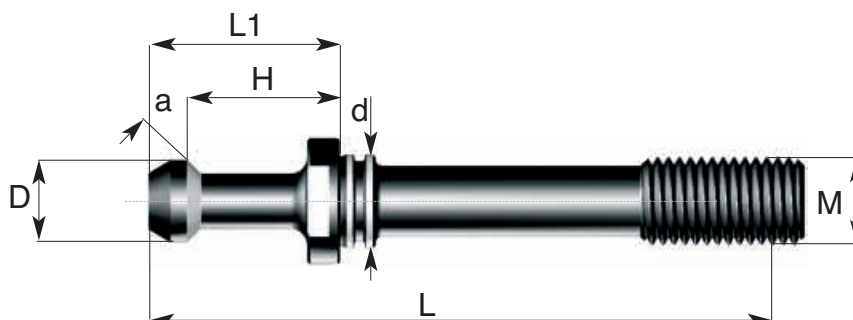
Anzugsbolzen MAS BT lange Ausführung

Tirette MAS BT prolongée

ACCESSORI PER MACCHINE UTENSILI



MAS BT



Codice di ord Code	SK	M	d g6	H	a	D	L	L1	f	Chiave Key
060.30.2100	SK 30	M10	12.5	18	45°	11	86	23	-	13
060.30.2102	SK 30	M10	12.5	18	30°	11	86	23	-	13
060.30.3100	SK 30	M12	12.5	18	45°	11	90	23	-	13
060.30.3102	SK 30	M12	12.5	18	30°	11	90	23	-	13
061.352100	SK 35	M10	13	22.5	45°	13.7	95	28	-	17
061.35.2102	SK 35	M10	13	22.5	30°	13.7	95	28	-	17
061.35.3100	SK 35	M12	13	22.5	45°	13.7	103	28	-	17
061.35.3102	SK 35	M12	16	22.5	30°	13.7	103	28	-	17
063.40.3100	SK 40	M12	17	28	45°	15	120	35	-	19
063.40.3102	SK 40	M12	17	28	30°	15	120	35	-	19
063.40.3104	SK 40	M12	17	28	90°	15	120	35	-	19
063.40.4100	SK 40	M16	17	28	45°	15	120	35	-	19
063.40.4102	SK 40	M16	17	28	30°	15	120	35	-	19
063.40.4104	SK 40	M16	17	28	90°	15	120	35	-	19
065.50.3100	SK 50	M12	25	35	45°	23	155	45	-	30
065.50.3102	SK 50	M12	25	35	30°	23	155	45	-	30
065.50.3104	SK 50	M12	25	35	90°	23	155	45	-	30
065.50.4100	SK 50	M16	25	35	45°	23	153	45	-	30
065.50.4102	SK 50	M16	25	35	30°	23	153	45	-	30
065.50.4104	SK 50	M16	25	35	90°	23	153	45	-	30
065.50.5100	SK 50	M20	25	35	45°	23	158	45	-	30
065.50.5102	SK 50	M20	25	35	30°	23	158	45	-	30
065.50.5104	SK 50	M20	25	35	90°	23	158	45	-	30

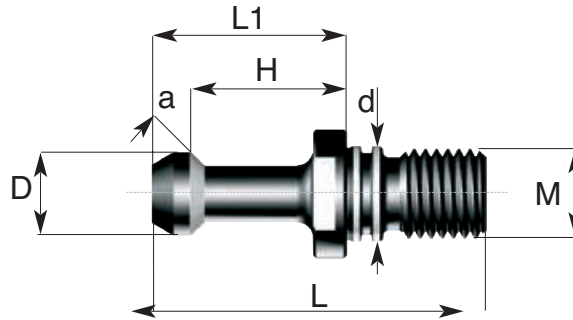
14.
14

ACCESSORI PER MACCHINE UTENSILI

Tirante adattatore da MAS BT a DIN 69871 e CAT
Adapter from MAS BT to DIN 69871 and CAT
Adapter von MAS BT zu DIN 69871 und CAT
Adaptateur de MAS BT à DIN 69871 et CAT



MAS BT



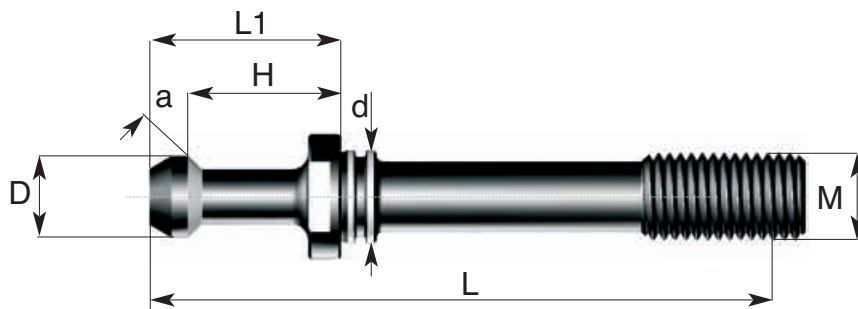
14.
15

Codice di ord Code	SK	M	d g6	H	a	D	L	L1	f	Chiave Key
063.40.0100.10	SK 40	M16	17	25	45°	15	57	32	-	19
063.40.0102.10	SK 40	M16	17	25	30°	15	57	32	-	19
063.40.0104.10	SK 40	M16	17	25	90°	15	57	32	-	19



Adattatore prolungato da MAS BT a DIN 69871 e CAT
Adapter from MAS BT to DIN 69871 and CAT extended size
Adapter von MAS BT zu DIN 69871 und CAT lange Ausführung
Adaptateur prolongé de MAS BT à DIN 69871 et CAT

MAS BT



Codice di ord Code	SK	M	d g6	H	a	D	L	L1	f	Chiave Key
063.40.3100.10	SK 40	M16	17	25	45°	15	117	32	-	19
063.40.3102.10	SK 40	M16	17	25	30°	15	117	32	-	19
063.40.3104.10	SK 40	M16	17	25	90°	15	117	32	-	19
063.40.4100.10	SK 40	M16	17	25	45°	15	112	32	-	19
063.40.4102.10	SK 40	M16	17	25	30°	15	112	32	-	19
063.40.4104.10	SK 40	M16	17	25	90°	15	112	32	-	19

14. TIRANTI

PULL STUDS - ANZUGSBOLZEN - TIRETTES



ACCESSORI PER MACCHINE UTENSILI

Tirante JIS 6339 non forato

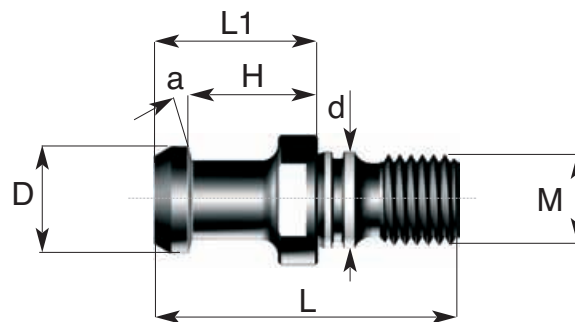
Pull stud JIS 6339 without coolant hole

Anzugsbolzen JIS 6339 ohne Bohrung

Tirette JIS 6339 non percée



JIS 6339



Codice di ord Code	SK	M	d g6	H	a	D	L	L1	f	Chiave Key
JIS.40.0100	SK 40	M16	17	23	15°	19	54	29	-	19
JIS.50.0100	SK 50	M24	25	25	15°	28	74	34	-	30

Tirante JIS 6339 forato

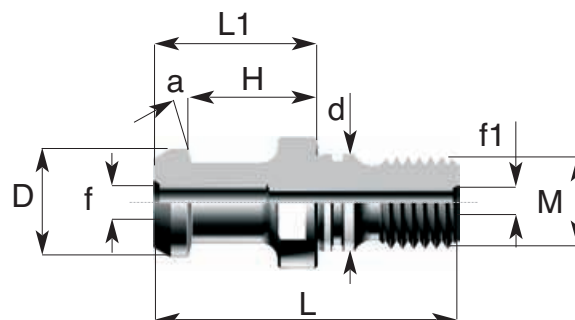
Pull stud JIS 6339 with coolant hole

Anzugsbolzen JIS 6339 mit Bohrung

Tirette JIS 6339 percée



JIS 6339



Codice di ord Code	SK	M	d g6	H	a	D	L	L1	f	f1	Chiave Key
JIS.40.0100.F	SK 40	M16	17	23	15°	19	54	29	5.5	4	19
JIS.50.0100.F	SK 50	M24	25	25	15°	28	74	34	9.75	-	30

14,
16

ACCESSORI PER MACCHINE UTENSILI



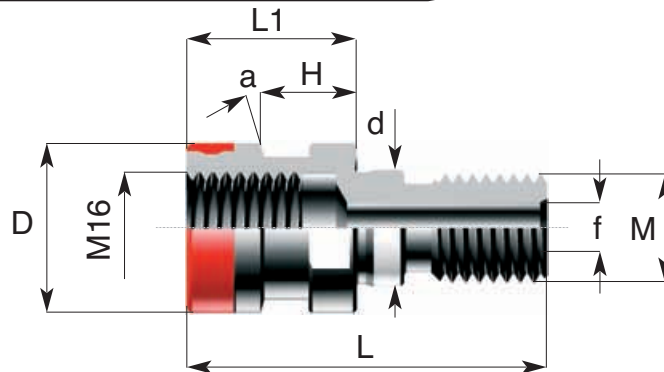
Tirante adattatore da DIN 69871-MAS BT a DIN 2080

Adapter from DIN 69871-MAS BT to DIN 2080

Adapter von DIN 69871-MAS BT zu DIN 2080

Adaptateur de DIN 69871-MAS BT à DIN 2080

ADATTATORE ISO 40



14.
17

Codice di ord Code	SK	M	d g6	H	a	D	L	L1	f	Chiave Key
054.40.0100	SK 40	M16	17	13.6	15°	25	53	25	7	22
054.40.4100	SK 40	M16	17	16.6	15°	25	105	28	7	22
054.40.0100.10	SK 40	M16	17	16.6	15°	25	56	28	7	22



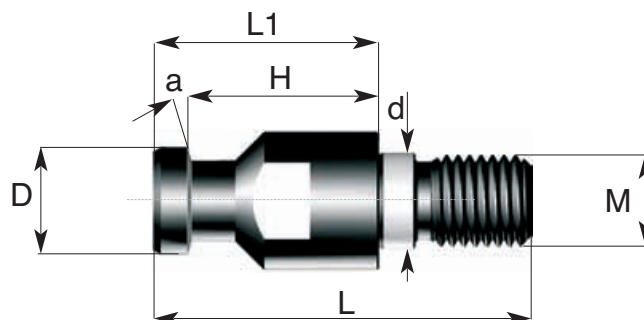
Tirante adattatore da DIN 69871-MAS BT a DIN 2080

Adapter from DIN 69871-MAS BT to DIN 2080

Adapter von DIN 69871-MAS BT zu DIN 2080

Adaptateur de DIN 69871-MAS BT à DIN 2080

ADATTATORE



Codice di ord Code	SK	M	d g6	H	a	D	L	L1	f	Chiave Key
001.40.2080 (69871)	SK 40	M16	17	45	15°	19	79	51	-	19
063.40.2080 (BT)	SK 40	M16	17	53	45°	15	85	60	-	12
001.50.2080 (69871)	SK 50	M24	25	50	15°	28	99	59	-	30
065.50.2080 (BT)	SK 50	M24	25	60	45°	23	110	70	-	30

14. TIRANTI

PULL STUDS - ANZUGSBOLZEN - TIRETTES



Tirante adattatore da DIN 69871-MAS BT a DIN 2080

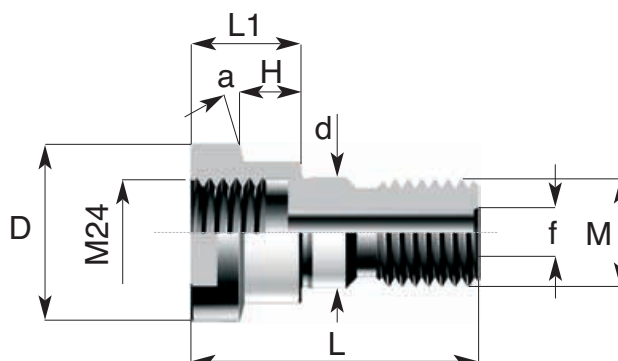
Adapter from DIN 69871-MAS BT to DIN 2080

Adapter von DIN 69871-MAS BT zu DIN 2080

Adaptateur de DIN 69871-MAS BT à DIN 2080

ACCESSORI PER MACCHINE UTENSILI

ADATTATORE ISO 50



Codice di ord Code	SK	M	d g6	H	a	D	L	L1	f	Chiave Key
055.50.0100	SK 50	M24	25	14	15°	40	65	25	10.2	32

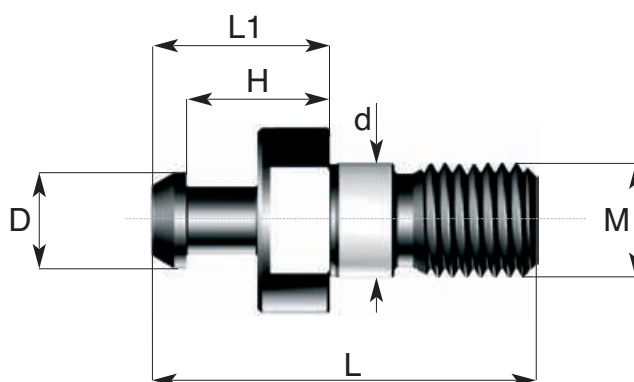
Tirante per macchine ATC ISO 50

Pull stud for ATC ISO 50 machines

Anzugsbolzen für Maschinen ATC ISO 50

Tirette pour machines ATC ISO 50

ATC



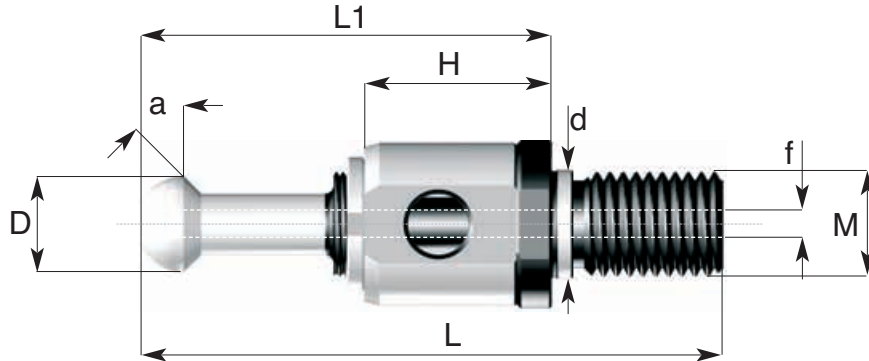
Codice di ord Code	SK	M	d g6	H	a	D	L	L1	f	Chiave Key
ATC.50.0100	SK 50	M24	25	30.2	-	20	81	37.4	-	30

ACCESSORI PER MACCHINE UTENSILI



Tirante per macchine BERARDI MTC 120 / 130
Pull stud for BERARDI MTC 120 / 130 machines
Anzugsbolzen für Maschinen BERARDI MTC 120 / 130
Tirette pour machines BERARDI MTC 120 / 130

BERARDI



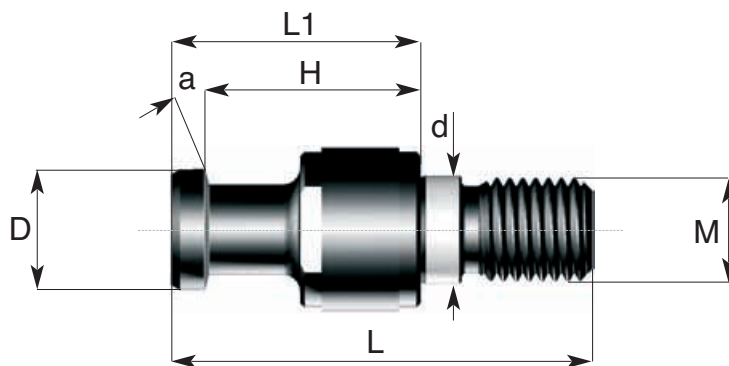
14.
19

Codice di ord Code	SK	M	d g6	H	a	D	L	L1	f	Chiave Key
045.50.0100	SK 50	M24	25	50	45°	22	variabile	variabile	4	a settore



Tirante per macchine ISO 50
Pull stud for ISO 50 machines
Anzugsbolzen für Maschinen ISO 50
Tirette pour machines ISO 50

SPECIALE



Codice di ord Code	SK	M	d g6	H	a	D	L	L1	f	Chiave Key
COL.50.0100	SK 50	M24	25	50.2	15°	28	100	58	-	30

14. TIRANTI

PULL STUDS - ANZUGSBOLZEN - TIRETTES



Tirante per alesatrice BRAGONZI

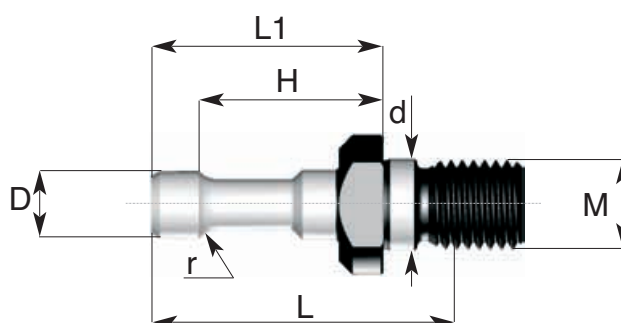
Pull stud for BRAGONZI boring machine

Anzugsbolzen für BRAGONZI Bohrwerk

Tirette pour aléseuse BRAGONZI

ACCESSORI PER MACCHINE UTENSILI

BRAGONZI



Codice di ord Code	SK	M	d g6	H	r	D	L	L1	f	Chiave Key
BRG.40.0100	SK 40	M16	16.4	33	4	12	66.5	41.5	-	20

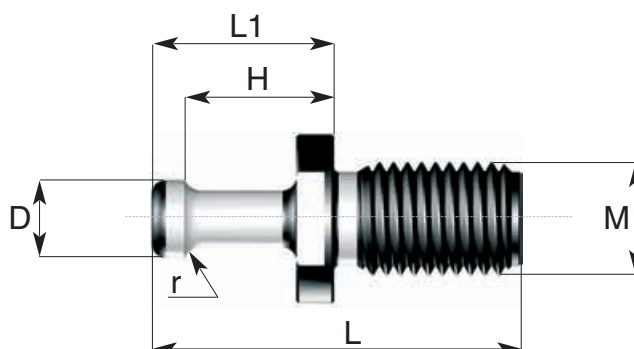
Tirante per macchine CASTEL

Pull stud for CASTEL machines

Anzugsbolzen für Maschinen CASTEL

Tirette pour machines CASTEL

CASTEL



Codice di ord Code	SK	M	d g6	H	r	D	L	L1	f	Chiave Key
CAS.50.0100	SK 50	M24	-	32	4	16.5	79	39	-	32

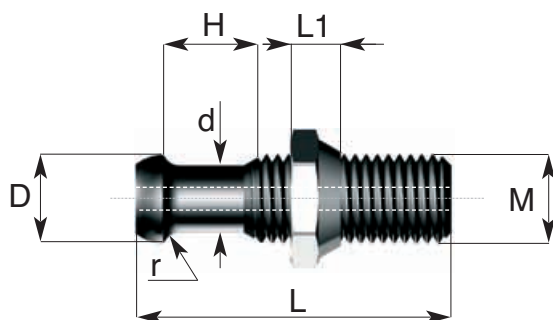
14,
20

ACCESSORI PER MACCHINE UTENSILI

Tirante per macchine CB FERRARI
Pull stud for CB FERRARI machines
Anzugsbolzen für Maschinen CB FERRARI
Tirette pour machines CB FERRARI



CB FERRARI



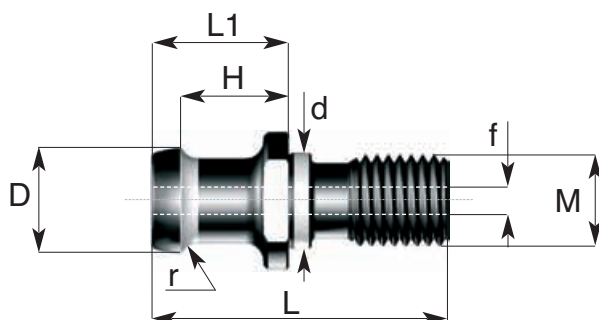
14.
21

Codice di ord Code	SK	M	d g6	H	r	D	L	L1	f	Chiave Key
010.40.0100	SK 40	M16	12	18	3.2	16	57	9	5	22
010.50.0100	SK 50	M24	18.5	20	4	23	70	9	5	32



Tirante per macchine CB FERRARI
Pull stud for CB FERRARI machines
Anzugsbolzen für Maschinen CB FERRARI
Tirette pour machines CB FERRARI

CB FERRARI



Codice di ord Code	SK	M	d g6	H	r	D	L	L1	f	Chiave Key
F01.45.0100	SK 45	M20	21	23.5	4.25	23	65	30	9.5	24

14. TIRANTI

PULL STUDS - ANZUGSBOLZEN - TIRETTES



Tirante per macchine CB FERRARI

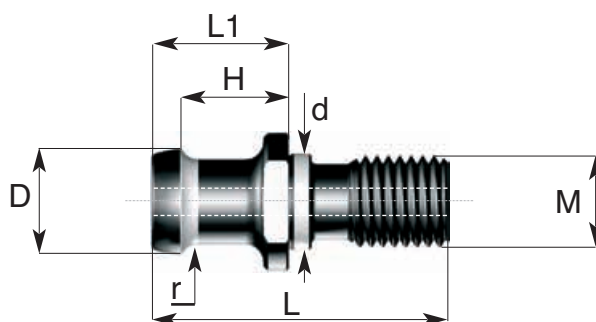
Pull stud for CB FERRARI machines

Anzugsbolzen für Maschinen CB FERRARI

Tirette pour machines CB FERRARI

ACCESSORI PER MACCHINE UTENSILI

CB FERRARI



Codice di ord Code	SK	M	d g6	H	r	D	L	L1	f	Chiave Key
F01.40.0100	SK 40	M16	17	20.31	-	19	54	26	75	19

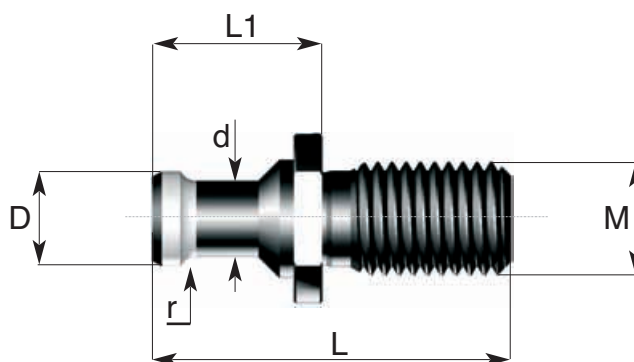
Tirante per macchine CORREA ISO 50

Pull stud for CORREA ISO 50 machines

Anzugsbolzen für Maschinen CORREA ISO 50

Tirette pour machines CORREA ISO 50

CORREA



Codice di ord Code	SK	M	d	H	r	D	L	L1	f	Chiave Key
COR.50.0100	SK 50	M24	16	30	5	20	76	36	-	20

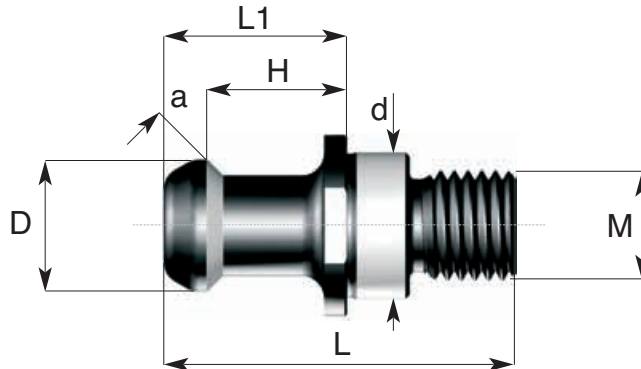
ACCESSORI PER MACCHINE UTENSILI

Tirante per macchine CERUTTI

Pull stud for CERUTTI machines
Anzugsbolzen für Maschinen CERUTTI
Tirette pour machines CERUTTI



CERUTTI



14.
23

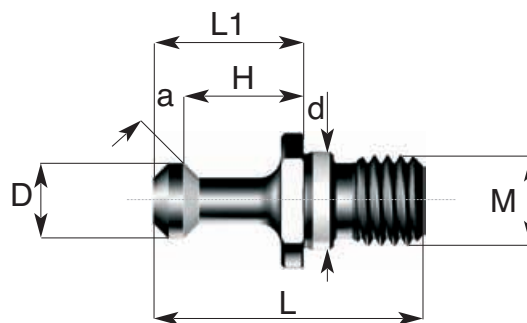
Codice di ord Code	SK	M	d g6	H	a	D	L	L1	f	Chiave Key
082.50.0100	SK 50	M24	32	32	45°	29	77	40	-	36



Tirante per macchine CHIRON ISO 30

Pull stud for CHIRON ISO 30 machines
Anzugsbolzen für Maschinen CHIRON ISO 30
Tirette pour machines CHIRON ISO 30

CHIRON



Codice di ord Code	SK	M	d g6	H	a	D	L	L1	f	Chiave Key
CHI.30.0100	SK 30	M12	13	16	45°	10	36	20	-	14
CHI.30.2100	SK 30	M10	13	16	45°	10	85	20	-	14
CHI.30.3100	SK 30	M12	13	16	45°	10	90	20	-	14

14. TIRANTI

PULL STUDS - ANZUGSBOLZEN - TIRETTES



Tirante per macchine CINCINNATI ISO 40

Pull stud for CINCINNATI ISO 40 machines

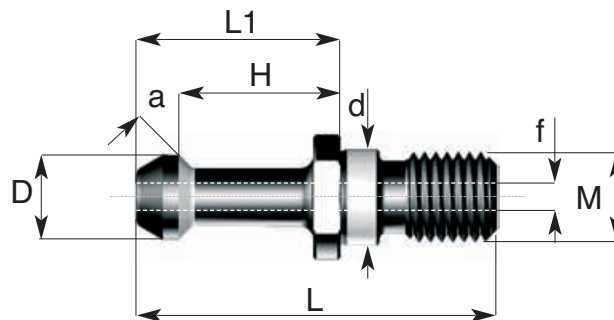
Anzugsbolzen für Maschinen CINCINNATI ISO 40

Tirette pour machines CINCINNATI ISO 40

ACCESSORI PER MACCHINE UTENSILI



CINCINNATI



Codice di ord Code	SK	M	d g6	H	a	D	L	L1	f	Chiave Key
CIN.40.0100	SK 40	M16	17	28.9	45°	15	64.5	36.5	4	18
CIN.40.0100.10	SK 40	M16	17	31.9	45°	15	67.5	39.5	4	18

Tirante per macchine CNC KITAMURA BT 35

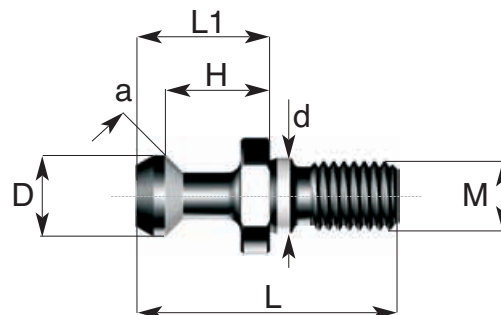
Pull stud for CNC KITAMURA BT 35 machines

Anzugsbolzen für Maschinen CNC KITAMURA BT 35

Tirette pour machines CNC KITAMURA BT 35



CNC KITAMURA BT 35



Codice di ord Code	SK	M	d g6	H	a	D	L	L1	f	Chiave Key
CNC.35.0100	SK 35	M12	13	18	45°	14	45	23	-	17
CNC.35.0104	SK 35	M12	13	18	90°	14	45	23	-	17

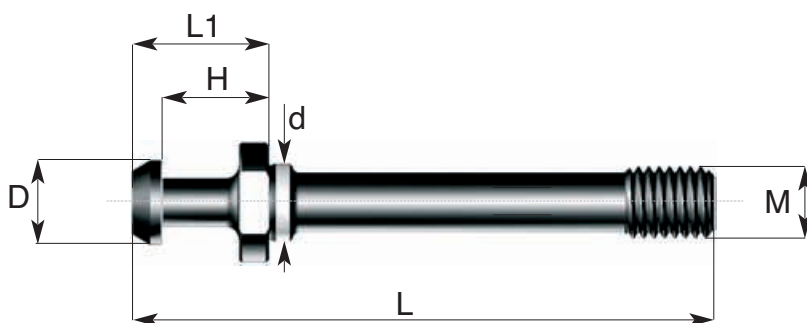
ACCESSORI PER MACCHINE UTENSILI



Tirante per macchine CNC KITAMURA BT 35
Pull stud for CNC KITAMURA BT 35 machines
Anzugsbolzen für Maschinen CNC KITAMURA BT 35
Tirette pour machines CNC KITAMURA BT 35

CNC KITAMURA BT 35

14.
25

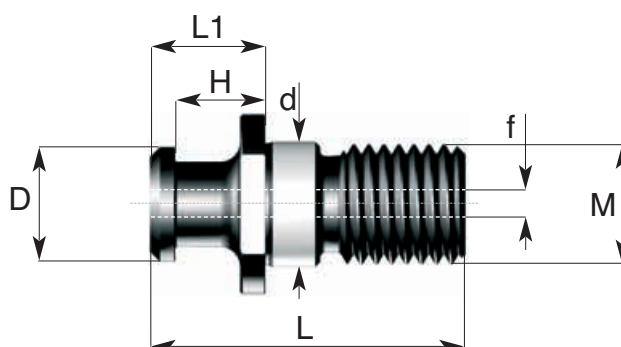


Codice di ord Code	SK	M	d g6	H	a	D	L	L1	f	Chiave Key
CNC.35.2104	SK 35	M12	13	18	-	14	90	23	-	17
CNC.35.3104	SK 35	M12	13	18	-	14	98	23	-	17



Tirante per macchine COMAU ISO 50
Pull stud for COMAU ISO 50 machines
Anzugsbolzen für Maschinen COMAU ISO 50
Tirette pour machines COMAU ISO 50

COMAU ISO 50



Codice di ord Code	SK	M	d g6	H	a	D	L	L1	f	Chiave Key
91900132	SK 50	M24	25	18	-	23	63	23	3	30

14. TIRANTI

PULL STUDS - ANZUGSBOLZEN - TIRETTES



ACCESSORI PER MACCHINE UTENSILI

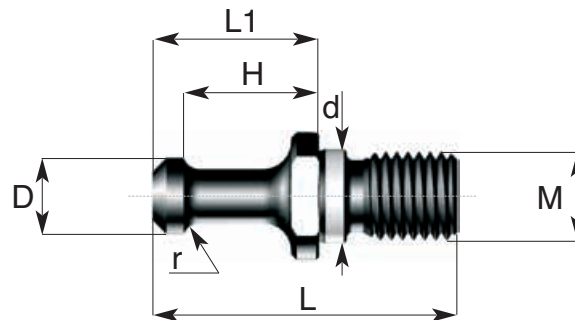
Tirante per macchine FAMUP

Pull stud for FAMUP machines

Anzugsbolzen für Maschinen FAMUP

Tirette pour machines FAMUP

FAMUP



Codice di ord Code	SK	M	d g6	H	r	D	L	L1	f	Chiave Key
FAM.30.0100	SK 30	M12	13	16.649	2.5	9.8	40	20	-	14
FAM.40.0100	SK 40	M16	17	24.43	3	13.8	55	30	-	19
FAM.40.0100.10	SK 40	M16	17	21.43	3	13.8	54	27	-	19

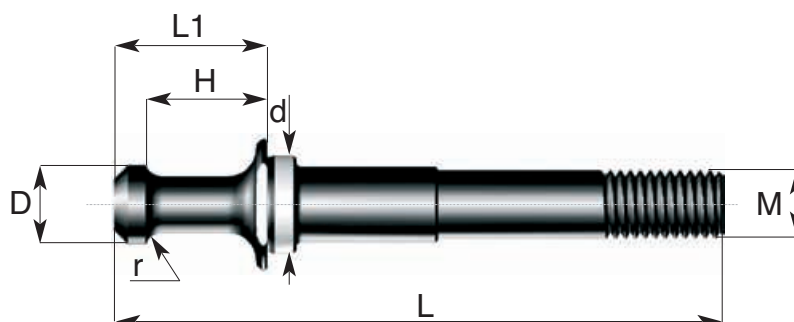
Tirante per macchine FAMUP

Pull stud for FAMUP machines

Anzugsbolzen für Maschinen FAMUP

Tirette pour machines FAMUP

FAMUP



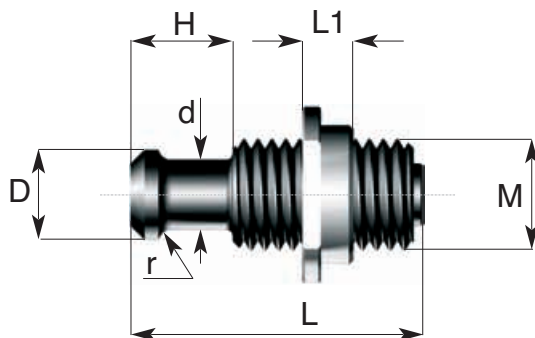
Codice di ord Code	SK	M	d	H	r	D	L	L1	f	Chiave Key
FAM.30.2100	SK 30	M10	13	16.649	2.5	9.8	89	20	-	14
FAM.30.3100	SK 30	M12	13	16.649	2.5	9.8	92	20	-	14
FAM.40.3100.10	SK 40	M12	17	21.43	3	13.8	107	27	-	18
FAM.40.4100.10	SK 40	M16	17	21.43	3	13.8	111	27	-	18

ACCESSORI PER MACCHINE UTENSILI



Tirante per macchine FIL ISO 50
 Pull stud for FIL ISO 50 machines
 Anzugsbolzen für Maschinen FIL ISO 50
 Tirette pour machines FIL ISO 50

FIL ISO 50



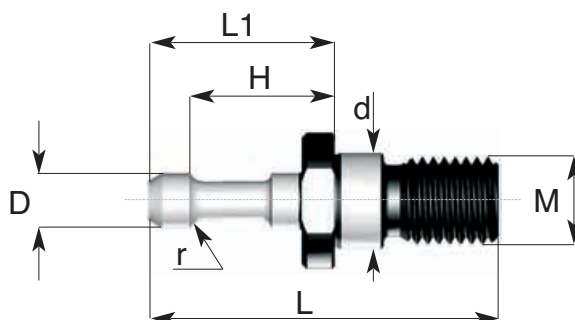
14.
27

Codice di ord Code	SK	M	d	H	r	D	L	L1	f	Chiave Key
FIL.50.0100	SK 50	M24	15	22	3	19.4	63	11	-	30



Tirante per macchine GIMA
 Pull stud for GIMA machines
 Anzugsbolzen für Maschinen GIMA
 Tirette pour machines GIMA

GIMA



Codice di ord Code	SK	M	d	H	r	D	L	L1	f	Chiave Key
GIMA.40.0100	SK 40	M16	17.5	26.5	2.75	10	64	34	-	22

14. TIRANTI

PULL STUDS - ANZUGSBOLZEN - TIRETTES



Tirante per macchine GLOBE

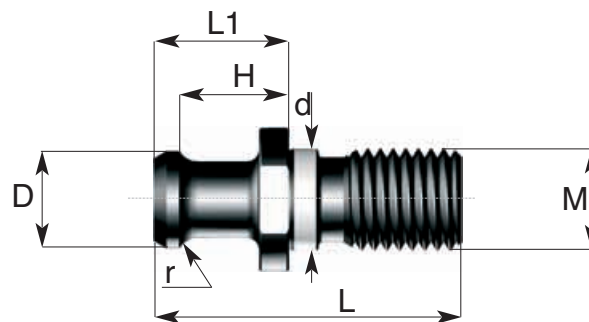
Pull stud for GLOBE machines

Anzugsbolzen für Maschinen GLOBE

Tirette pour machines GLOBE

ACCESSORI PER MACCHINE UTENSILI

GLOBE



Codice di ord Code	SK	M	d g6	H	r	D	L	L1	f	Chiave Key
GLO.50.0100	SK 50	M24	24	26	5.25	22.9	73	32	-	30

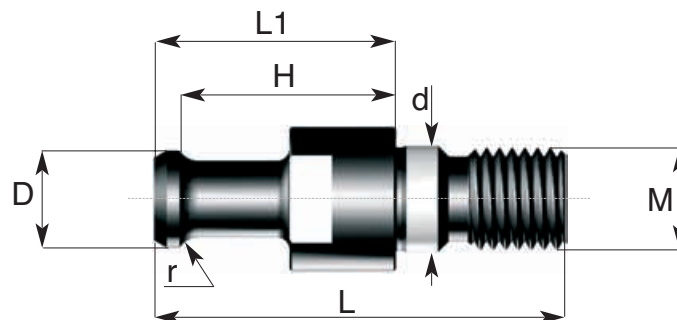
Tirante adattatore da DIN 69871 a DIN 2080 per macchine GLOBE

Adapter from DIN 69871 to DIN 2080 for GLOBE machines

Adapter von DIN 69871 zu DIN 2080 für Maschinen GLOBE

Adaptateur de DIN 69871 à DIN 2080 pour machines GLOBE

GLOBE ADATTATORE

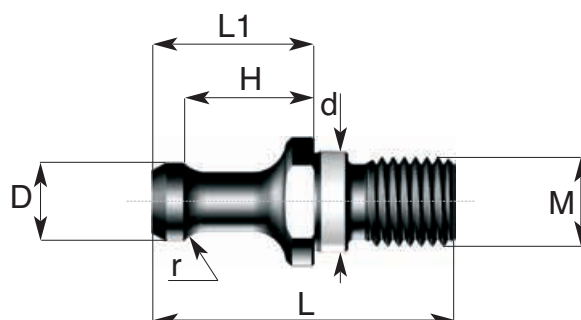


Codice di ord Code	SK	M	d g6	H	r	D	L	L1	f	Chiave Key
GLO.50.2080	SK 50	M24	24	51	5.25	22.9	97	57	-	27

ACCESSORI PER MACCHINE UTENSILI

Tirante per macchine GNUTTI
 Pull stud for GNUTTI machines
 Anzugsbolzen für Maschinen GNUTTI
 Tirette pour machines GNUTTI

GNUTTI

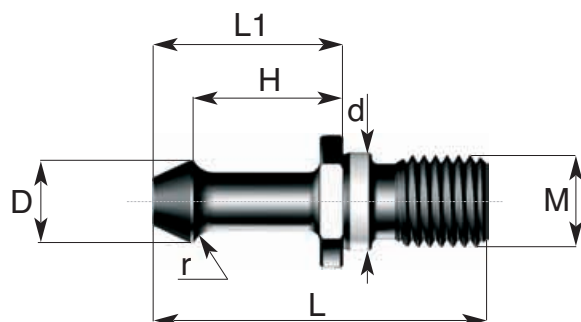


14.
29

Codice di ord Code	SK	M	d g6	H	r	D	L	L1	f	Chiave Key
GNU.30.0100	SK 30	M12	13	18.846	4	9	45	24	-	14
GNU.40.0100	SK 40	M16	18	23.435	6	14	54	29	-	17

Tirante per macchine HORIZON 400 ISO 40
 Pull stud for HORIZON 400 ISO 40 machines
 Anzugsbolzen für Maschinen HORIZON 400 ISO 40
 Tirette pour machines HORIZON 400 ISO 40

HORIZON 400 ISO 40



Codice di ord Code	SK	M	d g6	H	r	D	L	L1	f	Chiave Key
001.40.0105	SK 40	M16	17	26	4.1	14.3	58	33	-	19
001.40.2105	SK 40	M10	17	26	4.1	14.3	108	33	-	19
001.40.3105	SK 40	M12	17	26	4.1	14.3	108	33	-	19
001.40.4105	SK 40	M26	17	26	4.1	14.3	112	33	-	19

14. TIRANTI

PULL STUDS - ANZUGSBOLZEN - TIRETTES



Tirante per macchine HORIZON 1000 ISO 50

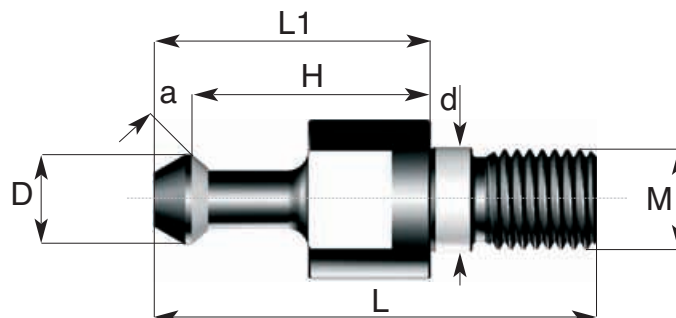
Pull stud for HORIZON 1000 ISO 50 machines

Anzugsbolzen für Maschinen HORIZON 1000 ISO 50

Tirette pour machines HORIZON 1000 ISO 50

ACCESSORI PER MACCHINE UTENSILI

HORIZON 1000 ISO 50



14,
30

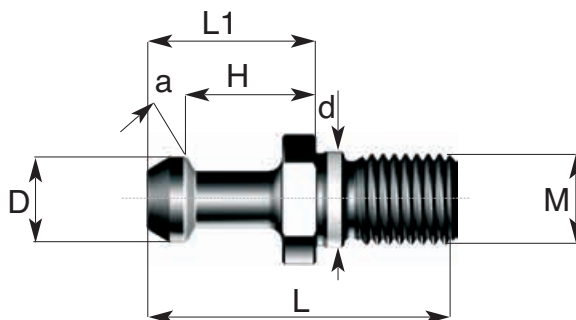
Codice di ord Code	SK	M	d g6	H	a	D	L	L1	f	Chiave Key
001.50.0105	SK 50	M24	25	57.2	50°	21.5	106.2	66.2	-	30

ACCESSORI PER MACCHINE UTENSILI

Tirante per macchine JOBS ISO 40
 Pull stud for JOBS ISO 40 machines
 Anzugsbolzen für Maschinen JOBS ISO 40
 Tirette pour machines JOBS ISO 40



JOBS ISO 40



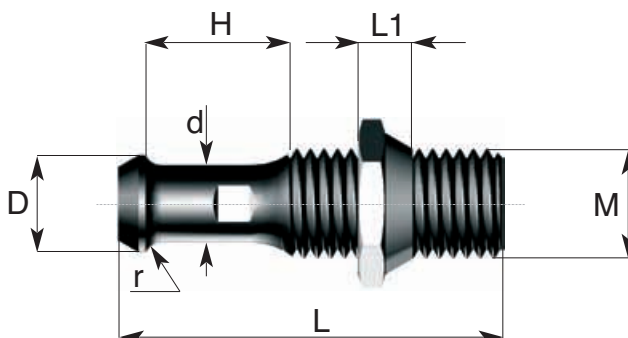
14.
31

Codice di ord Code	SK	M	d g6	H	a	D	L	L1	f	Chiave Key
JOB.40.0100	SK 40	M16	17	23	30°	15	55	30	-	19



Tirante per macchine MANDELLI ISO 50 / 25
 Pull stud for MANDELLI ISO 50 / 25 machines
 Anzugsbolzen für Maschinen MANDELLI ISO 50 / 25
 Tirette pour machines MANDELLI ISO 50 / 25

MANDELLI ISO 50 / 25



Codice di ord Code	SK	M	d	H	r	D	L	L1	f	Chiave Key
026.50.0100.01	SK 50	M24	17	33	4	21.4	85	12	-	32
026.50.0100.10	SK 50	M24	17	25	4	21.4	75	12	-	32

14. TIRANTI

PULL STUDS - ANZUGSBOLZEN - TIRETTES



Tirante per macchine MANDELLI ISO 45

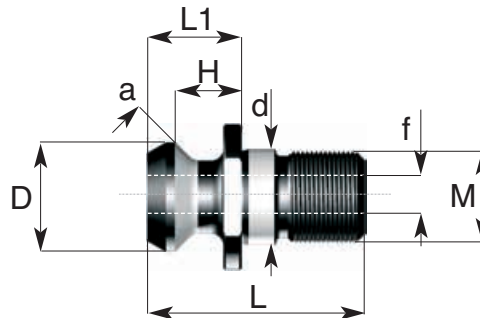
Pull stud for MANDELLI ISO 45 machines

Anzugsbolzen für Maschinen MANDELLI ISO 45

Tirette pour machines MANDELLI ISO 45

ACCESSORI PER MACCHINE UTENSILI

MANDELLI ISO 45



Codice di ord Code	SK	M	d g6	H	a	D	L	L1	f	Chiave Key
024.45.0100	SK 45	M20X1.5	21	14.7	45°	24	48	20.8	9.4	27

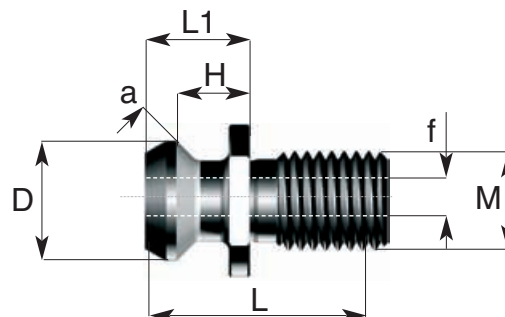
Tirante per macchine MANDELLI QUASAR ISO 50

Pull stud for MANDELLI QUASAR ISO 50 machines

Anzugsbolzen für Maschinen MANDELLI QUASAR ISO 50

Tirette pour machines MANDELLI QUASAR ISO 50

MANDELLI QUASAR



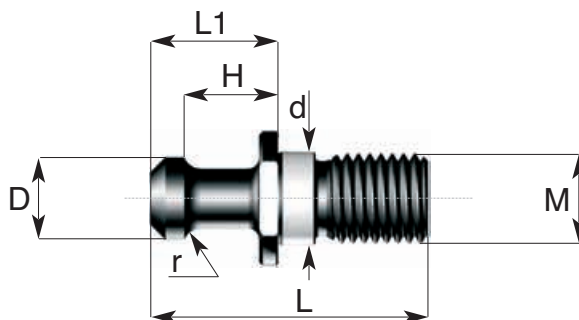
Codice di ord Code	SK	M	d g6	H	a	D	L	L1	f	Chiave Key
025.50.0100	SK 50	M24	-	17.8	45°	29	59	25.4	11.85	30

ACCESSORI PER MACCHINE UTENSILI

Tirante per macchine MAUT
 Pull stud for MAUT machines
 Anzugsbolzen für Maschinen MAUT
 Tirette pour machines MAUT



MAUT



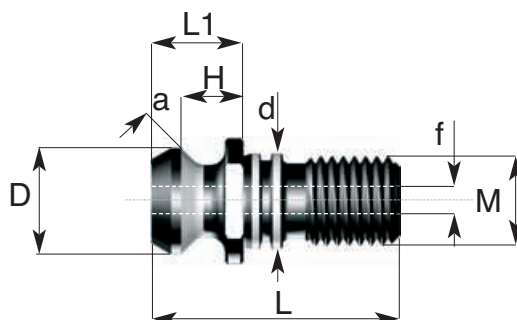
14.
33

Codice di ord Code	SK	M	d g6	H	r	D	L	L1	f	Chiave Key
MAUT.50.0100	SK 50	M24	25	25	5	22	74	34	-	30



Tirante per macchine MAZAK
 Pull stud for MAZAK machines
 Anzugsbolzen für Maschinen MAZAK
 Tirette pour machines MAZAK

MAZAK



Codice di ord Code	SK	M	d g6	H	a	D	L	L1	f	Chiave Key
048.40.0100	SK 40	M16	17	11.176	45°	18.796	41.256	16.256	7	19
048.40.0100.10	SK 40	M16	17	14.026	45°	18.796	44.106	19.106	7	19
050.50.0100	SK 50	M24	25	17.78	45°	28.965	65.4	25.4	10	30

14. TIRANTI

PULL STUDS - ANZUGSBOLZEN - TIRETTES



Tirante per macchine MAZAK

Pull stud for MAZAK machines

Anzugsbolzen für Maschinen MAZAK

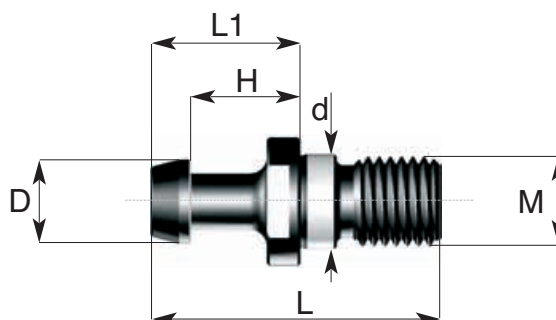
Tirette pour machines MAZAK

ACCESSORI PER MACCHINE UTENSILI



MAZAK

14.
34



Codice di ord Code	SK	M	d g6	H	a	D	L	L1	f	Chiave Key
063.40.0104.20	SK 40	M16	17	19.75	-	15	51.75	26.75	-	19

Tirante per macchine MAZAK

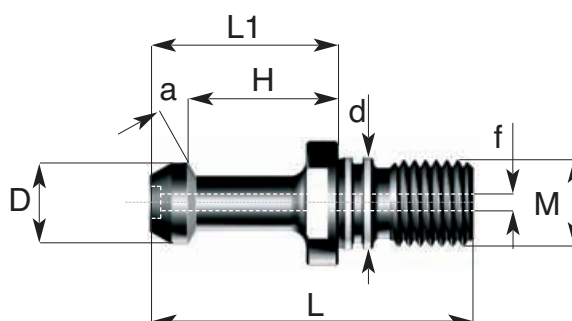
Pull stud for MAZAK machines

Anzugsbolzen für Maschinen MAZAK

Tirette pour machines MAZAK



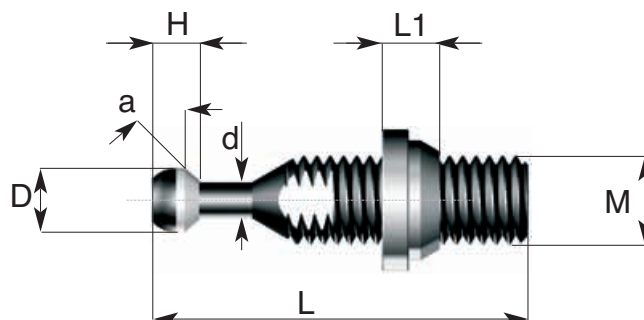
MAZAK



Codice di ord Code	SK	M	d g6	H	a	D	L	L1	f	Chiave Key
060.30.0102.20	SK 30	M12	12.5	18	30°	11	43	23	3	13

ACCESSORI PER MACCHINE UTENSILI

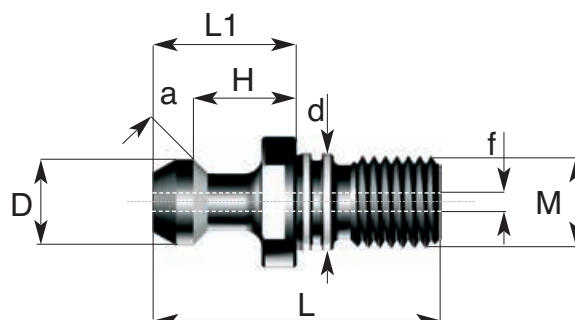

Tirante per macchine MCM PROGRESS 1 e CONNECTION
Pull stud for MCM PROGRESS 1 and CONNECTION machines
Anzugsbolzen für Maschinen MCM PROGRESS 1 und CONNECTION
Tirette pour machines MCM PROGRESS 1 et CONNECTION

MCM

**14.
35**

Codice di ord Code	SK	M	d	H	a	D	L	L1	f	Chiave Key
B39.45.0100	SK 45	M20	8.2	10.6	45°	14.5	85	13	-	15



Tirante per macchine MITSUI-SEIKI
Pull stud for MITSUI-SEIKI machines
Anzugsbolzen für Maschinen MITSUI-SEIKI
Tirette pour machines MITSUI-SEIKI

MITSUI-SEIKI


Codice di ord Code	SK	M	d g6	H	a	D	L	L1	f	Chiave Key
M63.40.0100	SK 40	M16	17	18	45°	15	50	25	-	19
M63.40.0104	SK 40	M16	17	18	90°	15	50	25	-	19
M65.50.0100	SK 50	M24	25	23	90°	24	71	33	-	30
M65.50.0100.F	SK 50	M24	25	23	90°	24	71	33	8	30

14. TIRANTI

PULL STUDS - ANZUGSBOLZEN - TIRETTES



ACCESSORI PER MACCHINE UTENSILI

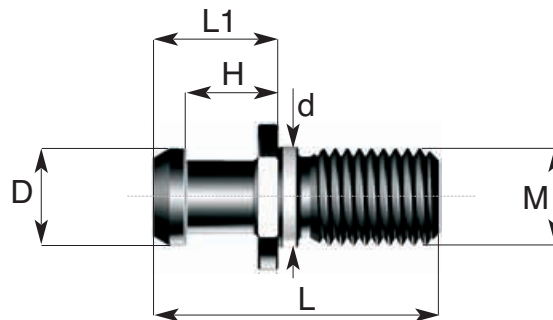
Tirante per macchine MITSUI-SEIKI

Pull stud for MITSUI-SEIKI machines

Anzugsbolzen für Maschinen MITSUI-SEIKI

Tirette pour machines MITSUI-SEIKI

MITSUI-SEIKI



Codice di ord Code	SK	M	d g6	H	a	D	L	L1	f	Chiave Key
K65.50.0100	SK 50	M24	25	23	-	24	71	31	-	30

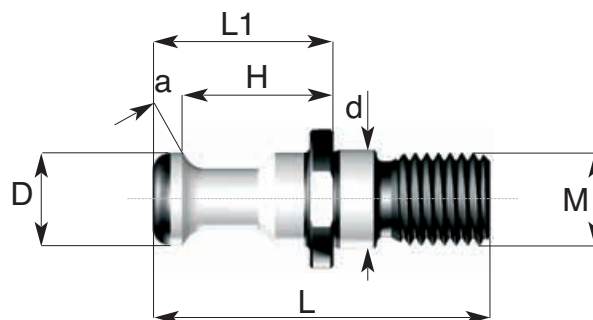
Tirante per macchine MIVAL

Pull stud for MIVAL machines

Anzugsbolzen für Maschinen MIVAL

Tirette pour machines MIVAL

MIVAL



Codice di ord Code	SK	M	d g6	H	a	D	L	L1	f	Chiave Key
MIV.016.40.0100	SK 40	M16	17	26	35°	16	58	31.1	-	19
MIV.016.40.0100.10	SK 40	M16	18	28	35°	16	58	33	-	22

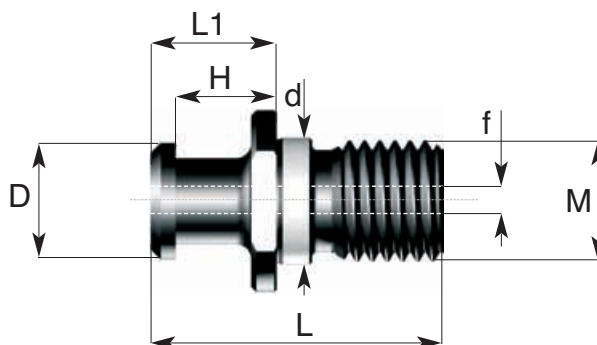
14.
36

ACCESSORI PER MACCHINE UTENSILI



Tirante per macchine MODENAMATIC
 Pull stud for MODENAMATIC machines
 Anzugsbolzen für Maschinen MODENAMATIC
 Tirette pour machines MODENAMATIC

MODENAMATIC



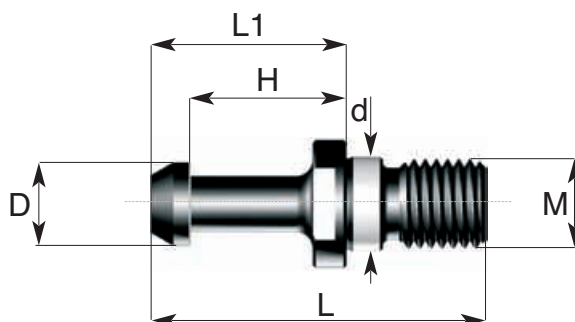
14.
37

Codice di ord Code	SK	M	d g6	H	a	D	L	L1	f	Chiave Key
15.001	SK 50	M24	25	13	-	23	58	25	6	27



Tirante per macchine MORISEIKI CAT 40
 Pull stud for MORISEIKI CAT 40 machines
 Anzugsbolzen für Maschinen MORISEIKI CAT 40
 Tirette pour machines MORISEIKI CAT 40

MORISEIKI CAT 40



Codice di ord Code	SK	M	d g6	H	a	D	L	L1	f	Chiave Key
063.40.0104.10	SK 40	M16	17	25.146	-	15	57	32	-	19

14. TIRANTI

PULL STUDS - ANZUGSBOLZEN - TIRETTES



ACCESSORI PER MACCHINE UTENSILI

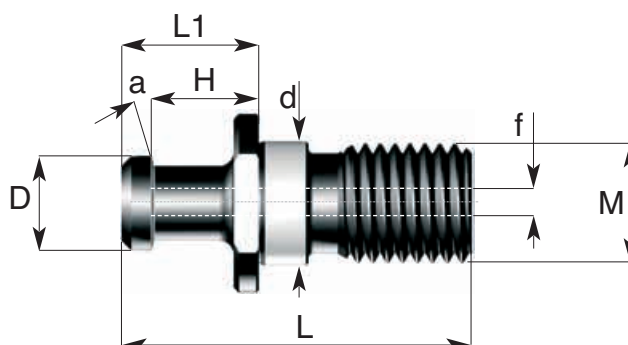
Tirante per macchine NOVAR

Pull stud for NOVAR machines

Anzugsbolzen für Maschinen NOVAR

Tirette pour machines NOVAR

NOVAR



Codice di ord Code	SK	M	d g6	H	a	D	L	L1	f	Chiave Key
NOV.50.0100	SK 50	M24	25	21.65	15°	19	67.65	27.65	7	19

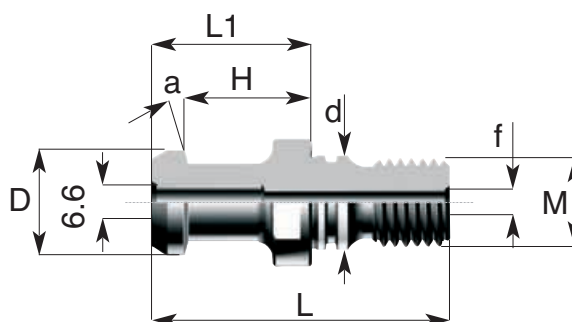
Tirante per macchine OKUMA

Pull stud for OKUMA machines

Anzugsbolzen für Maschinen OKUMA

Tirette pour machines OKUMA

OKUMA



Codice di ord Code	SK	M	d g6	H	a	D	L	L1	f	Chiave Key
OK1.40.0100	SK 40	M16	17	23	15°	19	54	29	5.5	19

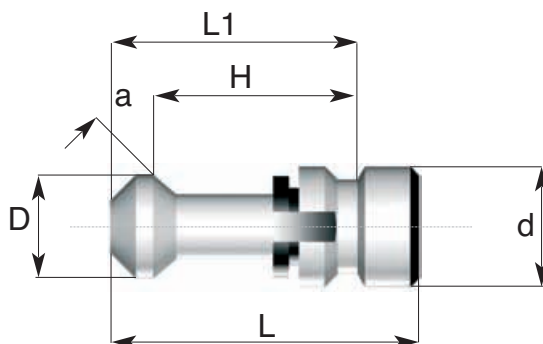
14.
38

ACCESSORI PER MACCHINE UTENSILI



Tirante per macchine OLIVETTI AUCTOR
 Pull stud for OLIVETTI AUCTOR machines
 Anzugsbolzen für Maschinen OLIVETTI AUCTOR
 Tirette pour machines OLIVETTI AUCTOR

OLIVETTI AUCTOR



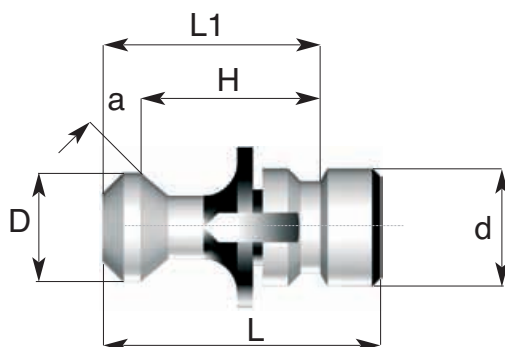
14.
39

Codice di ord Code	SK	d	H	a	D	L	L1	L2	f	Chiave Key
018.40.0100	SK 40	14	23.85	45°	12	36	31.55	715	-	-



Tirante per macchine OLIVETTI AUCTOR
 Pull stud for OLIVETTI AUCTOR machines
 Anzugsbolzen für Maschinen OLIVETTI AUCTOR
 Tirette pour machines OLIVETTI AUCTOR

OLIVETTI AUCTOR



Codice di ord Code	SK	d	H	a	D	L	L1	L2	f	Chiave Key
019.40.0100	SK 40	14	21.35	45°	13	33	25.85	715	-	-

14. TIRANTI

PULL STUDS - ANZUGSBOLZEN - TIRETTES



Tirante per macchine OLIVETTI ISO 45 VDI 2814/A

Pull stud for OLIVETTI ISO 45 VDI 2814/A machines

Anzugsbolzen für Maschinen OLIVETTI ISO 45 VDI 2814/A

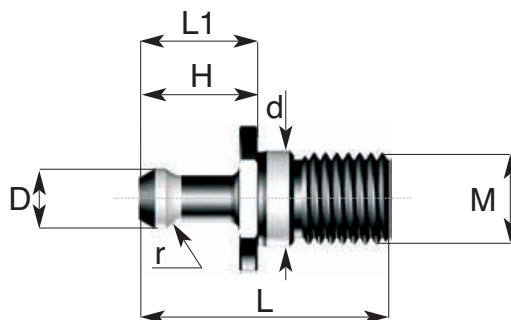
Tirette pour machines OLIVETTI ISO 45 VDI 2814/A

ACCESSORI PER MACCHINE UTENSILI



OLIVETTI ISO 45

14,
40



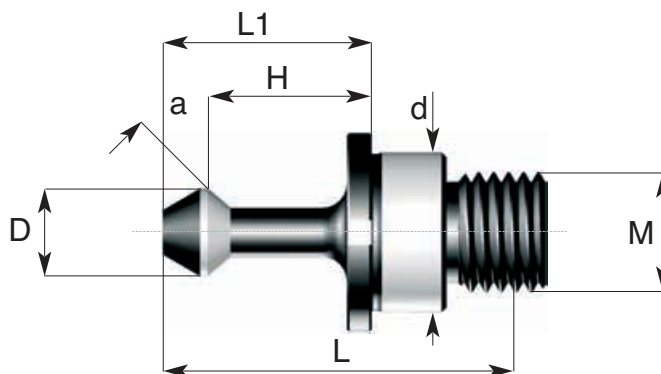
Codice di ord Code	SK	M	d g6	H	r	D	L	L1	f	Chiave Key
021.45.0100	SK 45	M20	21	20.1	4.5	13	55	26	-	27

ACCESSORI PER MACCHINE UTENSILI

Tirante per macchine OLIVETTI ISO 50 HORIZON 12-13-14
 Pull stud for OLIVETTI ISO 50 HORIZON 12-13-14 machines
 Anzugsbolzen für Maschinen OLIVETTI ISO 50 HORIZON 12-13-14
 Tirette pour machines OLIVETTI ISO 50 HORIZON 12-13-14



OLIVETTI ISO 50 HORIZON



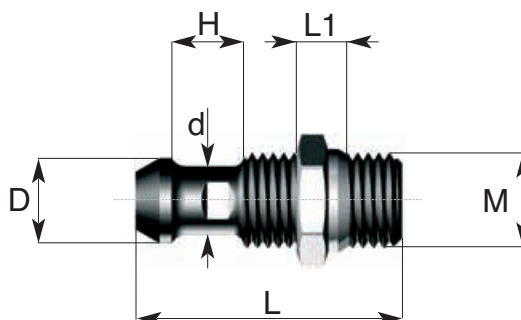
14.
41

Codice di ord Code	SK	M	d g6	H	a	D	L	L1	f	Chiave Key
022.50.0100	SK 50	M24	32	33	50°	17.5	77	72	-	settore



Tirante per macchine OMV ISO 40
 Pull stud for OMV ISO 40 machines
 Anzugsbolzen für Maschinen OMV ISO 40
 Tirette pour machines OMV ISO 40

OMV



Codice di ord Code	SK	M	d	H	r	D	L	L1	f	Chiave Key
OMV.40.0100	SK 40	M16	13	13.7	3.175	16	50.5	10	-	22

14. TIRANTI

PULL STUDS - ANZUGSBOLZEN - TIRETTES



ACCESSORI PER MACCHINE UTENSILI

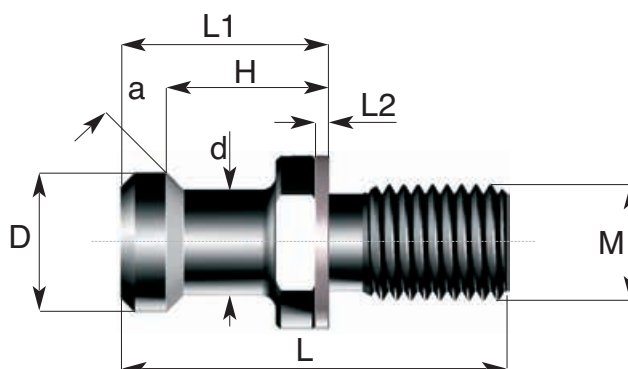
Tirante per macchine PAMA ISO 50

Pull stud for PAMA ISO 50 machines

Anzugsbolzen für Maschinen PAMA ISO 50

Tirette pour machines PAMA ISO 50

PAMA



Codice di ord Code	SK	M	d g6	H	a	D	L	L1	L2	Chiave Key
031.50.0100	SK 50	M24	22	33.7	45°	29	80.2	43.2	3	32

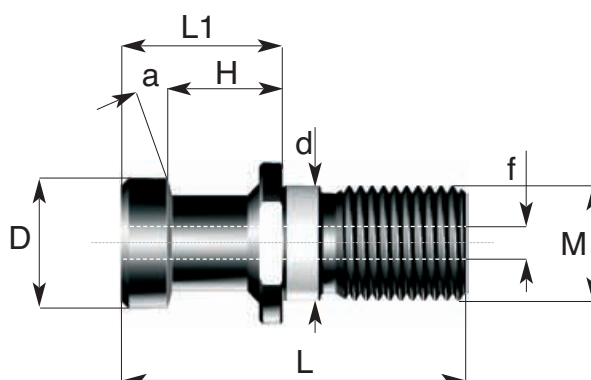
Tirante per macchine PAMA ISO 60

Pull stud for PAMA ISO 60 machines

Anzugsbolzen für Maschinen PAMA ISO 60

Tirette pour machines PAMA ISO 60

PAMA



Codice di ord Code	SK	M	d g6	H	a	D	L	L1	f	Chiave Key
031.60.0100	SK 60	M30	32	30	15°	34	90	42	14	36

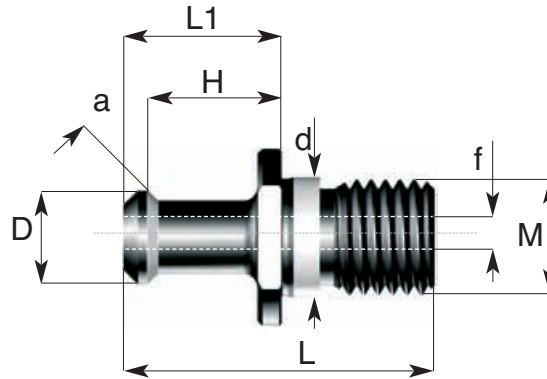
14,
42

ACCESSORI PER MACCHINE UTENSILI

Tirante per macchine PBR ISO 50
 Pull stud for PBR ISO 50 machines
 Anzugsbolzen für Maschinen PBR ISO 50
 Tirette pour machines PBR ISO 50



PBR



14.
43

Codice di ord Code	SK	M	d g6	H	a	D	L	L1	f	Chiave Key
PBR.50.0100	SK 50	M24	25	28	45°	19.5	65	33	6	30

14. TIRANTI

PULL STUDS - ANZUGSBOLZEN - TIRETTES



Tirante per macchine PEAR CAT 30

Pull stud for PEAR CAT 30 machines

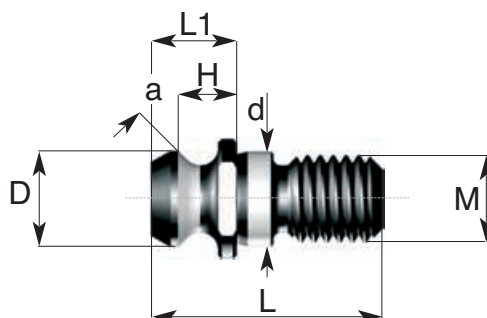
Anzugsbolzen für Maschinen PEAR CAT 30

Tirette pour machines PEAR CAT 30

ACCESSORI PER MACCHINE UTENSILI



PEAR CAT 30



Codice di ord Code	SK	M	d g6	H	a	D	L	L1	f	Chiave Key
047.30.0100	SK 30	M12	13	8	45°	13.2	31.7	11.7	-	13
047.30.2100	SK 30	M10	13	8	45°	13.2	76.7	11.7	-	13
047.30.3100	SK 30	M12	13	8	45°	13.2	76.7	11.7	-	13

Tirante per macchine PRISMA CW 500 HECKERT

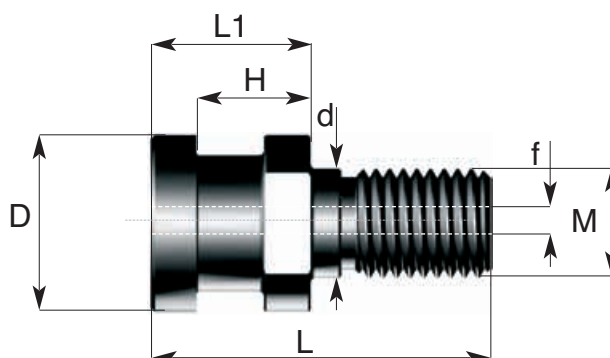
Pull stud for PRISMA CW 500 HECKERT machines

Anzugsbolzen für Maschinen PRISMA CW 500 HECKERT

Tirette pour machines PRISMA CW 500 HECKERT



PRISMA CW 500 HECKERT



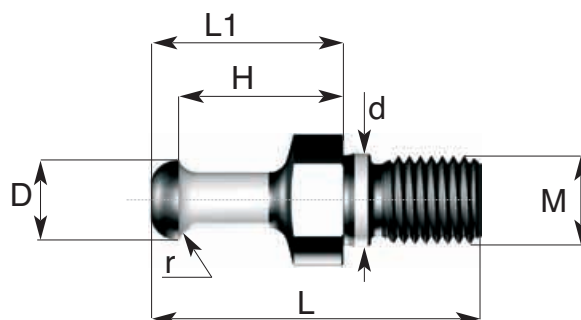
Codice di ord Code	SK	M	d g6	H	a	D	L	L1	f	Chiave Key
A01.50.0100	SK 50	M24	24.1	25.2	-	39	75	35.3	11.5	32

ACCESSORI PER MACCHINE UTENSILI



Tirante per macchine RAMBAUDI
Pull stud for RAMBAUDI machines
Anzugsbolzen für Maschinen RAMBAUDI
Tirette pour machines RAMBAUDI

RAMBAUDI



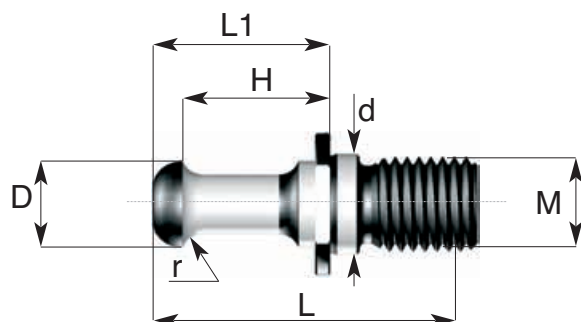
14.
45

Codice di ord Code	SK	M	d g6	H	r	D	L	L1	f	Chiave Key
073.40.0110	SK 40	M16	16.8	30	3.57	14.6	60	35	-	20
075.50.0100	SK 50	M24	25	32	3.57	20	79.5	39.5	-	30



Tirante per macchine RAMBAUDI
Pull stud for RAMBAUDI machines
Anzugsbolzen für Maschinen RAMBAUDI
Tirette pour machines RAMBAUDI

RAMBAUDI



Codice di ord Code	SK	M	d g6	H	r	D	L	L1	f	Chiave Key
073.40.0100	SK 40	M16	17	25	3.57	14.6	55	30	-	20
073.40.0100.10	SK 40	M16	17	25	3.57	14.6	52	30	-	20
073.40.0100.20	SK 40	M16	17	22	3.57	14.6	52	27	-	20

14. TIRANTI

PULL STUDS - ANZUGSBOLZEN - TIRETTES



Tirante per macchine RIELLO ISO 30

Pull stud for RIELLO ISO 30 machines

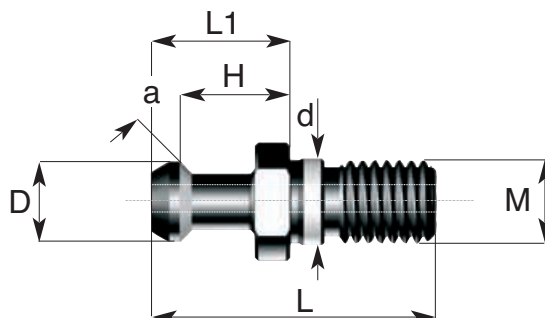
Anzugsbolzen für Maschinen RIELLO ISO 30

Tirette pour machines RIELLO ISO 30

ACCESSORI PER MACCHINE UTENSILI



RIELLO



Codice di ord Code	SK	M	d g6	H	a	D	L	L1	f	Chiave Key
RIE.30.0100	SK 30	M12	12.5	15.8	45°	11.5	40	20	-	14

Tirante per macchine RIGIVA ISO 40

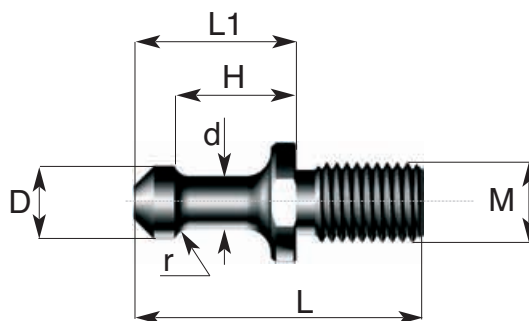
Pull stud for RIGIVA ISO 40 machines

Anzugsbolzen für Maschinen RIGIVA ISO 40

Tirette pour machines RIGIVA ISO 40



RIGIVA



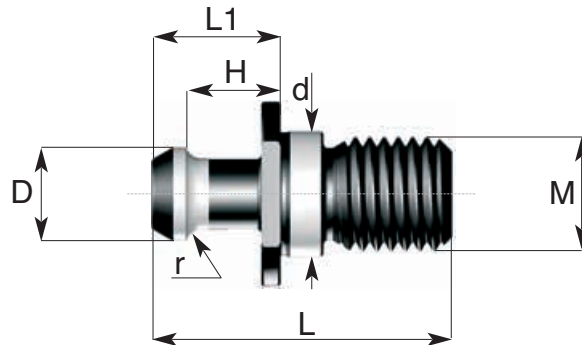
Codice di ord Code	SK	M	d g6	H	r	D	L	L1	f	Chiave Key
RIG.40.0100	SK 40	M16	10.51	24.2	3.175	14.53	57.2	32.2	-	22

ACCESSORI PER MACCHINE UTENSILI



Tirante per macchine SACHMAN
 Pull stud for SACHMAN machines
 Anzugsbolzen für Maschinen SACHMAN
 Tirette pour machines SACHMAN

SACHMAN



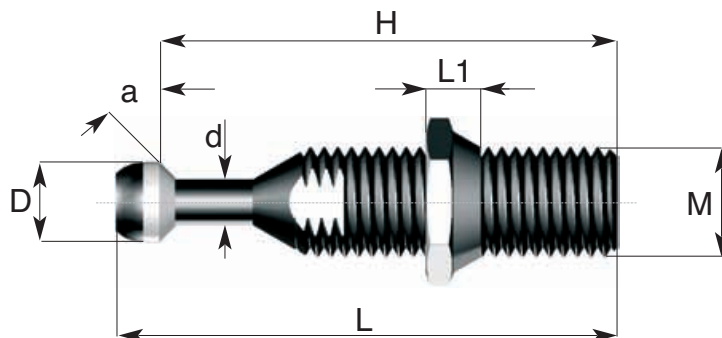
14.
47

Codice di ord Code	SK	M	d g6	H	r	D	L	L1	f	Chiave Key
A15.50.0100	SK 50	M24	26.5	19.9	3.57	19.8	63	27	-	32



Tirante per macchine SECMU ISO 50
 Pull stud for SECMU ISO 50 machines
 Anzugsbolzen für Maschinen SECMU ISO 50
 Tirette pour machines SECMU ISO 50

SECMU



Codice di ord Code	SK	M	d	H	a	D	L	L1	f	Chiave Key
SEC.50.0100	SK 50	M24	9.8	100.5	45°	17.5	110	12	-	32

14. TIRANTI

PULL STUDS - ANZUGSBOLZEN - TIRETTES



ACCESSORI PER MACCHINE UTENSILI

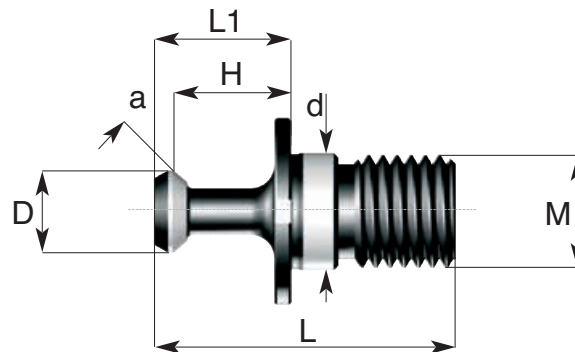
Tirante per macchine SECMU ISO 50

Pull stud for SECMU ISO 50 machines

Anzugsbolzen für Maschinen SECMU ISO 50

Tirette pour machines SECMU ISO 50

SECMU



Codice di ord Code	SK	M	d g6	H	a	D	L	L1	f	Chiave Key
SEC.50.0102	SK 50	M24	25	25	50°	17.5	64	29	-	setto
SEC.50.0104	SK 50	M24	25	31.7	50°	17.5	77	35	-	32

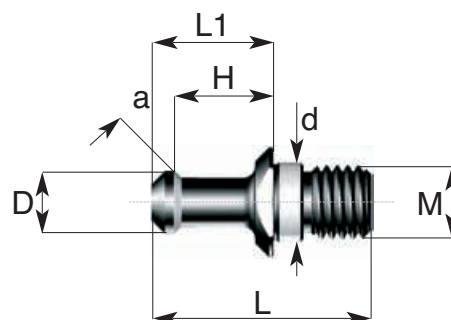
Tirante per macchine STAMA ISO 30

Pull stud for STAMA ISO 30 machines

Anzugsbolzen für Maschinen STAMA ISO 30

Tirette pour machines STAMA ISO 30

STAMA



Codice di ord Code	SK	M	d g6	H	a	D	L	L1	f	Chiave Key
STA.30.0100	SK 30	M12	13	16.4	45°	10.2	36.5	20.2	-	14
STA.30.2100	SK 30	M10	13	16.4	45°	10.2	87.2	20.2	-	14
STA.30.3100	SK 30	M12	13	16.4	45°	10.2	95	20.2	-	14

14.
48

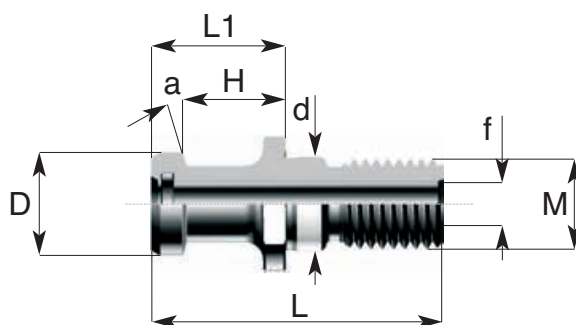
ACCESSORI PER MACCHINE UTENSILI



Tirante per macchine SAJO ISO 45
 Pull stud for SAJO ISO 45 machines
 Anzugsbolzen für Maschinen SAJO ISO 45
 Tirette pour machines SAJO ISO 45

SAJO ISO 45

14.
49



Codice di ord Code	SK	M	d g6	H	a	D	L	L1	f	Chiave Key
SAJ.45.0100	SK 45	M20	21	23	15°	23	65	30	10.6	24

14. TIRANTI

PULL STUDS - ANZUGSBOLZEN - TIRETTES



Tirante per macchine TOS ISO 50

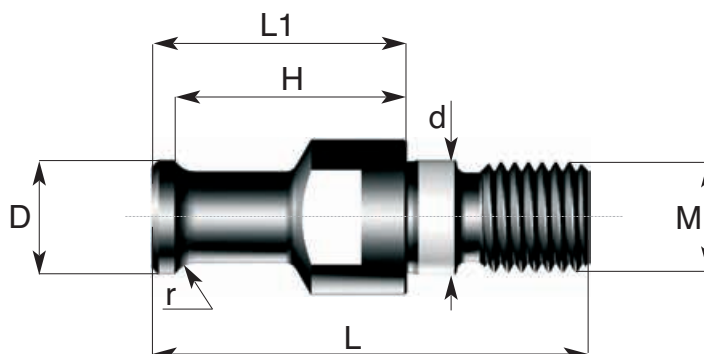
Pull stud for TOS ISO 50 machines

Anzugsbolzen für Maschinen TOS ISO 50

Tirette pour machines TOS ISO 50

ACCESSORI PER MACCHINE UTENSILI

TOS ISO 50



Codice di ord Code	SK	M	d g6	H	r	D	L	L1	f	Chiave Key
TOS.50.0100	SK 50	M24	25	51	5	25	96	56	-	27
TOS.50.0100.10	SK 50	M24	25	29.5	5.5	25.5	77	34.2	-	24

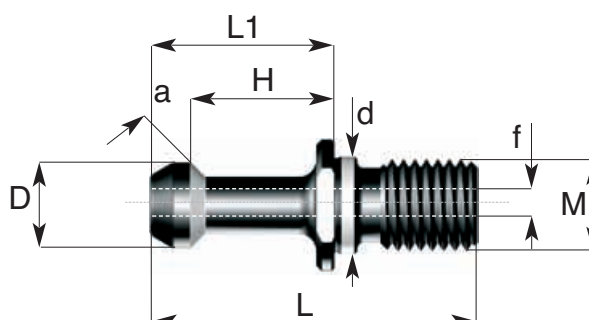
Tirante per macchine TOYOTA

Pull stud for TOYOTA machines

Anzugsbolzen für Maschinen TOYOTA

Tirette pour machines TOYOTA

TOYOTA



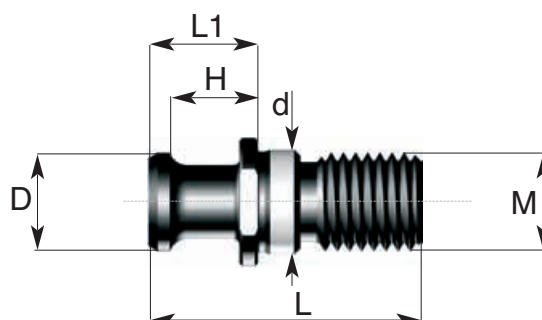
Codice di ord Code	SK	M	d g6	H	a	D	L	L1	f	Chiave Key
TOY.40.0100	SK 40	M16	17	25.15	45°	15	57.15	32.15	4	19

ACCESSORI PER MACCHINE UTENSILI



Tirante per macchine TRAUB TUC 400P
 Pull stud for TRAUB TUC 400P machines
 Anzugsbolzen für Maschinen TRAUB TUC 400P
 Tirette pour machines TRAUB TUC 400P

TRAUB TUC 400P



14.
51

Codice di ord Code	SK	M	d g6	H	r	D	L	L1	f	Chiave Key
TRU.40.0100	SK 40	M16	17	14.5	3	16	45	18	-	18

14. TIRANTI

PULL STUDS - ANZUGSBOLZEN - TIRETTES



Tirante per macchine BIESSE ISO 30

Pull stud for BIESSE ISO 30 machines

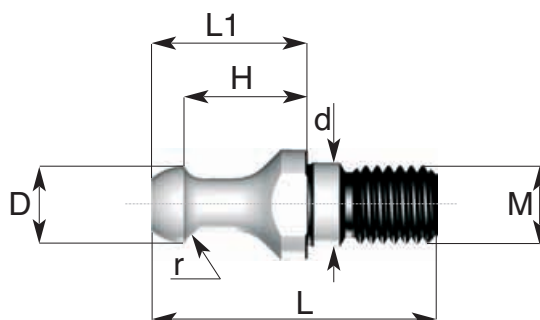
Anzugsbolzen für Maschinen BIESSE ISO 30

Tirette pour machines BIESSE ISO 30

ACCESSORI PER MACCHINE UTENSILI



BIESSE ISO 30



Codice di ord Code	SK	M	d g6	H	r	D	L	L1	f	Chiave Key
BIS.30.0100	SK 30	M12	13	19	3.175	12	44	24	-	14

Tirante per macchine BIESSE ISO 30

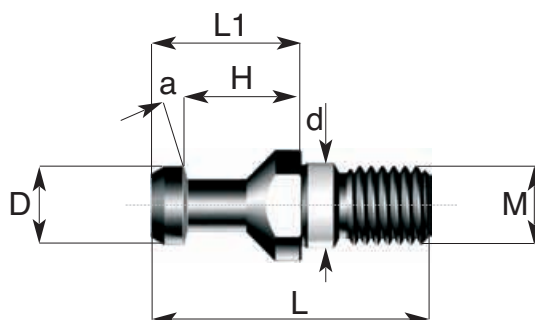
Pull stud for BIESSE ISO 30 machines

Anzugsbolzen für Maschinen BIESSE ISO 30

Tirette pour machines BIESSE ISO 30



BIESSE ISO 30



Codice di ord Code	SK	M	d g6	H	a	D	L	L1	f	Chiave Key
BIS.30.0102	SK 30	M12	13	19	15°	12	44	24	-	14

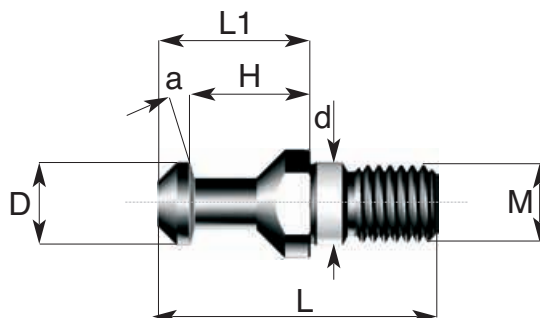
14.
52

ACCESSORI PER MACCHINE UTENSILI



Tirante per macchine ALBERTI ISO 30
 Pull stud for ALBERTI ISO 30 machines
 Anzugsbolzen für Maschinen ALBERTI ISO 30
 Tirette pour machines ALBERTI ISO 30

ALBERTI



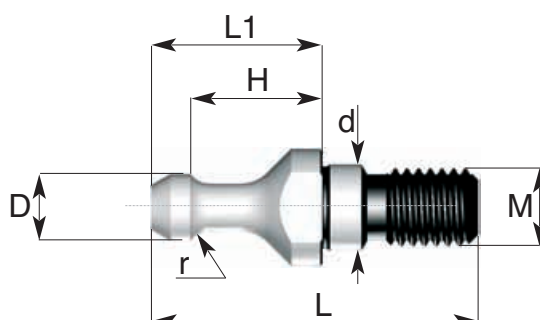
14.
53

Codice di ord Code	SK	M	d g6	H	a	D	L	L1	f	Chiave Key
ALB.30.0100	SK 30	M12	13		45°	13	44	24	-	14



Tirante per macchine SCM MORBIDELLI ISO 30
 Pull stud for SCM MORBIDELLI ISO 30 machines
 Anzugsbolzen für Maschinen SCM MORBIDELLI ISO 30
 Tirette pour machines SCM MORBIDELLI ISO 30

SCM MORBIDELLI



Codice di ord Code	SK	M	d g6	H	r	D	L	L1	f	Chiave Key
SCM.30.0100	SK 30	M10	11	18.3	2.3	8.5	42.5	22	-	

14. TIRANTI

PULL STUDS - ANZUGSBOLZEN - TIRETTES



Tirante per macchine CMS ISO 30

Pull stud for CMS ISO 30 machines

Anzugsbolzen für Maschinen CMS ISO 30

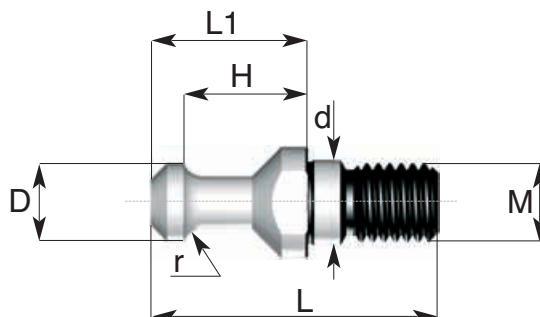
Tirette pour machines CMS ISO 30

ACCESSORI PER MACCHINE UTENSILI



CMS ISO 30

14.
54



Codice di ord Code	SK	M	d g6	H	r	D	L	L1	f	Chiave Key
CMS.30.0100	SK 30	M12	13	19	2,4	12,8	44	19	-	14

Tirante per macchine ESSETEAM ISO 30

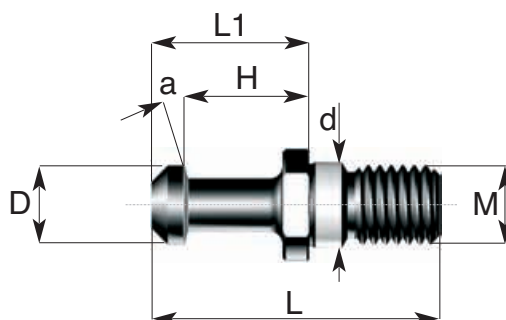
Pull stud for ESSETEAM ISO 30 machines

Anzugsbolzen für Maschinen ESSETEAM ISO 30

Tirette pour machines ESSETEAM ISO 30



ESSETEAM ISO 30



Codice di ord Code	SK	M	d g6	H	a	D	L	L1	f	Chiave Key
ESS.30.0100	SK 30	M12	13	19	15	12	44	24	-	14

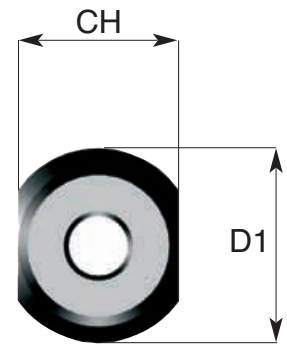
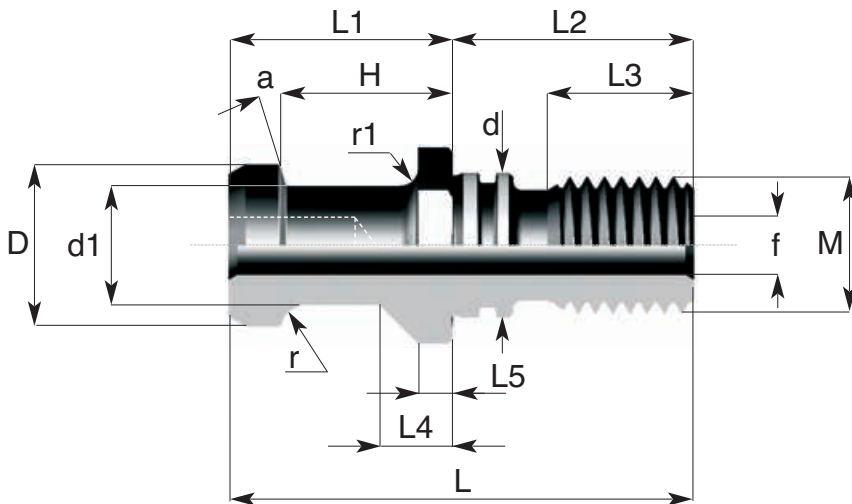
ACCESSORI PER MACCHINE UTENSILI



Schema di richiesta per tiranti speciali
 Request form for special pull studs
 Anfrageform für spezielle Anzugsbolzen
 Plan pour demande de tirettes spéciales

SCHEMA SPECIALI

14.
55



SK	M	d	H	a	r	D	L	L1	L2	L3	L4
L5	D1	d1	r1	f	CH	con OR					