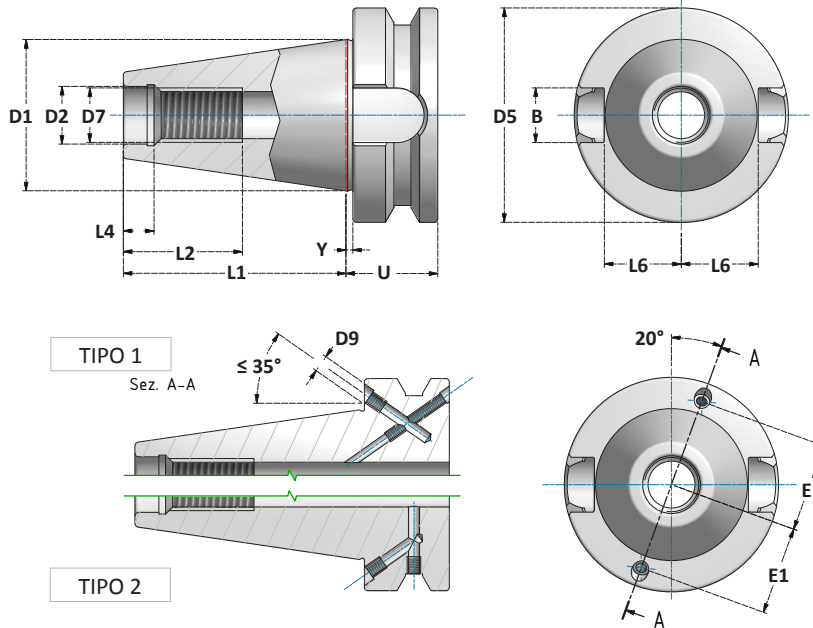


MANDRINI BT
BT TOOLHOLDERS

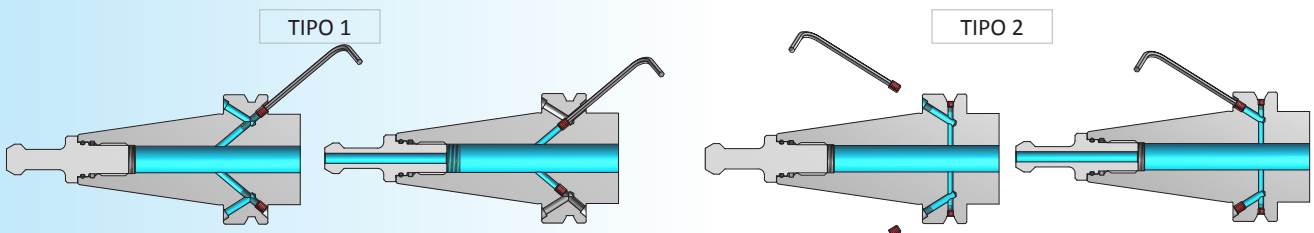


DIMENSIONI CONO
TAPER DIMENSIONS

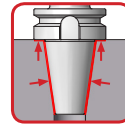
CONO / TAPER	B	D1	D2	D5	D7	D9	E1	L1	L2	L4	L6	Y	U
	$\begin{smallmatrix} +0,2 \\ 0 \end{smallmatrix}$		H8	h8	6H	Max		$\pm 0,3$	min.	min.	$\begin{smallmatrix} 0 \\ -0,3 \end{smallmatrix}$		$\begin{smallmatrix} 0 \\ -0,1 \end{smallmatrix}$
30	16,1	31,75	12,5	46	M12	-	-	48,4	24	7	16,3	2	22
40	16,1	44,45	17	63	M16	4	27	65,4	30	9	22,6	2	27
50	25,7	69,85	25	100	M24	6	42	101,8	45	13	35,4	3	38

I mandrini in forma AD+B possono essere usati per l'adduzione del refrigerante dalla flangia lasciando il grano aperto e per l'adduzione del refrigerante dal canale centrale chiudendo il grano (TIPO 1), oppure togliendo o lasciando il grano (TIPO2).

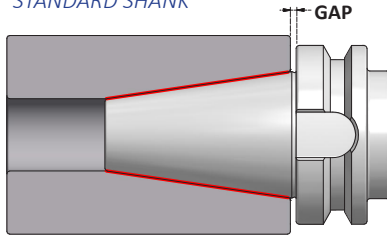
Toolholders AD+B can be used with coolant throught "V" flange with screw opened and with coolant through centre closing screw (TIPO 1), or removing and inserting screw (TIPO2).



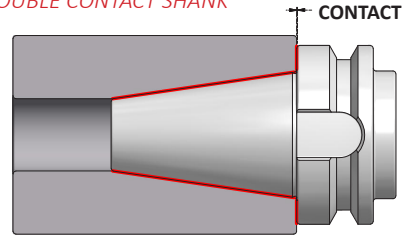
SISTEMA A DOPPIO CONTATTO CONO+FLANGIA
DOUBLE CONTACT TAPER+FLANGE SYSTEM



CONO STANDARD
STANDARD SHANK



CONO A DOPPIO CONTATTO
DOUBLE CONTACT SHANK



VANTAGGI

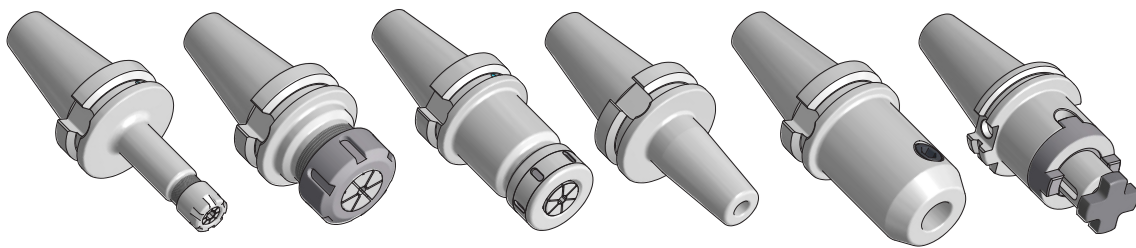
- Maggiore stabilità tra portautensile e naso macchina.
- Vibrazioni ridotte per una maggiore precisione durante i lavori ad alta velocità o i lavori gravosi.
- Ridotta usura dell'utensile.

BENEFITS

- Increased stiffness.
- Increased holding reliability.
- Increased tool position accuracy.
- Improved precision during high speed operations or heavy cutting applications.
- Extended tool life.

I mandrini MAS 403 BT con sistema a doppio contatto si identificano con il prefisso **D (es: DBT...).**

*Codes of toolholders MAS 403 BT with double contact system have prefix **D** (es: DBT...).*

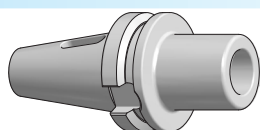
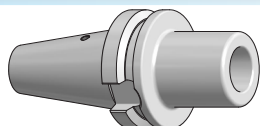
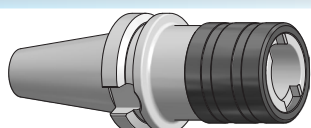
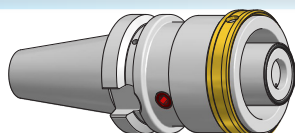
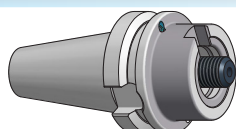
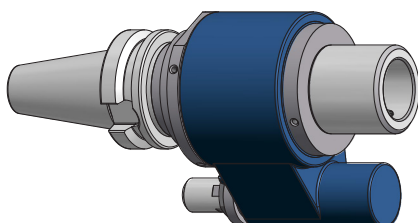


Esempio di codice in base alle caratteristiche del cono.

Example of code based on features of taper.

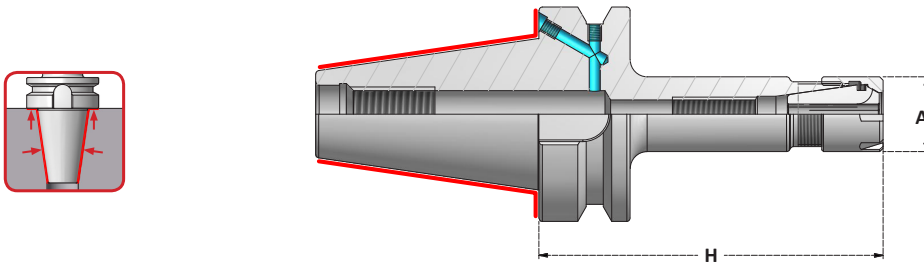
DOPPIO CONTATTO <i>DOUBLE CONTACT</i>	TIPO DI CONO <i>TAPER TYPE</i>	CANALINI LATERALI <i>SIDE CHANNELS</i>	GRANDEZZA CONO <i>TAPER SIZE</i>		SENZA PASSAGGIO DEL REFRIGERANTE <i>WITHOUT COOLANT THROUGH</i>	A
					PASSAGGIO DEL REFRIGERANTE CENTRALE <i>COOLANT FROM CENTRE</i>	AD
					PASSAGGIO DEL REFRIGERANTE CENTRALE O DALLA FLANGIA <i>COOLANT FROM CENTRE OR FLANGE</i>	AD+B
					DOPPIO CONTATTO CONO+FLANGIA <i>DOUBLE CONTACT</i>	

		MANDRINI PORTAPINZA ER - GHIERE MINI <i>COLLET CHUCKS ER - MINI NUTS</i>	DIN ISO 15488 (DIN6499)	<i>PAG. 110</i>
		MANDRINI PORTAPINZA ER - GHIERE STANDARD <i>COLLET CHUCKS ER - STANDARD NUTS</i>	DIN ISO 15488 (DIN6499)	<i>PAG. 113</i>
		MANDRINI PORTAPINZA EOC <i>COLLET CHUCKS EOC</i>	DIN ISO 10897 (DIN6388)	<i>PAG. 120</i>
		MANDRINI PORTAPINZA SKS <i>COLLET CHUCKS SKS</i>		<i>PAG. 121</i>
		MANDRINI PORTAPINZA P8 <i>COLLET CHUCKS P8</i>		<i>PAG. 122</i>
		MANDRINI A CALETTAMENTO A CALDO <i>SHRINK FIT CHUCKS</i>		<i>PAG. 123</i>
		MANDRINI A FORTE SERRAGGIO <i>POWER MILLING CHUCKS</i>		<i>PAG. 127</i>
		MANDRINI A SERRAGGIO IDRAULICO <i>HYDRAULIC CHUCKS</i>		<i>PAG. 128</i>
		MANDRINI PORTAFRESA CON ATTACCO FILETTATO <i>SCREW IN MILL CHUCKS</i>		<i>PAG. 130</i>
		MANDRINI PORTAFRESA WELDON <i>END MILL HOLDERS WELDON</i>	DIN 1835-2	<i>PAG. 131</i>
		MANDRINI PORTAFRESA COMBI <i>COMBI SHELL MILL HOLDERS</i>	DIN 6358	<i>PAG. 141</i>
		MANDRINI PORTAFRESA FISSI <i>SHELL MILL HOLDERS</i>	DIN 6357	<i>PAG. 143</i>

**RIDUZIONI A CONO MORSE PER PUNTE**
*MORSE TAPER ADAPTERS FOR DRILLS***DIN 6383***PAG. 147***RIDUZIONI A CONO MORSE PER FRESE**
*MORSE TAPER ADAPTERS FOR THREADED MILLS***DIN 6364***PAG. 148***MANDRINI DA TRAPANO**
*DRILL CHUCKS**PAG. 149***PORTAMASCHI**
*TAPPING CHUCKS**PAG. 153***RIDUZIONI**
*ADAPTERS**PAG. 156***MANDRINI MODULARI TIPO VARILOCK**
*MODULAR TOOLHOLDERS VARILOCK TYPE**PAG. 159***DISTRIBUTORI ROTANTI DEL REFRIGERANTE**
*OIL HOLE HOLDERS**PAG. 160***MANDRINI CON STELO LAVORABILE**
*BLANK ARBORS**PAG. 163***BARRE DI COLLAUDO**
*TEST ARBORS**PAG. 164*

MANDRINI PORTAPINZA ER A DOPPIO CONTATTO

DOUBLE CONTACT ER COLLET CHUCKS



Articolo	H	A	Collets Range	Ghiera Nut
DBT30.H70.ERC11M	70	16	1÷7	G11M
DBT30.H100.ERC11M	100	16	1÷7	G11M
DBT30.H70.ERC16M	70	22	1÷10	G16M
DBT30.H100.ERC16M	100	22	1÷10	G16M
DBT30.H70.ERC20M	70	28	1÷14	G20M
DBT30.H100.ERC20M	100	28	1÷14	G20M

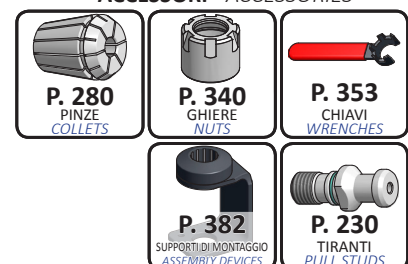


Articolo	H	A	Collets Range	Ghiera Nut
DBTB40.H70.ERC11M	70	16	1÷7	G11M
DBTB40.H100.ERC11M	100	16	1÷7	G11M
DBTB40.H70.ERC16M	70	22	1÷10	G16M
DBTB40.H100.ERC16M	100	22	1÷10	G16M
DBTB40.H70.ERC20M	70	28	1÷14	G20M
DBTB40.H100.ERC20M	100	28	1÷14	G20M



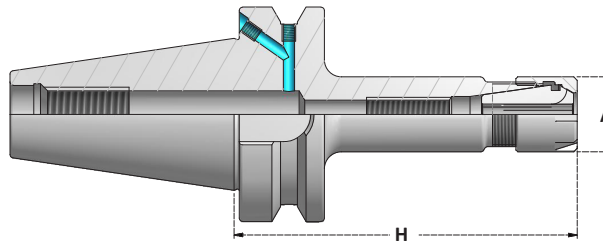
Articolo	H	A	Collets Range	Ghiera Nut
DBTB50.H100.ERC11M	100	16	1÷7	G11M
DBTB50.H100.ERC16M	100	22	1÷10	G16M
DBTB50.H100.ERC20M	100	28	1÷14	G20M

ACCESSORI - ACCESSORIES



MANDRINI PORTAPINZA ER

ER COLLET CHUCKS



Articolo	H	A	Collets Range	Ghiera Nut
BT30.H100.ERC8M	100	12	1÷5	G8M
BT30.H100.ERC11M	100	16	1÷7	G11M
BT30.H100.ERC16M	100	22	1÷10	G16M
BT30.H100.ERC20M	100	28	1÷14	G20M
BT30.H100.ERC25M	100	35	1÷20	G25M



Articolo	H	A	Collets Range	Ghiera Nut
BTB40.H100.ERC11M	100	16	1÷7	G11M
BTB40.H130.ERC11M	130	16	1÷7	G11M
BTB40.H160.ERC11M	160	16	1÷7	G11M
BTB40.H100.ERC16M	100	22	1÷10	G16M
BTB40.H130.ERC16M	130	22	1÷10	G16M
BTB40.H160.ERC16M	160	22	1÷10	G16M
BTB40.H200.ERC16M	200	22	1÷10	G16M
BTB40.H100.ERC20M	100	28	1÷14	G20M
BTB40.H130.ERC20M	130	28	1÷14	G20M
BTB40.H160.ERC20M	160	28	1÷14	G20M
BTB40.H200.ERC20M	200	28	1÷14	G20M
BTB40.H100.ERC25M	100	35	1÷20	G25M
BTB40.H130.ERC25M	130	35	1÷20	G25M
BTB40.H160.ERC25M	160	35	1÷20	G25M
BTB40.H200.ERC25M	200	35	1÷20	G25M

Fig2

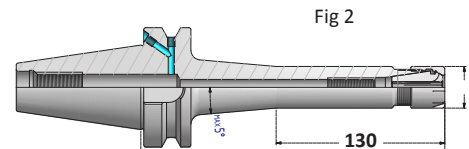


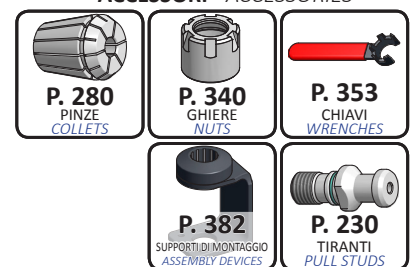
Fig 2

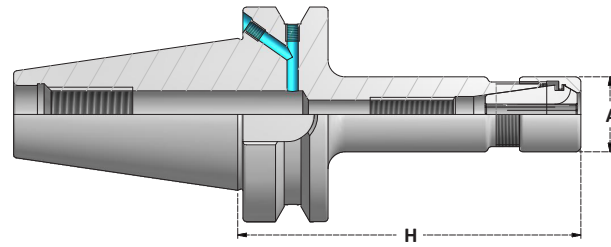


Articolo	H	A	Collets Range	Ghiera Nut
BTB50.H100.ERC16M	100	22	1÷10	G16M
BTB50.H130.ERC16M	130	22	1÷10	G16M
BTB50.H160.ERC16M	160	22	1÷10	G16M
BTB50.H200.ERC16M	200	22	1÷10	G16M
BTB50.H100.ERC20M	100	28	1÷14	G20M
BTB50.H130.ERC20M	130	28	1÷14	G20M
BTB50.H160.ERC20M	160	28	1÷14	G20M
BTB50.H200.ERC20M	200	28	1÷14	G20M
BTB50.H100.ERC25M	100	35	1÷20	G25M
BTB50.H130.ERC25M	130	35	1÷20	G25M
BTB50.H160.ERC25M	160	35	1÷20	G25M
BTB50.H200.ERC25M	200	35	1÷20	G25M

Fig2

ACCESSORI - ACCESSORIES



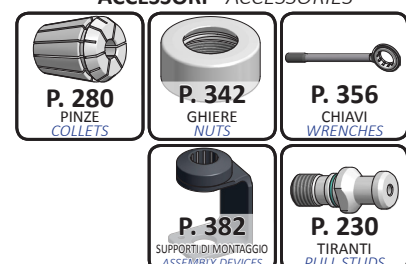
MANDRINI PORTAPINZA ER PER ALTE VELOCITA'
ER COLLET CHUCKS FOR HIGH SPEEDS


G2,5 25000.r.p.m. AD	Articolo	H	A	Collets Range	Ghiera Nut
		BT30.H100.ERC8MNF	100	12	1÷5
	BT30.H100.ERC11MNF	100	16	1÷7	G11MNF
	BT30.H100.ERC16MNF	100	22	1÷10	G16MNF
	BT30.H100.ERC20MNF	100	28	1÷14	G20MNF
	BT30.H100.ERC25MNF	100	35	1÷20	G25MNF

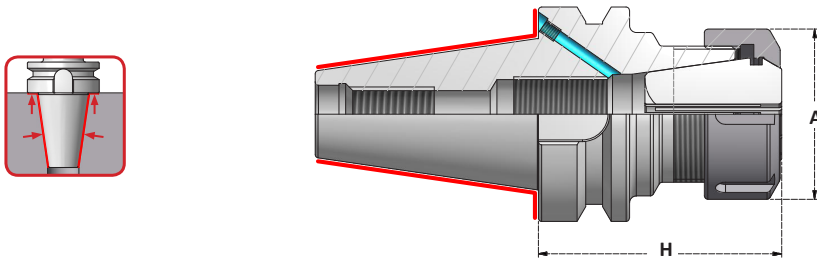


G2,5 25000.r.p.m. AD+B	Articolo	H	A	Collets Range	Ghiera Nut
		BTB40.H100.ERC11MNF	100	16	1÷7
	BTB40.H130.ERC11MNF	130	16	1÷7	G11MNF
	BTB40.H160.ERC11MNF	160	16	1÷7	G11MNF
	BTB40.H100.ERC16MNF	100	22	1÷10	G16MNF
	BTB40.H130.ERC16MNF	130	22	1÷10	G16MNF
	BTB40.H160.ERC16MNF	160	22	1÷10	G16MNF
	BTB40.H100.ERC20MNF	100	28	1÷14	G20MNF
	BTB40.H130.ERC20MNF	130	28	1÷14	G20MNF
	BTB40.H160.ERC20MNF	160	28	1÷14	G20MNF
	BTB40.H100.ERC25MNF	100	35	1÷20	G25MNF
	BTB40.H130.ERC25MNF	130	35	1÷20	G25MNF
	BTB40.H160.ERC25MNF	160	35	1÷20	G25MNF

ALTRI A RICHIESTA
OTHERS ON REQUEST

ACCESSORI - ACCESSORIES


MANDRINI A DOPPIO CONTATTO PORTAPINZA ER DOUBLE CONTACT ER COLLET CHUCKS



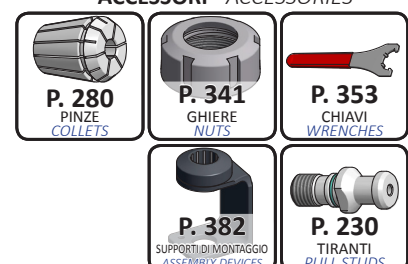
G2,5 25000.p.p.m. AD	Articolo	H	A	Collets Range	Ghiera Nut
		DBT30.H70.ERC16	70	28	1÷10
	DBT30.H70.ERC20	70	34	1÷14	G20SE
	DBT30.H70.ERC25	70	42	1÷20	G25S
	DBT30.H70.ERC32	70	50	2÷22	G32S
	DBT30.H80.ERC40	80	63	3÷30	G40S

G2,5 25000.p.p.m. AD+B	Articolo	H	A	Collets Range	Ghiera Nut
		DBTB40.H70.ERC16	70	28	1÷10
	DBTB40.H100.ERC16	100	28	1÷10	G16SE
	DBTB40.H70.ERC20	70	34	1÷14	G20SE
	DBTB40.H100.ERC20	100	34	1÷14	G20SE
	DBTB40.H70.ERC25	70	42	1÷20	G25S
	DBTB40.H100.ERC25	100	42	1÷20	G25S
	DBTB40.H70.ERC32	70	50	2÷22	G32S
	DBTB40.H100.ERC32	100	50	2÷22	G32S
	DBTB40.H70.ERC40	70	63	3÷30	G40S
	DBTB40.H100.ERC40	100	63	3÷30	G40S

G2,5 25000.p.p.m. AD+B	Articolo	H	A	Collets Range	Ghiera Nut
		DBTB50.H80.ERC16	80	28	1÷10
	DBTB50.H100.ERC16	100	28	1÷10	G16SE
	DBTB50.H80.ERC20	80	34	1÷14	G20SE
	DBTB50.H100.ERC20	100	34	1÷14	G20SE
	DBTB50.H80.ERC25	80	42	1÷20	G25S
	DBTB50.H100.ERC25	100	42	1÷20	G25S
	DBTB50.H80.ERC32	80	50	2÷22	G32S
	DBTB50.H100.ERC32	100	50	2÷22	G32S
	DBTB50.H130.ERC32	130	50	2÷22	G32S
	DBTB50.H160.ERC32	160	50	2÷22	G32S
	DBTB50.H200.ERC32	200	50	2÷22	G32S
	DBTB50.H80.ERC40	80	63	3÷30	G40S
	DBTB50.H100.ERC40	100	63	3÷30	G40S

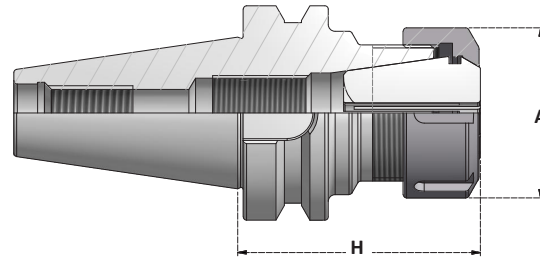


ACCESSORI - ACCESSORIES



MANDRINI PORTAPINZA ER

ER COLLET CHUCKS



Articolo	H	A	Collets Range	Ghiera Nut
BT30.H55.ERC16	55	28	1÷10	G16SE
BT30.H70.ERC16	70	28	1÷10	G16SE
BT30.H100.ERC16	100	28	1÷10	G16SE
BT30.H70.ERC20	70	34	1÷14	G20SE
BT30.H100.ERC20	100	34	1÷14	G20SE
BT30.H70.ERC25	70	42	1÷20	G25S
BT30.H100.ERC25	100	42	1÷20	G25S
BT30.H70.ERC32	70	50	2÷22	G32S
BT30.H100.ERC32	100	50	2÷22	G32S
BT30.H80.ERC40	80	63	3÷30	G40S
BT30.H100.ERC40	100	63	3÷30	G40S

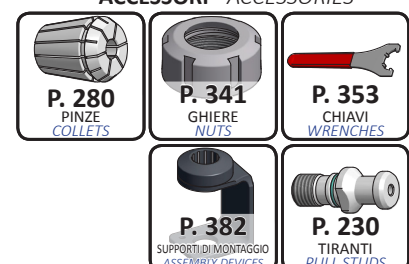


Articolo	H	A	Collets Range	Ghiera Nut
BT40.H70.ERC16	70	28	1÷10	G16SE
BT40.H70.ERC25	70	42	1÷20	G25S
BT40.H70.ERC32	70	50	2÷22	G32S
BT40.H100.ERC32	100	50	2÷22	G32S
BT40.H80.ERC40	80	63	3÷30	G40S
BT40.H100.ERC40	100	63	3÷30	G40S

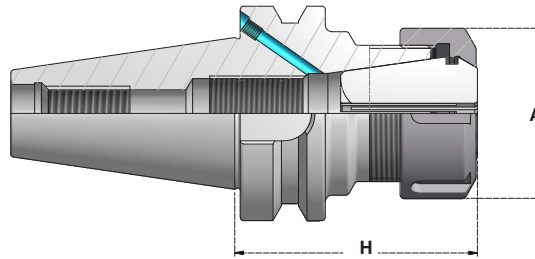


Articolo	H	A	Collets Range	Ghiera Nut
BT50.H80.ERC32	80	50	2÷22	G32S
BT50.H100.ERC32	100	50	2÷22	G32S
BT50.H80.ERC40	80	63	3÷30	G40S

ACCESSORI - ACCESSORIES



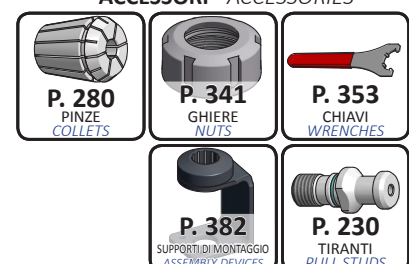
MANDRINI PORTAPINZA ER
ER COLLET CHUCKS



Articolo	H	A	Collets Range	Ghiera Nut
BTB40.H70.ERC16	70	28	1÷10	G16SE
BTB40.H100.ERC16	100	28	1÷10	G16SE
BTB40.H130.ERC16	130	28	1÷10	G16SE
BTB40.H160.ERC16	160	28	1÷10	G16SE
BTB40.H200.ERC16	200	28	1÷10	G16SE
BTB40.H70.ERC20	70	34	1÷14	G20SE
BTB40.H100.ERC20	100	34	1÷14	G20SE
BTB40.H130.ERC20	130	34	1÷14	G20SE
BTB40.H160.ERC20	160	34	1÷14	G20SE
BTB40.H200.ERC20	200	34	1÷14	G20SE
BTB40.H70.ERC25	70	42	1÷20	G25S
BTB40.H100.ERC25	100	42	1÷20	G25S
BTB40.H130.ERC25	130	42	1÷20	G25S
BTB40.H160.ERC25	160	42	1÷20	G25S
BTB40.H200.ERC25	200	42	1÷20	G25S
BTB40.H70.ERC32	70	50	2÷22	G32S
BTB40.H100.ERC32	100	50	2÷22	G32S
BTB40.H130.ERC32	130	50	2÷22	G32S
BTB40.H160.ERC32	160	50	2÷22	G32S
BTB40.H200.ERC32	200	50	2÷22	G32S
BTB40.H70.ERC40	70	63	3÷30	G40S
BTB40.H100.ERC40	100	63	3÷30	G40S
BTB40.H130.ERC40	130	63	3÷30	G40S
BTB40.H160.ERC40	160	63	3÷30	G40S
BTB40.H200.ERC40	200	63	3÷30	G40S
BTB40.H85.ERC50	85	78	6÷34	G50S

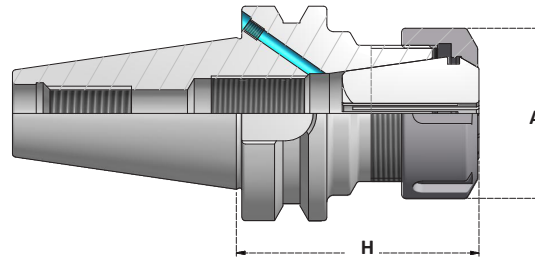


ACCESSORI - ACCESSORIES

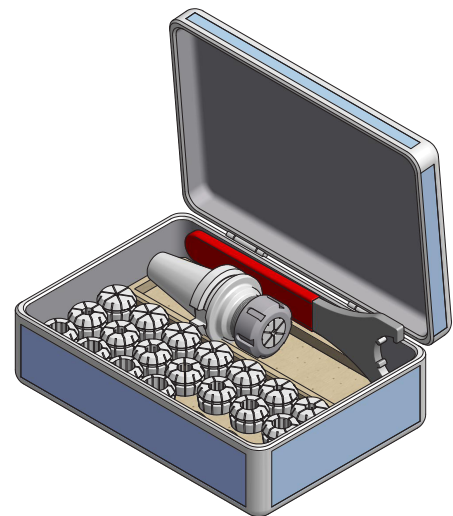


MANDRINI PORTAPINZA ER

ER COLLET CHUCKS



Articolo	H	A	Collets Range	Ghiera Nut
BTB50.H80.ERC16	80	28	1÷10	G16SE
BTB50.H100.ERC16	100	28	1÷10	G16SE
BTB50.H130.ERC16	130	28	1÷10	G16SE
BTB50.H160.ERC16	160	28	1÷10	G16SE
BTB50.H200.ERC16	200	28	1÷10	G16SE
BTB50.H80.ERC20	80	34	1÷14	G20SE
BTB50.H100.ERC20	100	34	1÷14	G20SE
BTB50.H130.ERC20	130	34	1÷14	G20SE
BTB50.H160.ERC20	160	34	1÷14	G20SE
BTB50.H200.ERC20	200	34	1÷14	G20SE
BTB50.H80.ERC25	80	42	1÷20	G25S
BTB50.H100.ERC25	100	42	1÷20	G25S
BTB50.H130.ERC25	130	42	1÷20	G25S
BTB50.H160.ERC25	160	42	1÷20	G25S
BTB50.H200.ERC25	200	42	1÷20	G25S
BTB50.H80.ERC32	80	50	2÷22	G32S
BTB50.H100.ERC32	100	50	2÷22	G32S
BTB50.H130.ERC32	130	50	2÷22	G32S
BTB50.H160.ERC32	160	50	2÷22	G32S
BTB50.H200.ERC32	200	50	2÷22	G32S
BTB50.H250.ERC32	250	50	2÷22	G32S
BTB50.H80.ERC40	80	63	3÷30	G40S
BTB50.H100.ERC40	100	63	3÷30	G40S
BTB50.H130.ERC40	130	63	3÷30	G40S
BTB50.H160.ERC40	160	63	3÷30	G40S
BTB50.H200.ERC40	200	63	3÷30	G40S
BTB50.H250.ERC40	250	63	3÷30	G40S
BTB50.H100.ERC50	100	78	6÷34	G50S
BTB50.H130.ERC50	130	78	6÷34	G50S
BTB50.H160.ERC50	160	78	6÷34	G50S



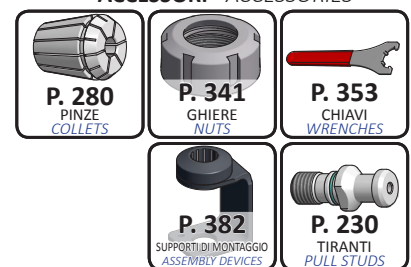
KIT - MANDRINO, CHIAVE E PINZE

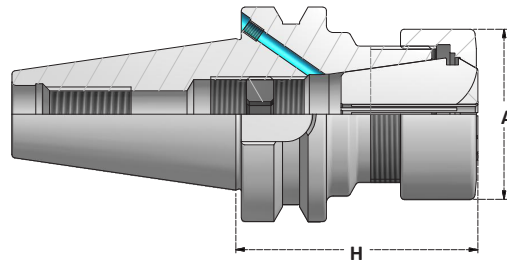
KIT - TOOLHOLDER, WRENCH AND COLLETS


Articolo	Pinze Collets	Mandrino Toolholder	Chiave Wrench
BX.BT30.ERC32	ERC32.D3÷20 x 1,0mm	BT30.H70.ERC32	CH32S
BX.BT40.ERC32	ERC32.D3÷20 x 1,0mm	BT40.H70.ERC32	CH32S
BX.BT50.ERC32	ERC32.D3÷20 x 1,0mm	BT50.H80.ERC32	CH32S
BX.BT30.ERC40	ERC40.D4÷26 x 1,0mm	BT30.H80.ERC40	CH40S
BX.BT40.ERC40	ERC40.D4÷26 x 1,0mm	BT40.H70.ERC40	CH40S
BX.BT50.ERC40	ERC40.D4÷26 x 1,0mm	BT50.H80.ERC40	CH40S

ALTRI A RICHIESTA
OTHERS ON REQUEST


ACCESSORI - ACCESSORIES



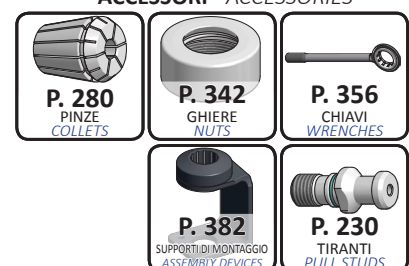
MANDRINI PORTAPINZA ER PER ALTE VELOCITA'
ER COLLET CHUCKS FOR HIGH SPEEDS


G2,5 25000.r.p.m. 	Articolo	H	A	Collets Range	Ghiera Nut
	BT30.H70.ERC16NF	70	32	1÷10	G16NF
	BT30.H70.ERC20NF	70	35	1÷14	G20NF
	BT30.H70.ERC25NF	70	42	1÷20	G25NF
	BT30.H70.ERC32NF	70	50	2÷22	G32NF

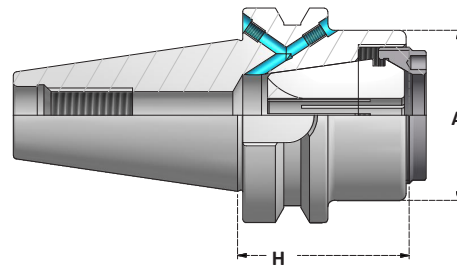
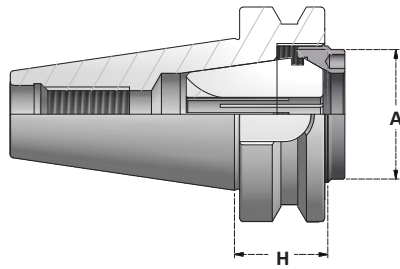


G2,5 25000.r.p.m. 	Articolo	H	A	Collets Range	Ghiera Nut
	BTB40.H70.ERC16NF	70	32	1÷10	G16NF
	BTB40.H100.ERC16NF	100	32	1÷10	G16NF
	BTB40.H130.ERC16NF	130	32	1÷10	G16NF
	BTB40.H160.ERC16NF	160	32	1÷10	G16NF
	BTB40.H70.ERC20NF	70	35	1÷14	G20NF
	BTB40.H100.ERC20NF	100	35	1÷14	G20NF
	BTB40.H130.ERC20NF	130	35	1÷14	G20NF
	BTB40.H160.ERC20NF	160	35	1÷14	G20NF
	BTB40.H70.ERC25NF	70	42	1÷20	G25NF
	BTB40.H100.ERC25NF	100	42	1÷20	G25NF
	BTB40.H130.ERC25NF	130	42	1÷20	G25NF
	BTB40.H160.ERC25NF	160	42	1÷20	G25NF
	BTB40.H70.ERC32NF	70	50	2÷22	G32NF
	BTB40.H100.ERC32NF	100	50	2÷22	G32NF
	BTB40.H130.ERC32NF	130	50	2÷22	G32NF
	BTB40.H160.ERC32NF	160	50	2÷22	G32NF

ALTRI A RICHIESTA
OTHERS ON REQUEST

ACCESSORI - ACCESSORIES


MANDRINI PORTAPINZA ER - EXTRACORTI
ER COLLET CHUCKS - STUB LENGTH



Articolo	H	A	Collets Range	Ghiera Nut
BT40.H29.ERC25A	29	32	1÷20	G25A
BT40.H29.ERC32A	29	40	2÷22	G32A



Articolo	H	A	Collets Range	Ghiera Nut
BTB40.H50.ERC32A	50	50	2÷22	G32A



Articolo	H	A	Collets Range	Ghiera Nut
BTB50.H40.ERC32A	40	50	2÷22	G32A



GHIERE CON FILETTATURA **ESTERNA**
NUTS WITH **EXTERNAL** THREAD

A

GHIERE CON FILETTATURA **ESTERNA**
NUTS WITH **EXTERNAL** THREAD

ACCESSORI - ACCESSORIES



P. 280
PINZE
COLLETS



P. 346
GHIERE
NUTS



P. 353
CHIAVI
WRENCHES



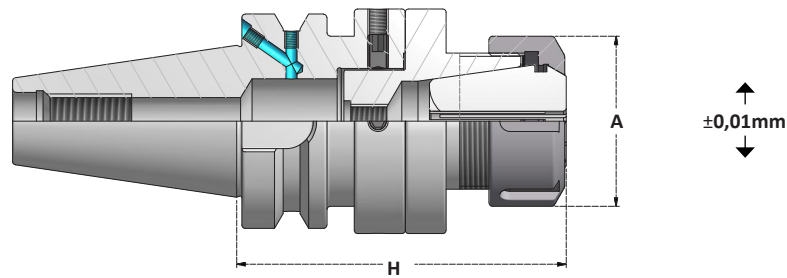
P. 382
SUPPORTI DI MONTAGGIO
ASSEMBLY DEVICES



P. 230
TIRANTI
PULL STUDS

MANDRINI PORTAPINZA ER A CENTRATURA REGOLABILE

RUNOUT ADJUSTABLE ER COLLET CHUCKS

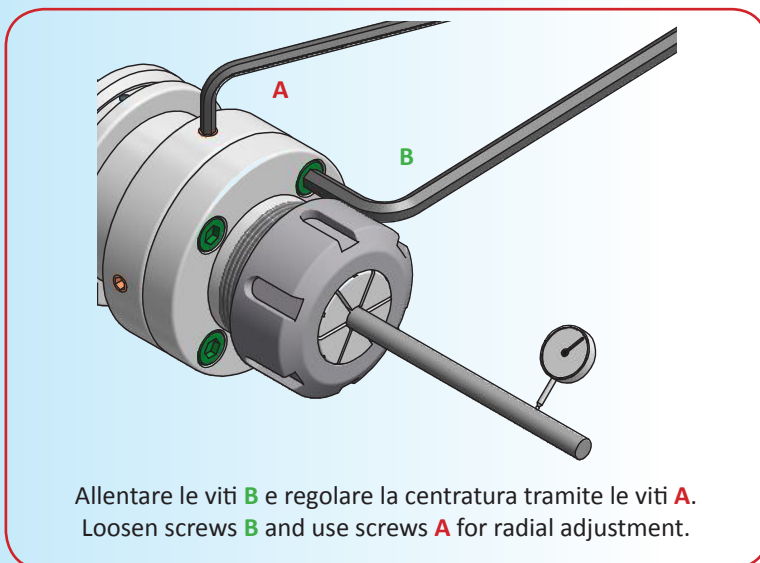


Articolo	H	A	Collets Range	Ghiera Nut
BTB40.H93.ERC16RG	93	28	1÷10	G16SE
BTB40.H95.ERC20RG	95	34	1÷14	G20SE
BTB40.H96.ERC25RG	96	42	1÷20	G25S
BTB40.H97.ERC32RG	97	50	2÷22	G32S
BTB40.H131.ERC40RG	131	63	3÷30	G40S

Centratura regolabile 0,01mm
Adjustable runout 0,01mm

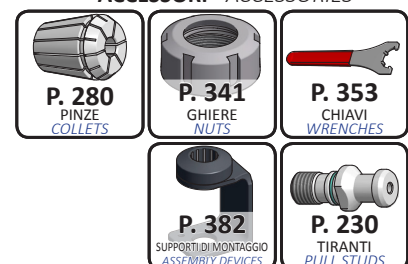


Articolo	H	A	Collets Range	Ghiera Nut
BTB50.H103.ERC16RG	103	28	1÷10	G16SE
BTB50.H105.ERC20RG	105	34	1÷14	G20SE
BTB50.H106.ERC25RG	106	42	1÷20	G25S
BTB50.H107.ERC32RG	107	50	2÷22	G32S
BTB50.H141.ERC40RG	141	63	3÷30	G40S



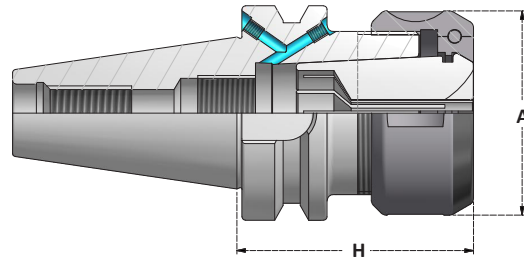
Allentare le viti **B** e regolare la centratura tramite le viti **A**.
Loosen screws **B** and use screws **A** for radial adjustment.


ACCESSORI - ACCESSORIES




MANDRINI PORTAPINZA EOC

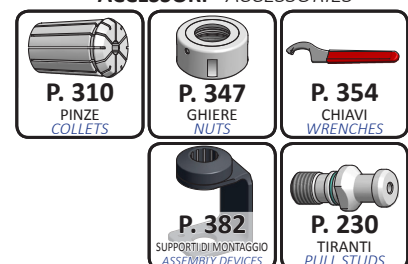
EOC COLLET CHUCKS



G6,3 15000 _{pp.m.} AD+B	Articolo	H	A	Collets Range	Ghiera Nut
		BTB40.H70.EOC16	70	43	2÷16
	BTB40.H100.EOC16	100	43	2÷16	G16OCC
	BTB40.H70.EOC25	70	60	2÷25	G25OCC
	BTB40.H100.EOC25	100	60	2÷25	G25OCC
	BTB40.H90.EOC32	90	72	3÷32	G32OCC

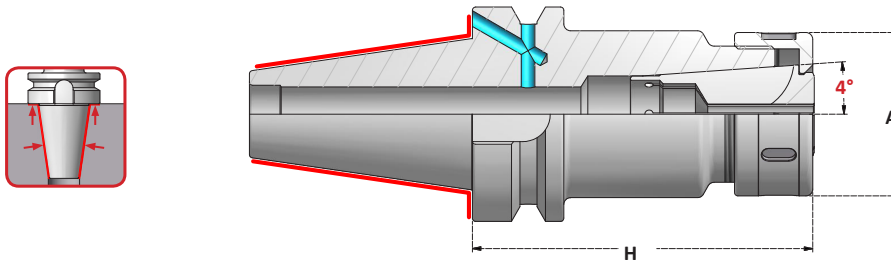
G6,3 15000 _{pp.m.} AD+B	Articolo	H	A	Collets Range	Ghiera Nut
		BTB50.H70.EOC16	70	43	2÷16
	BTB50.H70.EOC25	70	60	2÷25	G25OCC
	BTB50.H80.EOC32	80	72	3÷32	G32OCC

ACCESSORI - ACCESSORIES



MANDRINI A DOPPIO CONTATTO PORTAPINZA SKS

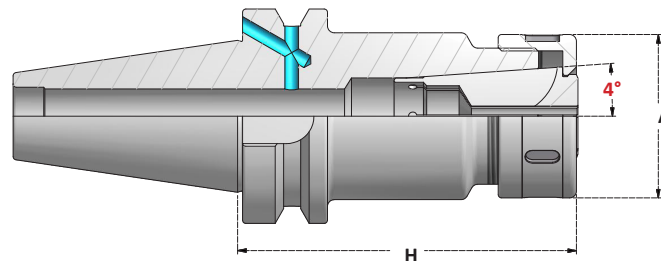
DOUBLE CONTACT SKS COLLET CHUCKS



Articolo	H	A	Collets Range	Ghiera Nut
DBTB40.H90.SKS10	90	30	2÷10	G10SKS
DBTB40.H90.SKS16	90	40	3÷16	G16SKS
DBTB40.H90.SKS20	90	48,5	3÷20	G20SKS
DBTB40.H90.SKS25	90	55,1	3÷25	G25SKS

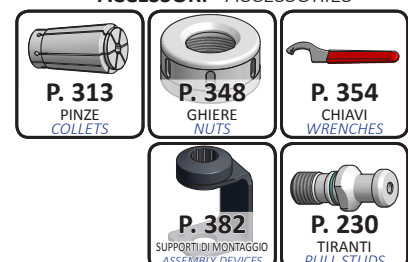
MANDRINI PORTAPINZA SKS

SKS COLLET CHUCKS

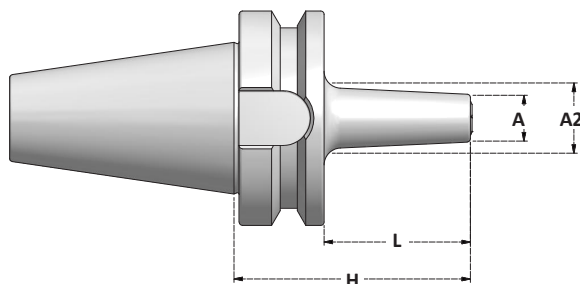


Articolo	H	A	Collets Range	Ghiera Nut
BTB40.H90.SKS10	90	30	2÷10	G10SKS
BTB40.H90.SKS16	90	40	3÷16	G16SKS
BTB40.H90.SKS20	90	48,5	3÷20	G20SKS
BTB40.H90.SKS25	90	55,1	3÷25	G25SKS

ACCESSORI - ACCESSORIES

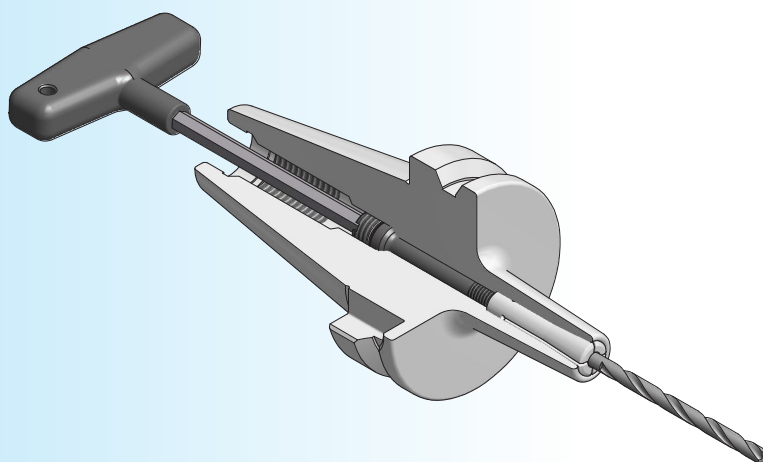


MANDRINI PORTAPINZA P8
P8 SLIM FIT COLLET CHUCKS

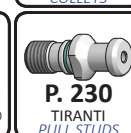


Articolo	H	L	A	A2	Collets Range
BT40.H70.P8	70	36	14	17	3+6
BT50.H70.P8	70	36	14	17	3+6

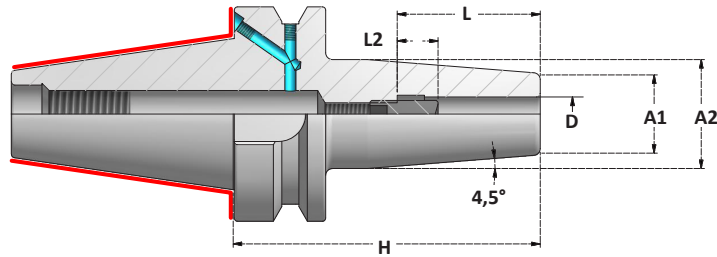
ALTRI A RICHIESTA
OTHERS ON REQUEST



ACCESSORI - ACCESSORIES



MANDRINI A DOPPIO CONTATTO A CALETTAMENTO A CALDO DOUBLE CONTACT SHRINK FIT CHUCKS



Articolo	D	H	L	L2	A1	A2
DBT30.H80.TM4	4	80	16	10	15	25
DBT30.H80.TM5	5	80	20	10	15	25
DBT30.H80.TM6	6	80	36	10	21	27
DBT30.H80.TM8	8	80	36	10	21	27
DBT30.H80.TM10	10	80	41	10	24	32
DBT30.H80.TM12	12	80	46	10	24	32
DBT30.H80.TM16	16	80	49	10	27	34
DBT30.H90.TM20	20	90	51	10	33	42



Articolo	D	H	L	L2	A1	A2
DBTB40.H90.TM3	3	90	12	10	10	20
DBTB40.H90.TM4	4	90	16	10	15	25
DBTB40.H90.TM5	5	90	20	10	15	25
DBTB40.H90.TM6	6	90	36	10	21	27
DBTB40.H90.TM8	8	90	36	10	21	27
DBTB40.H90.TM10	10	90	41	10	24	32
DBTB40.H90.TM12	12	90	46	10	24	32
DBTB40.H90.TM14	14	90	46	10	27	34
DBTB40.H90.TM16	16	90	49	10	27	34
DBTB40.H100.TM18	18	100	49	10	33	42
DBTB40.H100.TM20	20	100	51	10	33	42
DBTB40.H100.TM25	25	100	57	10	44	53
DBTB40.H100.TM32	32	100	61	10	44	53

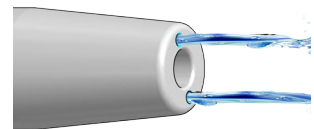


Articolo	D	H	L	L2	A1	A2
DBTB50.H100.TM3	3	100	12	10	10	20
DBTB50.H100.TM4	4	100	16	10	15	25
DBTB50.H100.TM5	5	100	20	10	15	25
DBTB50.H100.TM6	6	100	36	10	21	27
DBTB50.H100.TM8	8	100	36	10	21	27
DBTB50.H100.TM10	10	100	41	10	24	32
DBTB50.H100.TM12	12	100	46	10	24	32
DBTB50.H100.TM14	14	100	46	10	27	34
DBTB50.H100.TM16	16	100	49	10	27	34
DBTB50.H100.TM18	18	100	49	10	33	42
DBTB50.H100.TM20	20	100	51	10	33	42
DBTB50.H110.TM25	25	110	57	10	44	53
DBTB50.H110.TM32	32	110	61	10	44	53

Profondità regolabile L2
Adjustable depth L2

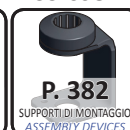


Con 4 fori per la bilanciatura.
Grani non compresi.
With 4 holes for balancing.
Screws not supplied.



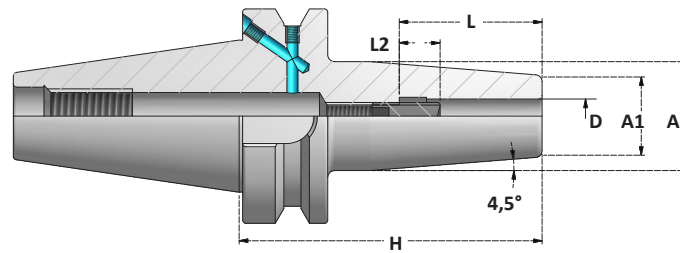
Mandrini a calettamento con canali per refrigerante fornibili a richiesta.
Shrink fit holders with coolant channels on request.

ACCESSORI - ACCESSORIES



MANDRINI A CALETTAMENTO A CALDO

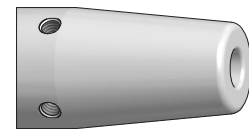
SHRINK FIT CHUCKS



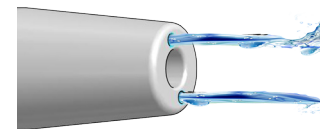
Articolo	D	H	L	L2	A1	A2
BTB40.H90.TM3	3	90	12	10	10	20
* BTB40.H120.TM3	3	120	12	/	10	20
* BTB40.H160.TM3	3	160	12	/	10	20
BTB40.H90.TM4	4	90	16	10	15	25
* BTB40.H120.TM4	4	120	16	/	15	25
* BTB40.H160.TM4	4	160	16	/	15	25
BTB40.H90.TM5	5	90	20	10	15	25
* BTB40.H120.TM5	5	120	20	/	15	25
* BTB40.H160.TM5	5	160	20	/	15	25
BTB40.H90.TM6	6	90	36	10	21	27
BTB40.H130.TM6	6	130	36	10	21	27
BTB40.H160.TM6	6	160	36	10	21	27
BTB40.H90.TM8	8	90	36	10	21	27
BTB40.H130.TM8	8	130	36	10	21	27
BTB40.H160.TM8	8	160	36	10	21	27
BTB40.H90.TM10	10	90	41	10	24	32
BTB40.H130.TM10	10	130	41	10	24	32
BTB40.H160.TM10	10	160	41	10	24	32
BTB40.H90.TM12	12	90	46	10	24	32
BTB40.H130.TM12	12	130	46	10	24	32
BTB40.H160.TM12	12	160	46	10	24	32
BTB40.H90.TM14	14	90	46	10	24	32
BTB40.H130.TM14	14	130	46	10	24	32
BTB40.H160.TM14	14	160	46	10	24	32
BTB40.H90.TM16	16	90	49	10	24	32
BTB40.H130.TM16	16	130	49	10	24	32
BTB40.H160.TM16	16	160	49	10	24	32
BTB40.H90.TM18	18	90	49	10	33	42
BTB40.H130.TM18	18	130	49	10	33	42
BTB40.H160.TM18	18	160	49	10	33	42
BTB40.H90.TM20	20	90	51	10	33	42
BTB40.H130.TM20	20	130	51	10	33	42
BTB40.H160.TM20	20	160	51	10	33	42
BTB40.H100.TM25	25	100	57	10	44	53
BTB40.H130.TM25	25	130	57	10	44	53
BTB40.H160.TM25	25	160	57	10	44	53
BTB40.H100.TM32	32	100	61	10	44	53
BTB40.H130.TM32	32	130	61	10	44	53
BTB40.H160.TM32	32	160	61	10	44	53

* Senza vite di regolazione / Without adjusting screw

Profondità regolabile L2
Adjustable depth L2

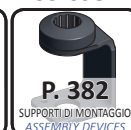


Con 4 fori per la bilanciatura.
Grani non compresi.
With 4 holes for balancing.
Screws not supplied.



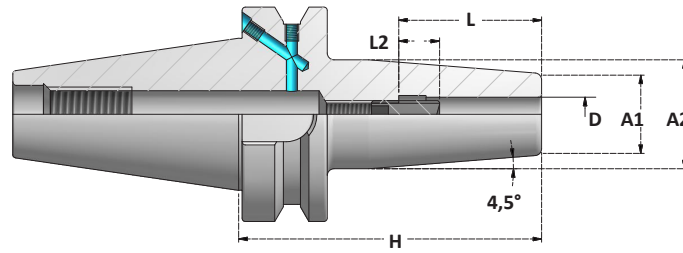
Mandrini a calettamento con canali per refrigerante fornibili a richiesta.
Shrink fit holders with coolant channels on request.

ACCESSORI - ACCESSORIES



MANDRINI A CALETTAMENTO A CALDO

SHRINK FIT CHUCKS



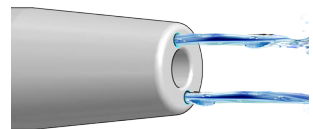
Articolo	D	H	L	L2	A1	A2
BTB50.H100.TM3	3	100	12	10	10	16
* BTB50.H120.TM3	3	120	12	/	10	16
* BTB50.H160.TM3	3	160	12	/	10	16
BTB50.H100.TM4	4	100	16	10	12	20
* BTB50.H120.TM4	4	120	16	/	12	20
* BTB50.H160.TM4	4	160	16	/	12	20
BTB50.H100.TM5	5	100	20	10	12	21,6
* BTB50.H120.TM5	5	120	20	/	12	22
* BTB50.H160.TM5	5	160	20	/	12	22
BTB50.H100.TM6	6	100	36	10	21	27
BTB50.H120.TM6	6	120	36	10	21	27
BTB50.H160.TM6	6	160	36	10	21	27
BTB50.H100.TM8	8	100	36	10	21	27
BTB50.H120.TM8	8	120	36	10	21	27
BTB50.H160.TM8	8	160	36	10	21	27
BTB50.H100.TM10	10	100	41	10	24	32
BTB50.H120.TM10	10	120	41	10	24	32
BTB50.H160.TM10	10	160	41	10	24	32
BTB50.H100.TM12	12	100	46	10	24	32
BTB50.H120.TM12	12	120	46	10	24	32
BTB50.H160.TM12	12	160	46	10	24	32
BTB50.H100.TM14	14	100	46	10	27	34
BTB50.H120.TM14	14	120	46	10	27	34
BTB50.H160.TM14	14	160	46	10	27	34
BTB50.H100.TM16	16	100	49	10	27	34
BTB50.H120.TM16	16	120	49	10	27	34
BTB50.H160.TM16	16	160	49	10	27	34
BTB50.H100.TM18	18	100	49	10	33	42
BTB50.H120.TM18	18	120	49	10	33	42
BTB50.H160.TM18	18	160	49	10	33	42
BTB50.H100.TM20	20	100	51	10	33	42
BTB50.H120.TM20	20	120	51	10	33	42
BTB50.H160.TM20	20	160	51	10	33	42
BTB50.H110.TM25	25	110	57	10	44	53
BTB50.H120.TM25	25	120	57	10	44	53
BTB50.H160.TM25	25	160	57	10	44	53
BTB50.H110.TM32	32	110	61	10	44	53
BTB50.H120.TM32	32	120	61	10	44	53
BTB50.H160.TM32	32	160	61	10	44	53

* Senza vite di regolazione / Without adjusting screw

Profondità regolabile L2
Adjustable depth L2



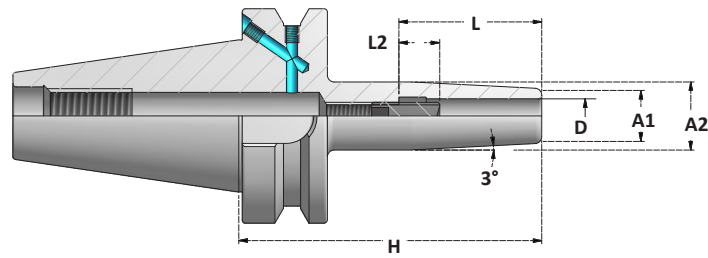
Con 4 fori per la bilanciatura.
Grani non compresi.
With 4 holes for balancing.
Screws not supplied.



Mandrini a calettamento con canali per refrigerante fornibili a richiesta.
Shrink fit holders with coolant channels on request.

ACCESSORI - ACCESSORIES



MANDRINI A CALETTAMENTO A CALDO SLIM
SLIM SHRINK FIT CHUCKS


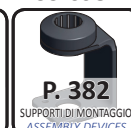
Articolo	D	H	L	L2	A1	A2
BTB40.H90.TM3SL	3	90	12	10	9	13
* BTB40.H120.TM3SL	3	120	12	/	9	16
BTB40.H90.TM4SL	4	90	16	10	10	15
* BTB40.H120.TM4SL	4	120	16	/	10	20
BTB40.H90.TM5SL	5	90	20	10	11	16
* BTB40.H120.TM5SL	5	120	20	/	11	20
BTB40.H90.TM6SL	6	90	36	10	12	17
BTB40.H130.TM6SL	6	130	36	10	12	19
BTB40.H160.TM6SL	6	160	36	10	12	19
BTB40.H90.TM8SL	8	90	36	10	14	19
BTB40.H130.TM8SL	8	130	36	10	14	21
BTB40.H160.TM8SL	8	160	36	10	14	21
BTB40.H90.TM10SL	10	90	41	10	16	21
BTB40.H130.TM10SL	10	130	41	10	16	23
BTB40.H160.TM10SL	10	160	41	10	16	23
BTB40.H90.TM12SL	12	90	46	10	18	23
BTB40.H130.TM12SL	12	130	46	10	18	25
BTB40.H160.TM12SL	12	160	46	10	18	25
BTB40.H90.TM14SL	14	90	46	10	22	25
BTB40.H130.TM14SL	14	130	46	10	22	27
BTB40.H160.TM14SL	14	160	46	10	22	27
BTB40.H90.TM16SL	16	90	49	10	24	29
BTB40.H130.TM16SL	16	130	49	10	24	31
BTB40.H160.TM16SL	16	160	49	10	24	31
BTB40.H90.TM18SL	18	90	49	10	28	34
BTB40.H130.TM18SL	18	130	49	10	28	35
BTB40.H160.TM18SL	18	160	49	10	28	35
BTB40.H90.TM20SL	20	90	51	10	32	39
BTB40.H130.TM20SL	20	130	51	10	32	39
BTB40.H160.TM20SL	20	160	51	10	32	39

* Senza vite di regolazione / Without adjusting screw

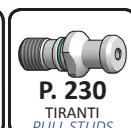
Profondità regolabile L2
Adjustable depth L2

ACCESSORI - ACCESSORIES


P. 266
PROLUNGHE
EXTENSIONS



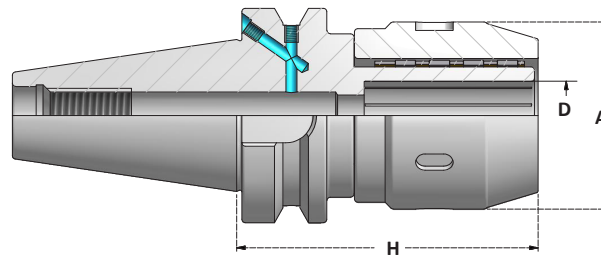
P. 382
SUPPORTI DI MONTAGGIO
ASSEMBLY DEVICES



P. 230
TIRANTI
PULL STUDS

MANDRINI A FORTE SERRAGGIO

POWER MILLING CHUCKS

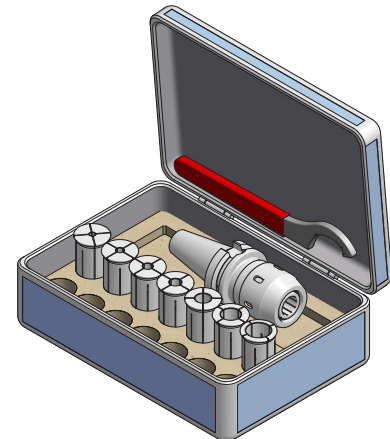


 	Articolo	D	H	A
	BTB40.H100.FS20	20	100	55
	BTB40.H100.FS32	32	100	69

 	Articolo	D	H	A
	BTB50.H105.FS20	20	105	55
	BTB50.H105.FS32	32	105	69

I TAGLI LONGITUDINALI PER TUTTA LA LUNGHEZZA DELLA SEDE PORTAUTENSILE AUMENTANO LA FORZA DI SERRAGGIO MA NON PERMETTONO LA TOTALE TENUTA DEL LIQUIDO REFRIGERANTE.

LONGITUDINAL CUTS ALL ALONG SEAT OF TOOL INCREASE CLAMPING FORCE BUT DO NOT ALLOW TOTAL SEALING.



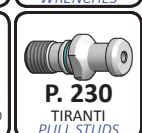
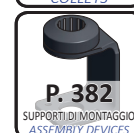
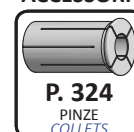
KIT - MANDRINO, CHIAVE E PINZE

KIT - TOOLHOLDER, WRENCH AND COLLETS

Articolo	Pinze Collets	Mandrino con chiave Toolholder with wrench
BX.BTB40.FS20	4SR20.D6-D8-D10-D12-D16	BTB40.H100.FS20
BX.BTB40.FS32	4SR32.D6-D8-D10-D12-D16-D20-D25	BTB40.H100.FS32

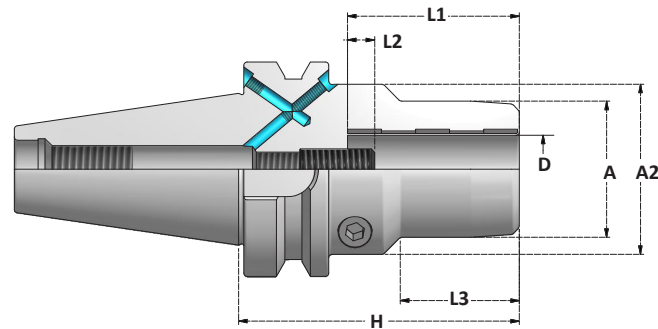
Articolo	Pinze Collets	Mandrino con chiave Toolholder with wrench
BX.BTB50.FS20	4SR20.D6-D8-D10-D12-D16	BTB50.H105.FS20
BX.BTB50.FS32	4SR32.D6-D8-D10-D12-D16-D20-D25	BTB50.H105.FS32


ACCESSORI - ACCESSORIES




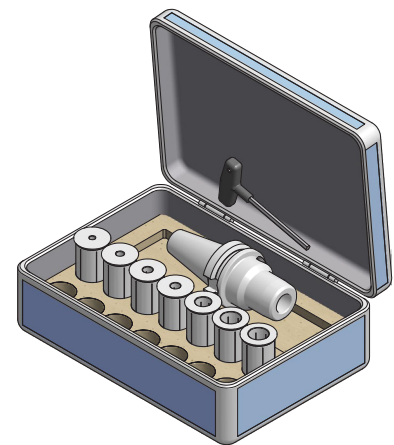
MANDRINI IDRAULICI

HYDRAULIC CHUCKS



G2,5 25000 r.p.m. 	Articolo	D	H	L1	L2	L3	A	A2
	BTB40.H73.HY20	20	73	51	10	/	49,5	/

G2,5 25000 r.p.m. 	Articolo	D	H	L1	L2	L3	A	A2
	BTB40.H90.HY6	6	90	37	10	40	26	49,5
	BTB40.H140.HY6	6	140	37	10	40	26	49,5
	BTB40.H90.HY8	8	90	37	10	40	28	49,5
	BTB40.H140.HY8	8	140	37	10	40	28	49,5
	BTB40.H90.HY10	10	90	41	10	40	30	49,5
	BTB40.H140.HY10	10	140	41	10	40	30	49,5
	BTB40.H90.HY12	12	90	46	10	40	32	49,5
	BTB40.H140.HY12	12	140	46	10	40	32	49,5
	BTB40.H90.HY14	14	90	46	10	40	34	49,5
	BTB40.H140.HY14	14	140	46	10	40	34	49,5
	BTB40.H90.HY16	16	90	49	10	46	38	49,5
	BTB40.H140.HY16	16	140	49	10	46	38	49,5
	BTB40.H90.HY18	18	90	49	10	46	40	49,5
	BTB40.H140.HY18	18	140	49	10	46	40	49,5
	BTB40.H90.HY20	20	90	51	10	46	42	49,5
	BTB40.H140.HY20	20	140	51	10	46	42	49,5
	BTB40.H90.HY25	25	90	57	10	76	49,5	55
	BTB40.H140.HY25	25	140	57	10	91	49,5	55
	BTB40.H90.HY32	32	90	61	10	76	56	63
	BTB40.H140.HY32	32	140	61	10	91	56	63



KIT - MANDRINO, CHIAVE E PINZE

KIT - TOOLHOLDER, WRENCH AND COLLETS

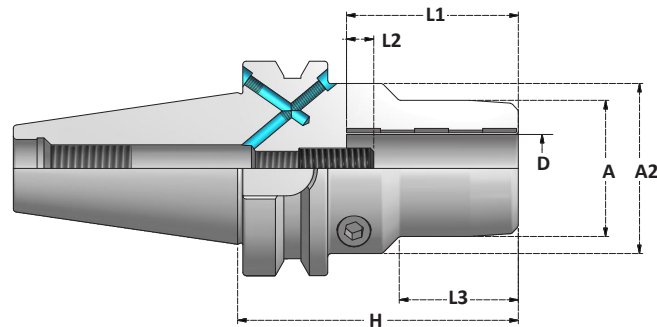
Articolo	Pinze Collets	Mandrino con chiave Toolholder with wrench
BX.BTB40.HY20	6SR20.D6-D8-D10-D12-D16	BTB40.H90.HY20
BX.BTB40.HY32	6SR32.D6-D8-D10-D12-D16-D20-D25	BTB40.H90.HY32

ALTRE LUNGHEZZE RICHIESTA
OTHER LENGTHS ON REQUEST

ACCESSORI - ACCESSORIES



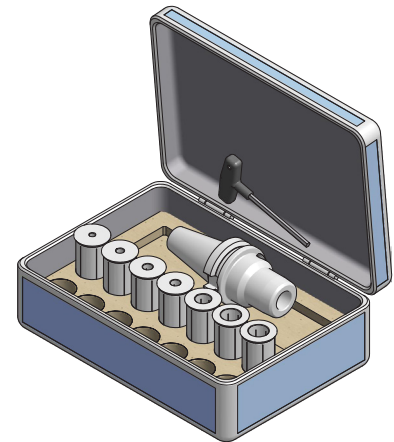
MANDRINI IDRAULICI HYDRAULIC CHUCKS



Articolo	D	H	L1	L2	L3	A	A2
BTB50.H90.HY32	32	90	61	10	/	72	/



Articolo	D	H	L1	L2	L3	A	A2
BTB50.H110.HY6	6	110	37	10	40	26	49,5
BTB50.H140.HY6	6	140	37	10	40	26	49,5
BTB50.H110.HY8	8	110	37	10	40	28	49,5
BTB50.H140.HY8	8	140	37	10	40	28	49,5
BTB50.H110.HY10	10	110	41	10	40	30	49,5
BTB50.H140.HY10	10	140	41	10	40	30	49,5
BTB50.H110.HY12	12	110	46	10	40	32	49,5
BTB50.H140.HY12	12	140	46	10	40	32	49,5
BTB50.H110.HY14	14	110	46	10	40	34	49,5
BTB50.H140.HY14	14	140	46	10	40	34	49,5
BTB50.H110.HY16	16	110	49	10	46	38	49,5
BTB50.H140.HY16	16	140	49	10	46	38	49,5
BTB50.H110.HY18	18	110	49	10	46	40	49,5
BTB50.H140.HY18	18	140	49	10	46	40	49,5
BTB50.H110.HY20	20	110	51	10	46	42	49,5
BTB50.H140.HY20	20	140	51	10	46	42	49,5
BTB50.H110.HY25	25	110	57	10	55	49,5	55
BTB50.H140.HY25	25	140	57	10	55	49,5	55
BTB50.H115.HY32	32	115	61	10	55	56	63
BTB50.H140.HY32	32	140	61	10	55	56	63



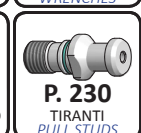
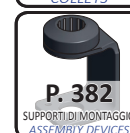
KIT - MANDRINO, CHIAVE E PINZE

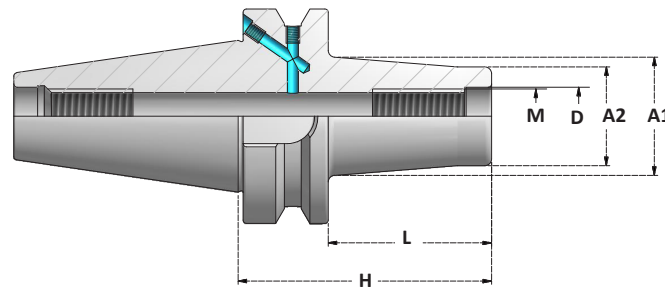
KIT - TOOLHOLDER, WRENCH AND COLLETS

Articolo	Pinze Collets	Mandrino con chiave Toolholder with wrench
BX.BTB50.HY20	6SR20.D6-D8-D10-D12-D16	BTB50.H110.HY20
BX.BTB50.HY32	6SR32.D6-D8-D10-D12-D16-D20-D25	BTB50.H115.HY32

**ALTRE LUNGHEZZE RICHIESTA
OTHER LENGTHS ON REQUEST**

ACCESSORI - ACCESSORIES



MANDRINI PER FRESE CON ATTACCO FILETTATO
SCREW IN MILL CHUCKS


Articolo	M	D	H	L	A1	A2
BTB40.H63.M8CPY	M8	8,5	63	36	15	13
BTB40.H83.M8CPY	M8	8,5	83	56	23	13
BTB40.H103.M8CPY	M8	8,5	103	76	23	13
BTB40.H123.M8CPY	M8	8,5	123	96	25	13
BTB40.H63.M10CPY	M10	10,5	63	36	20	18
BTB40.H83.M10CPY	M10	10,5	83	56	25	18
BTB40.H103.M10CPY	M10	10,5	103	76	28	18
BTB40.H123.M10CPY	M10	10,5	123	96	28	18
BTB40.H153.M10CPY	M10	10,5	153	126	34	18
BTB40.H63.M12CPY	M12	12,5	63	36	24	21
BTB40.H83.M12CPY	M12	12,5	83	56	24	21
BTB40.H103.M12CPY	M12	12,5	103	76	31	21
BTB40.H123.M12CPY	M12	12,5	123	96	31	21
BTB40.H153.M12CPY	M12	12,5	153	126	38	21
BTB40.H183.M12CPY	M12	12,5	183	156	42	21
BTB40.H63.M16CPY	M16	17	63	36	34	29
BTB40.H83.M16CPY	M16	17	83	56	34	29
BTB40.H103.M16CPY	M16	17	103	76	34	29
BTB40.H123.M16CPY	M16	17	123	96	39	29
BTB40.H153.M16CPY	M16	17	153	126	39	29
BTB40.H183.M16CPY	M16	17	183	156	39	29



Articolo	M	D	H	L	A1	A2
BTB50.H104.M10CPY	M10	10,5	104	66	28	18
BTB50.H154.M10CPY	M10	10,5	154	116	28	18
BTB50.H104.M12CPY	M12	12,5	104	66	32	21
BTB50.H154.M12CPY	M12	12,5	154	116	32	21
BTB50.H104.M16CPY	M16	17	104	66	36	29
BTB50.H154.M16CPY	M16	17	154	116	40	29

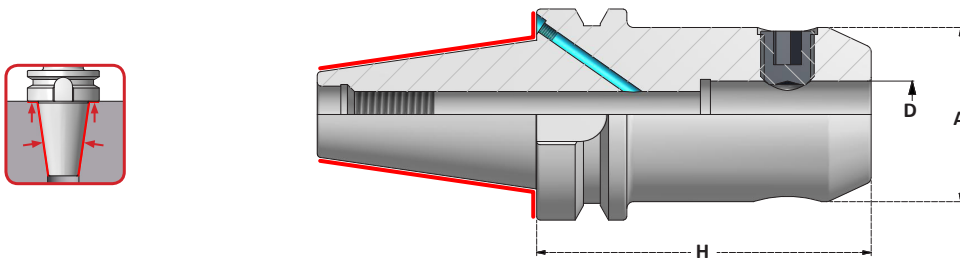
 Momento di serraggio consigliato
Recommended tightening torque

M8	25Nm
M10	40Nm
M12	60Nm
M16	80Nm

ACCESSORI - ACCESSORIES


MANDRINI A DOPPIO CONTATTO PORTAFRESE WELDON

DOUBLE CONTACT END MILL HOLDERS WELDON



Articolo	D	H	A	Grano Screw
DBT30.H50.WE6	6	50	25	GR.WE6
DBT30.H50.WE8	8	50	28	GR.WE8
DBT30.H50.WE10	10	50	35	GR.WE10
DBT30.H50.WE12	12	50	42	GR.WE12-14
DBT30.H63.WE16	16	63	48	GR.WE16-18
DBT30.H63.WE20	20	63	52	GR.WE20
DBT30.H90.WE25	25	90	65	GR.WE25

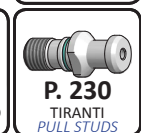


Articolo	D	H	A	Grano Screw
DBTB40.H50.WE6	6	50	25	GR.WE6
DBTB40.H50.WE8	8	50	28	GR.WE8
DBTB40.H63.WE10	10	63	35	GR.WE10
DBTB40.H63.WE12	12	63	42	GR.WE12-14
DBTB40.H63.WE16	16	63	48	GR.WE16-18
DBTB40.H63.WE18	18	63	50	GR.WE16-18
DBTB40.H63.WE20	20	63	52	GR.WE20
DBTB40.H100.WE25	25	100	65	GR.WE25
DBTB40.H100.WE32	32	100	72	GR.WE32-40

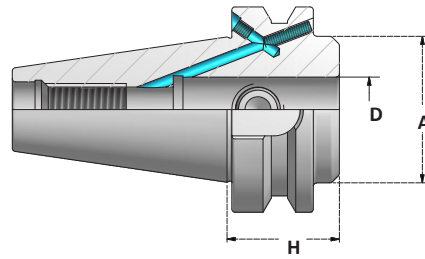


Articolo	D	H	A	Grano Screw
DBTB50.H63.WE6	6	63	25	GR.WE6
DBTB50.H63.WE8	8	63	28	GR.WE8
DBTB50.H63.WE10	10	63	35	GR.WE10
DBTB50.H80.WE12	12	80	42	GR.WE12-14
DBTB50.H80.WE16	16	80	48	GR.WE16-18
DBTB50.H80.WE20	20	80	52	GR.WE20
DBTB50.H100.WE25	25	100	65	GR.WE25
DBTB50.H105.WE32	32	105	72	GR.WE32-40
DBTB50.H120.WE40	40	120	80	GR.WE32-40
DBTB50.H125.WE50	50	125	100	GR.WE50

ACCESSORI - ACCESSORIES



MANDRINI PORTAFRESA WELDON - EXTRACORTI
END MILL HOLDERS WELDON - STUB LENGTH



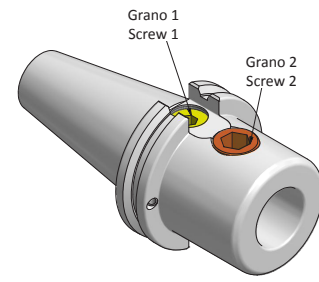
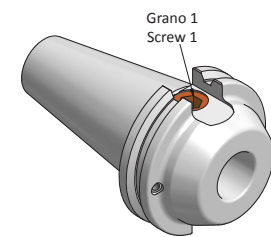
Articolo	D	H	A	Grano 1 Screw 1	Grano 2 Screw 2
BT30.H32.WE6	6	32	25	GR.WE6	/
BT30.H32.WE8	8	32	28	GR.WE8	/
BT30.H32.WE10	10	32	35	GR.WE10	/
BT30.H32.WE12	12	32	42	GR.WE12-14	/
BT30.H32.WE14	14	32	44	GR.WE12-14	/
BT30.H35.WE16	16	35	44	GR.WEC16	/
BT30.H35.WE18	18	35	44	GR.WEC25-32	/
BT30.H35.WE20	20	35	44	GR.WEC20	/



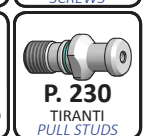
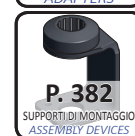
Articolo	D	H	A	Grano 1 Screw 1	Grano 2 Screw 2
BTB40.H35.WE16	16	35	44	GR.WEC16	/
BTB40.H35.WE20	20	35	44	GR.WEC20	/
BTB40.H35.WE25	25	35	44	GR.WEC20	/
BTB40.H60.WE25	25	60	50	GR.WEC25-32	GR.WEC25
BTB40.H40.WE32	32	40	50	GR.WEC25-32	/
BTB40.H70.WE32	32	70	50	GR.WEC25-32	GR.WE32-40



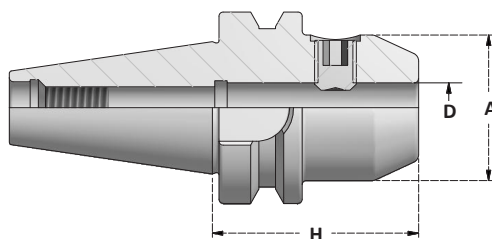
Articolo	D	H	A	Grano 1 Screw 1	Grano 2 Screw 2
BTB50.H44.WE16	16	44	48	GR.WE16-18	/
BTB50.H44.WE20	20	44	52	GR.WE20	/
BTB50.H44.WE25	25	44	65	GR.WE25	/
BTB50.H44.WE32	32	44	72	GR.WE32-40	/
BTB50.H44.WE40	40	44	80	GR.WEC32-40	/



ACCESSORI - ACCESSORIES

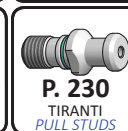


MANDRINI PORTAFRESA WELDON
END MILL HOLDERS WELDON



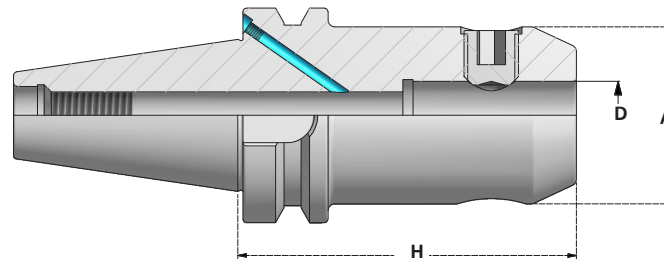
Articolo	D	H	A	Grano Screw
BT30.H50.WE6	6	50	25	GR.WE6
BT30.H100.WE6	6	100	25	GR.WE6
BT30.H50.WE8	8	50	28	GR.WE8
BT30.H100.WE8	8	100	28	GR.WE8
BT30.H50.WE10	10	50	35	GR.WE10
BT30.H100.WE10	10	100	35	GR.WE10
BT30.H50.WE12	12	50	42	GR.WE12-14
BT30.H100.WE12	12	100	42	GR.WE12-14
BT30.H50.WE14	14	50	44	GR.WE12-14
BT30.H100.WE14	14	100	44	GR.WE12-14
BT30.H63.WE16	16	63	48	M16x10
BT30.H100.WE16	16	100	48	GR.WE16-18
BT30.H63.WE18	18	63	50	GR.WE16-18
BT30.H100.WE18	18	100	50	GR.WE16-18
BT30.H63.WE20	20	63	52	GR.WE20
BT30.H100.WE20	20	100	52	GR.WE20

ACCESSORI - ACCESSORIES

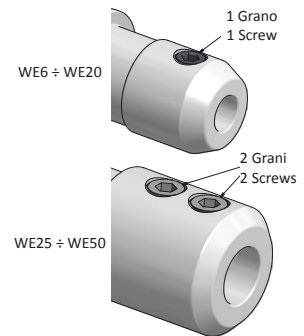


MANDRINI PORTAFRESA WELDON

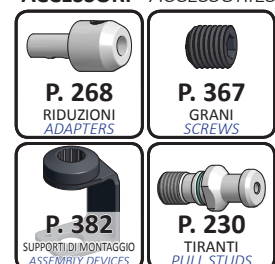
END MILL HOLDERS WELDON



Articolo	D	H	A	Grano Screw
BTB40.H50.WE6	6	50	25	GR.WE6
BTB40.H100.WE6	6	100	25	GR.WE6
BTB40.H130.WE6	6	130	25	GR.WE6
BTB40.H160.WE6	6	160	25	GR.WE6
BTB40.H200.WE6	6	200	25	GR.WE6
BTB40.H50.WE8	8	50	28	GR.WE8
BTB40.H100.WE8	8	100	28	GR.WE8
BTB40.H130.WE8	8	130	28	GR.WE8
BTB40.H160.WE8	8	160	28	GR.WE8
BTB40.H200.WE8	8	200	28	GR.WE8
BTB40.H63.WE10	10	63	35	GR.WE10
BTB40.H100.WE10	10	100	35	GR.WE10
BTB40.H130.WE10	10	130	35	GR.WE10
BTB40.H160.WE10	10	160	35	GR.WE10
BTB40.H200.WE10	10	200	35	GR.WE10
BTB40.H63.WE12	12	63	42	GR.WE12-14
BTB40.H100.WE12	12	100	42	GR.WE12-14
BTB40.H130.WE12	12	130	42	GR.WE12-14
BTB40.H160.WE12	12	160	42	GR.WE12-14
BTB40.H200.WE12	12	200	42	GR.WE12-14
BTB40.H63.WE14	14	63	44	GR.WE12-14
BTB40.H100.WE14	14	100	44	GR.WE12-14
BTB40.H130.WE14	14	130	44	GR.WE12-14
BTB40.H160.WE14	14	160	44	GR.WE12-14
BTB40.H200.WE14	14	200	44	GR.WE12-14
BTB40.H63.WE16	16	63	48	GR.WE16-18
BTB40.H100.WE16	16	100	48	GR.WE16-18
BTB40.H130.WE16	16	130	48	GR.WE16-18
BTB40.H160.WE16	16	160	48	GR.WE16-18
BTB40.H200.WE16	16	200	48	GR.WE16-18
BTB40.H63.WE18	18	63	50	GR.WE16-18
BTB40.H100.WE18	18	100	50	GR.WE16-18
BTB40.H130.WE18	18	130	50	GR.WE16-18
BTB40.H160.WE18	18	160	50	GR.WE16-18
BTB40.H200.WE18	18	200	50	GR.WE16-18
BTB40.H63.WE20	20	63	52	GR.WE20
BTB40.H100.WE20	20	100	52	GR.WE20
BTB40.H130.WE20	20	130	52	GR.WE20
BTB40.H160.WE20	20	160	52	GR.WE20
BTB40.H200.WE20	20	200	52	GR.WE20

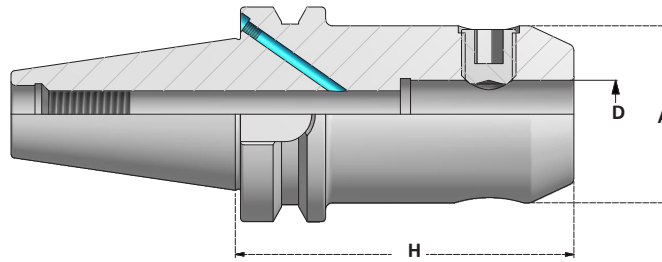


ACCESSORI - ACCESSORIES

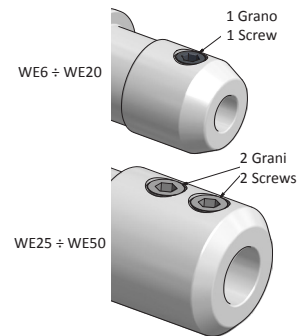


MANDRINI PORTAFRESA WELDON

END MILL HOLDERS WELDON

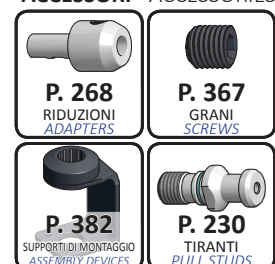


Articolo	D	H	A	Grano Screw
BTB40.H90.WE25	25	90	65	GR.WE25
BTB40.H130.WE25	25	130	65	GR.WE25
BTB40.H160.WE25	25	160	65	GR.WE25
BTB40.H200.WE25	25	200	65	GR.WE25
BTB40.H100.WE32	32	100	72	GR.WE32-40
BTB40.H130.WE32	32	130	72	GR.WE32-40
BTB40.H160.WE32	32	160	72	GR.WE32-40
BTB40.H200.WE32	32	200	72	GR.WE32-40
BTB40.H120.WE40	40	120	80	GR.WE32-40



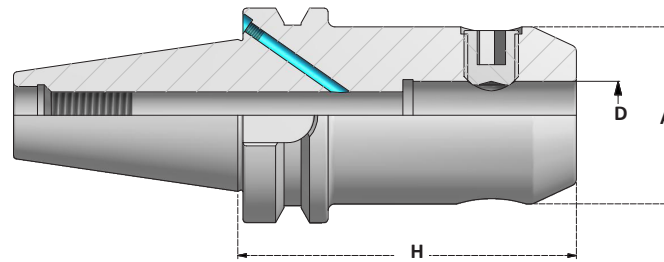
Articolo	D	H	A	Grano Screw
BTB50.H63.WE6	6	63	25	GR.WE6
BTB50.H100.WE6	6	100	25	GR.WE6
BTB50.H130.WE6	6	130	25	GR.WE6
BTB50.H160.WE6	6	160	25	GR.WE6
BTB50.H200.WE6	6	200	25	GR.WE6
BTB50.H63.WE8	8	63	28	GR.WE8
BTB50.H100.WE8	8	100	28	GR.WE8
BTB50.H130.WE8	8	130	28	GR.WE8
BTB50.H160.WE8	8	160	28	GR.WE8
BTB50.H200.WE8	8	200	28	GR.WE8
BTB50.H63.WE10	10	63	35	GR.WE10
BTB50.H100.WE10	10	100	35	GR.WE10
BTB50.H130.WE10	10	130	35	GR.WE10
BTB50.H160.WE10	10	160	35	GR.WE10
BTB50.H200.WE10	10	200	35	GR.WE10
BTB50.H80.WE12	12	80	42	GR.WE12-14
BTB50.H100.WE12	12	100	42	GR.WE12-14
BTB50.H130.WE12	12	130	42	GR.WE12-14
BTB50.H160.WE12	12	160	42	GR.WE12-14
BTB50.H200.WE12	12	200	42	GR.WE12-14
BTB50.H80.WE14	14	80	44	GR.WE12-14
BTB50.H100.WE14	14	100	44	GR.WE12-14
BTB50.H130.WE14	14	130	44	GR.WE12-14
BTB50.H160.WE14	14	160	44	GR.WE12-14
BTB50.H200.WE14	14	200	44	GR.WE12-14

ACCESSORI - ACCESSORIES

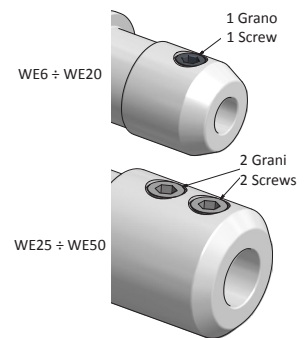


MANDRINI PORTAFRESA WELDON

END MILL HOLDERS WELDON



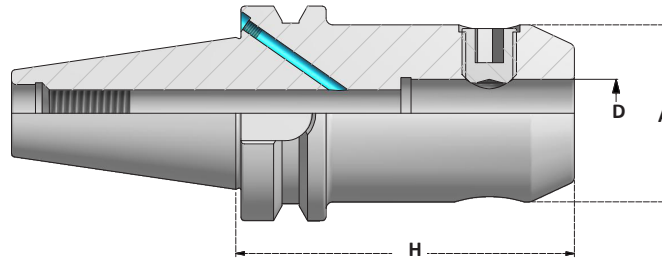
Articolo	D	H	A	Grano Screw
BTB50.H80.WE16	16	63	48	GR.WE16-18
BTB50.H100.WE16	16	100	48	GR.WE16-18
BTB50.H130.WE16	16	130	48	GR.WE16-18
BTB50.H160.WE16	16	160	48	GR.WE16-18
BTB50.H200.WE16	16	200	48	GR.WE16-18
BTB50.H80.WE18	18	63	50	GR.WE16-18
BTB50.H100.WE18	18	100	50	GR.WE16-18
BTB50.H130.WE18	18	130	50	GR.WE16-18
BTB50.H160.WE18	18	160	50	GR.WE16-18
BTB50.H200.WE18	18	200	50	GR.WE16-18
BTB50.H80.WE20	20	63	52	GR.WE20
BTB50.H100.WE20	20	100	52	GR.WE20
BTB50.H130.WE20	20	130	52	GR.WE20
BTB50.H160.WE20	20	160	52	GR.WE20
BTB50.H200.WE20	20	200	52	GR.WE20
BTB50.H250.WE20	20	250	52	GR.WE20
BTB50.H100.WE25	25	100	65	GR.WE25
BTB50.H130.WE25	25	130	65	GR.WE25
BTB50.H160.WE25	25	160	65	GR.WE25
BTB50.H200.WE25	25	200	65	GR.WE25
BTB50.H250.WE25	25	250	65	GR.WE25
BTB50.H105.WE32	32	105	72	GR.WE32-40
BTB50.H130.WE32	32	130	72	GR.WE32-40
BTB50.H160.WE32	32	160	72	GR.WE32-40
BTB50.H200.WE32	32	200	72	GR.WE32-40
BTB50.H250.WE32	32	250	72	GR.WE32-40
BTB50.H120.WE40	40	120	80	GR.WE32-40
BTB50.H160.WE40	40	160	80	GR.WE32-40
BTB50.H200.WE40	40	200	80	GR.WE32-40
BTB50.H125.WE50	50	125	100	GR.WE50



ACCESSORI - ACCESSORIES

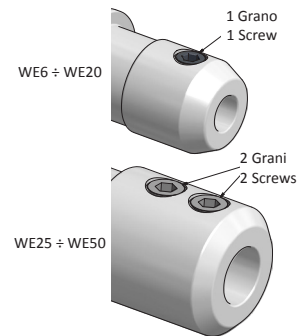


MANDRINI PORTAFRESA WELDON PER ALTE VELOCITA'
END MILL HOLDERS WELDON FOR HIGH SPEEDS

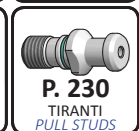


Articolo	D	H	A	Grano Screw
BTB40.H50.WE6E	6	50	25	GR.WE6
BTB40.H50.WE8E	8	50	28	GR.WE8
BTB40.H63.WE10E	10	63	35	GR.WE10
BTB40.H63.WE12E	12	63	42	GR.WE12-14
BTB40.H63.WE14E	14	63	44	GR.WE12-14
BTB40.H63.WE16E	16	63	48	GR.WE16-18
BTB40.H63.WE18E	18	63	50	GR.WE16-18
BTB40.H63.WE20E	20	63	52	GR.WE20
BTB40.H90.WE25E	25	90	65	GR.WE25
BTB40.H100.WE32E	32	100	72	GR.WE32-40

ALTRI A RICHIESTA
OTHERS ON REQUEST

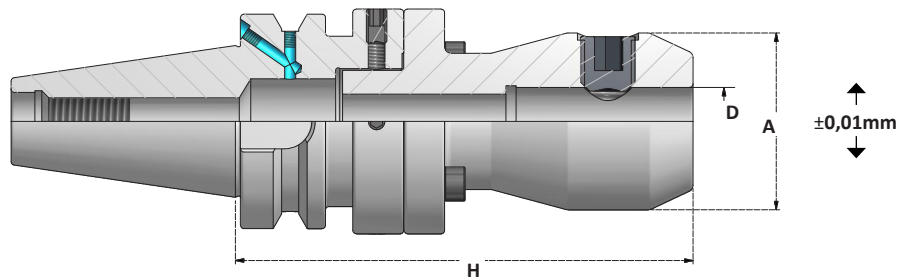


ACCESSORI - ACCESSORIES



MANDRINI PORTAFRESA WELDON A CENTRATURA REGOLABILE

RUNOUT ADJUSTABLE END MILL HOLDERS WELDON

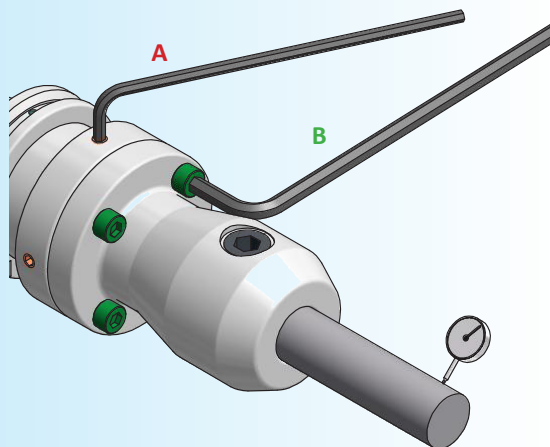


Articolo	D	H	A	Grano Screw
BTB40.H100.WE6RG	6	100	25	GR.WE6
BTB40.H100.WE8RG	8	100	28	GR.WE8
BTB40.H100.WE10RG	10	100	35	GR.WE10
BTB40.H110.WE12RG	12	110	42	GR.WE12-14
BTB40.H110.WE14RG	14	110	44	GR.WE12-14
BTB40.H130.WE16RG	16	130	48	GR.WE16-18
BTB40.H130.WE18RG	18	130	50	GR.WE16-18
BTB40.H135.WE20RG	20	135	52	GR.WE20

Centratura regolabile 0,01mm
Adjustable runout 0,01mm



Articolo	D	H	A	Grano Screw
BTB50.H110.WE6RG	6	110	25	GR.WE6
BTB50.H110.WE8RG	8	110	28	GR.WE8
BTB50.H110.WE10RG	10	110	35	GR.WE10
BTB50.H120.WE12RG	12	120	42	GR.WE12-14
BTB50.H120.WE14RG	14	120	44	GR.WE12-14
BTB50.H140.WE16RG	16	140	48	GR.WE16-18
BTB50.H140.WE18RG	18	140	50	GR.WE16-18
BTB50.H145.WE20RG	20	145	52	GR.WE20



Allentare le viti **B** e regolare la centratura tramite le viti **A**.
Loosen screws **B** and use screws **A** for radial adjustment.

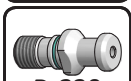
ACCESSORI - ACCESSORIES



P. 367
GRANI
SCREWS



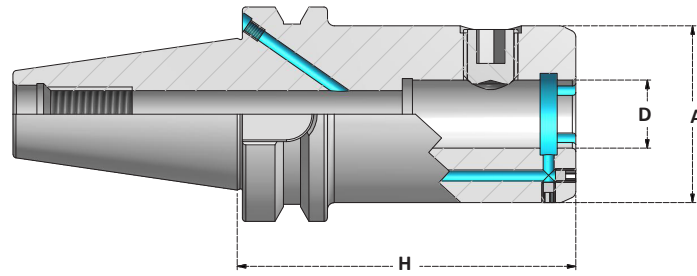
P. 382
SUPPORTI DI MONTAGGIO
ASSEMBLY DEVICES



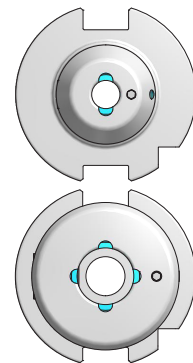
P. 230
TIRANTI
PULL STUDS

MANDRINI PORTAFRESA WELDON CON CANALI DI LUBRIFICAZIONE

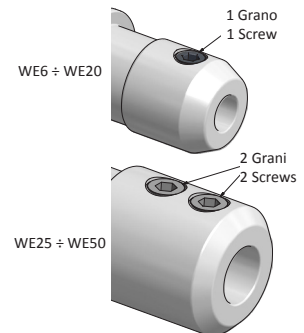
END MILL HOLDERS WELDON WITH COOLANT CHANNELS



Articolo	D	H	A	Grano Screw
BTB40.H65.WE6C	6	65	25	GR.WE6
BTB40.H65.WE8C	8	65	28	GR.WE8
BTB40.H65.WE10C	10	65	35	GR.WE10
BTB40.H65.WE12C	12	65	42	GR.WE12-14
BTB40.H65.WE14C	14	65	44	GR.WE12-14
BTB40.H65.WE16C	16	65	48	GR.WE16-18
BTB40.H65.WE18C	18	65	50	GR.WE16-18
BTB40.H65.WE20C	20	65	52	GR.WE20
BTB40.H100.WE25C	25	100	65	GR.WE25
BTB40.H100.WE32C	32	100	72	GR.WE32-40



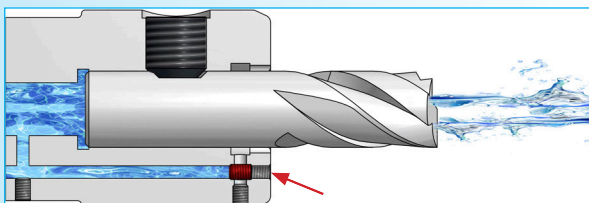
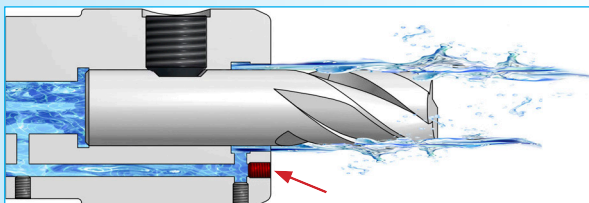
Articolo	D	H	A	Grano Screw
BTB50.H80.WE6C	6	80	25	GR.WE6
BTB50.H80.WE8C	8	80	28	GR.WE8
BTB50.H80.WE10C	10	80	35	GR.WE10
BTB50.H80.WE12C	12	80	42	GR.WE12-14
BTB50.H80.WE14C	14	80	44	GR.WE12-14
BTB50.H80.WE16C	16	80	48	GR.WE16-18
BTB50.H80.WE18C	18	80	50	GR.WE16-18
BTB50.H80.WE20C	20	80	52	GR.WE20
BTB50.H100.WE25C	25	100	65	GR.WE25
BTB50.H105.WE32C	32	105	72	GR.WE32-40
BTB50.H120.WE40C	40	120	90	GR.WE32-40



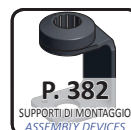
Regolando il grano si può scegliere se indirizzare il liquido refrigerante ai fori del mandrino o attraverso l'utensile.

Lock screw for coolant through tool.

Unlock screw for coolant through toolholder.

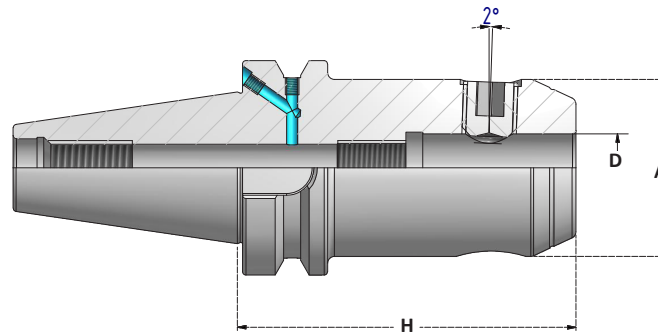


ACCESSORI - ACCESSORIES



MANDRINI PORTAFRESA WHISTLE NOTCH

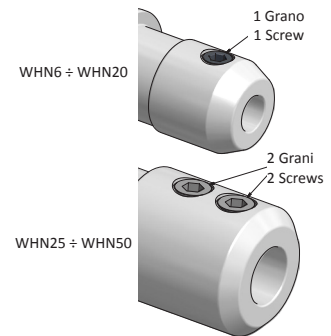
END MILL HOLDERS WHISTLE NOTCH



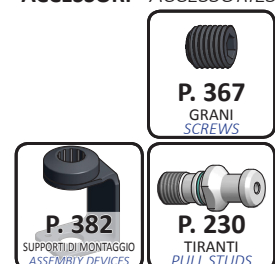
Articolo	D	H	A	Grano Screw
BTB40.H50.WHN6	6	50	25	GR.WE6
BTB40.H50.WHN8	8	50	28	GR.WE8
BTB40.H63.WHN10	10	63	35	GR.WE10
BTB40.H63.WHN12	12	63	42	GR.WE12-14
BTB40.H63.WHN14	14	63	44	GR.WE12-14
BTB40.H63.WHN16	16	63	48	GR.WE16-18
BTB40.H63.WHN18	18	63	50	GR.WE16-18
BTB40.H63.WHN20	20	63	52	GR.WE20
BTB40.H90.WHN25	25	90	65	GR.WE25
BTB40.H100.WHN32	32	100	72	GR.WE32-40



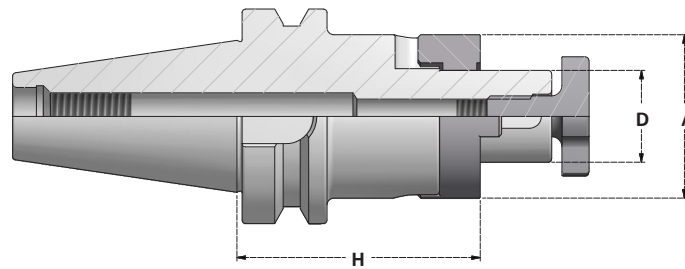
Articolo	D	H	A	Grano Screw
BTB50.H63.WHN6	6	63	25	GR.WE6
BTB50.H63.WHN8	8	63	28	GR.WE8
BTB50.H63.WHN10	10	63	35	GR.WE10
BTB50.H80.WHN12	12	80	42	GR.WE12-14
BTB50.H80.WHN14	14	80	44	GR.WE12-14
BTB50.H80.WHN16	16	80	48	GR.WE16-18
BTB50.H80.WHN18	18	80	50	GR.WE16-18
BTB50.H80.WHN20	20	80	52	GR.WE20
BTB50.H100.WHN25	25	100	65	GR.WE25
BTB50.H105.WHN32	32	105	72	GR.WE32-40
BTB50.H120.WHN40	40	120	80	GR.WE32-40



ACCESSORI - ACCESSORIES



MANDRINI PORTAFRESA COMBINATI
COMBI SHELL MILL HOLDERS



Articolo	D	H	A	ATR	VTC	CHV
BT30.H43.D16C	16	43	32	ATR.D16	VTC.D16	CHV.D16
BT30.H50.D22C	22	50	40	ATR.D22	VTC.D22	CHV.D22
BT30.H50.D27C	27	50	48	ATR.D27	VTC.D27	CHV.D27
BT30.H60.D32C	32	60	58	ATR.D32	VTC.D32	CHV.D32



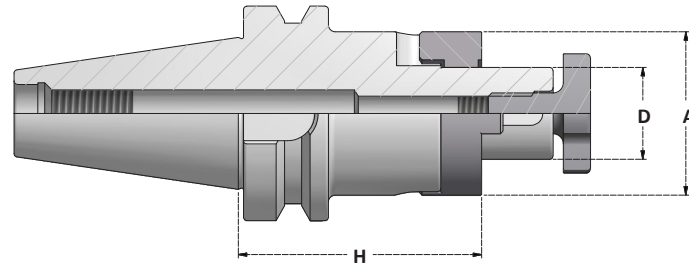
Articolo	D	H	A	ATR	VTC	CHV
BT40.H55.D16C	16	55	32	ATR.D16	VTC.D16	CHV.D16
BT40.H100.D16C	16	100	32	ATR.D16	VTC.D16	CHV.D16
BT40.H130.D16C	16	130	32	ATR.D16	VTC.D16	CHV.D16
BT40.H160.D16C	16	160	32	ATR.D16	VTC.D16	CHV.D16
BT40.H200.D16C	16	200	32	ATR.D16	VTC.D16	CHV.D16
BT40.H55.D22C	22	55	40	ATR.D22	VTC.D22	CHV.D22
BT40.H100.D22C	22	100	40	ATR.D22	VTC.D22	CHV.D22
BT40.H130.D22C	22	130	40	ATR.D22	VTC.D22	CHV.D22
BT40.H160.D22C	22	160	40	ATR.D22	VTC.D22	CHV.D22
BT40.H200.D22C	22	200	40	ATR.D22	VTC.D22	CHV.D22
BT40.H55.D27C	27	55	48	ATR.D27	VTC.D27	CHV.D27
BT40.H100.D27C	27	100	48	ATR.D27	VTC.D27	CHV.D27
BT40.H130.D27C	27	130	48	ATR.D27	VTC.D27	CHV.D27
BT40.H160.D27C	27	160	48	ATR.D27	VTC.D27	CHV.D27
BT40.H200.D27C	27	200	48	ATR.D27	VTC.D27	CHV.D27
BT40.H60.D32C	32	60	58	ATR.D32	VTC.D32	CHV.D32
BT40.H100.D32C	32	100	58	ATR.D32	VTC.D32	CHV.D32
BT40.H130.D32C	32	130	58	ATR.D32	VTC.D32	CHV.D32
BT40.H160.D32C	32	160	58	ATR.D32	VTC.D32	CHV.D32
BT40.H200.D32C	32	200	58	ATR.D32	VTC.D32	CHV.D32
BT40.H60.D40C	40	60	70	ATR.D40	VTC.D40	CHV.D40
BT40.H100.D40C	40	100	70	ATR.D40	VTC.D40	CHV.D40
BT40.H130.D40C	40	130	70	ATR.D40	VTC.D40	CHV.D40
BT40.H160.D40C	40	160	70	ATR.D40	VTC.D40	CHV.D40
BT40.H200.D40C	40	200	70	ATR.D40	VTC.D40	CHV.D40

ACCESSORI - ACCESSORIES



MANDRINI PORTAFRESA COMBINATI

COMBI SHELL MILL HOLDERS



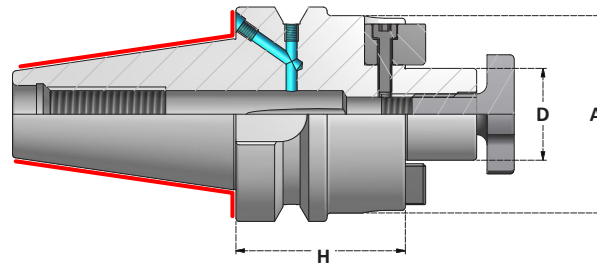
Articolo	D	H	A	ATR	VTC	CHV
BT50.H70.D16C	16	70	32	ATR.D16	VTC.D16	CHV.D16
BT50.H100.D16C	16	100	32	ATR.D16	VTC.D16	CHV.D16
BT50.H130.D16C	16	130	32	ATR.D16	VTC.D16	CHV.D16
BT50.H160.D16C	16	160	32	ATR.D16	VTC.D16	CHV.D16
BT50.H70.D22C	22	70	40	ATR.D22	VTC.D22	CHV.D22
BT50.H100.D22C	22	100	40	ATR.D22	VTC.D22	CHV.D22
BT50.H130.D22C	22	130	40	ATR.D22	VTC.D22	CHV.D22
BT50.H160.D22C	22	160	40	ATR.D22	VTC.D22	CHV.D22
BT50.H70.D27C	27	70	48	ATR.D27	VTC.D27	CHV.D27
BT50.H100.D27C	27	100	48	ATR.D27	VTC.D27	CHV.D27
BT50.H130.D27C	27	130	48	ATR.D27	VTC.D27	CHV.D27
BT50.H160.D27C	27	160	48	ATR.D27	VTC.D27	CHV.D27
BT50.H70.D32C	32	70	58	ATR.D32	VTC.D32	CHV.D32
BT50.H100.D32C	32	100	58	ATR.D32	VTC.D32	CHV.D32
BT50.H130.D32C	32	130	58	ATR.D32	VTC.D32	CHV.D32
BT50.H160.D32C	32	160	58	ATR.D32	VTC.D32	CHV.D32
BT50.H70.D40C	40	70	70	ATR.D40	VTC.D40	CHV.D40
BT50.H100.D40C	40	100	70	ATR.D40	VTC.D40	CHV.D40
BT50.H130.D40C	40	130	70	ATR.D40	VTC.D40	CHV.D40
BT50.H160.D40C	40	160	70	ATR.D40	VTC.D40	CHV.D40

ACCESSORI - ACCESSORIES



MANDRINI A DOPPIO CONTATTO PORTAFRESA FISSI

DOUBLE CONTACT SHELL MILL HOLDERS

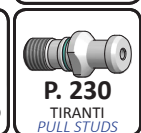


	Articolo	D	H	A	TTR	VTC
	DBT30.H45.D16S	16	45	38	TTR.D16	VTC.D16
	DBT30.H45.D22S	22	45	48	TTR.D22	VTC.D22
	DBT30.H45.D27S	27	45	58	TTR.D27	VTC.D27
	DBT30.H45.D32S	32	45	78	TTR.D32	VTC.D32

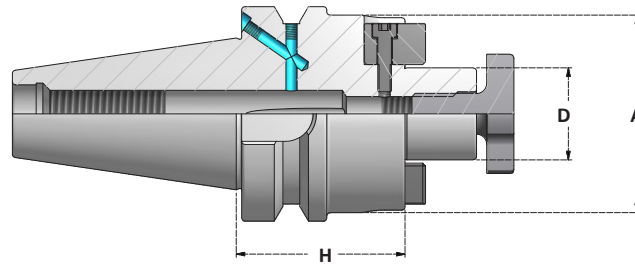
	Articolo	D	H	A	TTR	VTC
	DBTB40.H45.D16S	16	45	38	TTR.D16	VTC.D16
	DBTB40.H60.D16S	16	60	38	TTR.D16	VTC.D16
	DBTB40.H45.D22S	22	45	48	TTR.D22	VTC.D22
	DBTB40.H60.D22S	22	60	48	TTR.D22	VTC.D22
	DBTB40.H45.D27S	27	45	58	TTR.D27	VTC.D27
	DBTB40.H60.D27S	27	60	58	TTR.D27	VTC.D27
	DBTB40.H60.D32S	32	60	78	TTR.D32	VTC.D32
	DBTB40.H60.D40S	40	60	88	TTR.D40	VTC.D40


	Articolo	D	H	A	TTR	VTC
	DBTB50.H45.D16S	16	45	38	TTR.D16	VTC.D16
	DBTB50.H45.D22S	22	45	48	TTR.D22	VTC.D22
	DBTB50.H50.D27S	27	50	58	TTR.D27	VTC.D27
	DBTB50.H50.D32S	32	50	78	TTR.D32	VTC.D32
	DBTB50.H50.D40S	40	50	88	TTR.D40	VTC.D40


ACCESSORI - ACCESSORIES

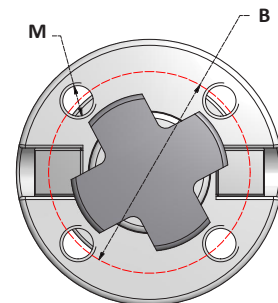


MANDRINI PORTAFRESA FISSI
SHELL MILL HOLDERS




G6,3 15000 _{rpm} AD	Articolo	D	H	A	TTR	VTC
		BT30.H43.D16S	16	43	38	TTR.D16
	BT30.H43.D22S	22	43	48	TTR.D22	VTC.D22
	BT30.H50.D27S	27	50	58	TTR.D27	VTC.D27
	BT30.H50.D32S	32	50	78	TTR.D32	VTC.D32

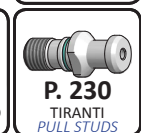
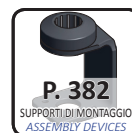
G6,3 15000 _{rpm} AD+B	Articolo	D	H	A	TTR	VTC
		BTB40.H45.D16S	16	45	38	TTR.D16
	BTB40.H100.D16S	16	100	38	TTR.D16	VTC.D16
	BTB40.H130.D16S	16	130	38	TTR.D16	VTC.D16
	BTB40.H160.D16S	16	160	38	TTR.D16	VTC.D16
	BTB40.H200.D16S	16	200	38	TTR.D16	VTC.D16
	BTB40.H45.D22S	22	45	48	TTR.D22	VTC.D22
	BTB40.H100.D22S	22	100	48	TTR.D22	VTC.D22
	BTB40.H130.D22S	22	130	48	TTR.D22	VTC.D22
	BTB40.H160.D22S	22	160	48	TTR.D22	VTC.D22
	BTB40.H200.D22S	22	200	48	TTR.D22	VTC.D22
	BTB40.H45.D27S	27	45	58	TTR.D27	VTC.D27
	BTB40.H100.D27S	27	100	58	TTR.D27	VTC.D27
	BTB40.H130.D27S	27	130	58	TTR.D27	VTC.D27
	BTB40.H160.D27S	27	160	58	TTR.D27	VTC.D27
	BTB40.H200.D27S	27	200	58	TTR.D27	VTC.D27
	BTB40.H56.D32S	32	56	78	TTR.D32	VTC.D32
	BTB40.H100.D32S	32	100	78	TTR.D32	VTC.D32
	BTB40.H130.D32S	32	130	78	TTR.D32	VTC.D32
	BTB40.H160.D32S	32	160	78	TTR.D32	VTC.D32
	BTB40.H200.D32S	32	200	78	TTR.D32	VTC.D32
	BTB40.H60.D40S	40	60	88	TTR.D40	VTC.D40
	BTB40.H100.D40S	40	100	88	TTR.D40	VTC.D40
	BTB40.H130.D40S	40	130	88	TTR.D40	VTC.D40
	BTB40.H160.D40S	40	160	88	TTR.D40	VTC.D40
	BTB40.H200.D40S	40	200	88	TTR.D40	VTC.D40



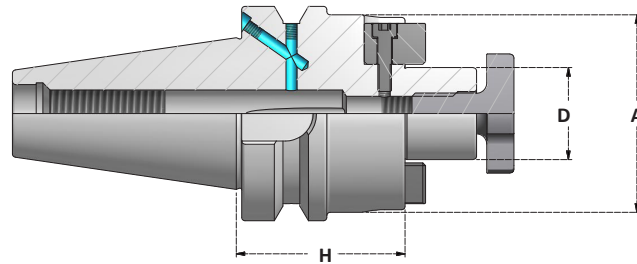
MANDRINI PER FRESE A SPIANARE CON 4 FORI
FACE MILL HOLDERS WITH 4 HOLES

G6,3 15000 _{rpm} AD+B	Articolo	D	H	A	B	M	TTR	VTC
		BTB40.H60.D40FM	40	60	88	66,7	M12	TTR.D40

ACCESSORI - ACCESSORIES

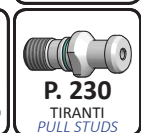
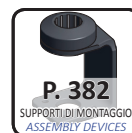


MANDRINI PORTAFRESA FISSI
SHELL MILL HOLDERS

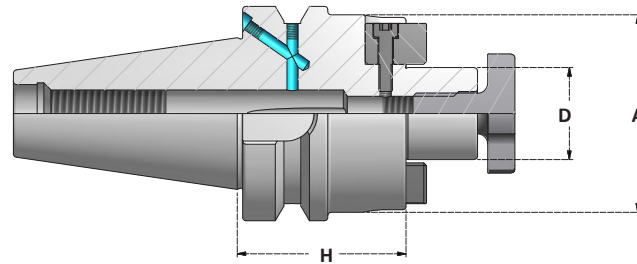


Articolo	D	H	A	TTR	VTC
BTB50.H50.D16S	16	50	38	TTR.D16	VTC.D16
BTB50.H75.D16S	16	75	38	TTR.D16	VTC.D16
BTB50.H100.D16S	16	100	38	TTR.D16	VTC.D16
BTB50.H130.D16S	16	130	38	TTR.D16	VTC.D16
BTB50.H160.D16S	16	160	38	TTR.D16	VTC.D16
BTB50.H200.D16S	16	200	38	TTR.D16	VTC.D16
BTB50.H250.D16S	16	250	38	TTR.D16	VTC.D16
BTB50.H300.D16S	16	300	38	TTR.D16	VTC.D16
BTB50.H350.D16S	16	350	38	TTR.D16	VTC.D16
BTB50.H55.D22S	22	55	48	TTR.D22	VTC.D22
BTB50.H75.D22S	22	75	48	TTR.D22	VTC.D22
BTB50.H100.D22S	22	100	48	TTR.D22	VTC.D22
BTB50.H130.D22S	22	130	48	TTR.D22	VTC.D22
BTB50.H160.D22S	22	160	48	TTR.D22	VTC.D22
BTB50.H200.D22S	22	200	48	TTR.D22	VTC.D22
BTB50.H250.D22S	22	250	48	TTR.D22	VTC.D22
BTB50.H300.D22S	22	300	48	TTR.D22	VTC.D22
BTB50.H350.D22S	22	350	48	TTR.D22	VTC.D22
BTB50.H55.D27S	27	55	58	TTR.D27	VTC.D27
BTB50.H75.D27S	27	75	58	TTR.D27	VTC.D27
BTB50.H100.D27S	27	100	58	TTR.D27	VTC.D27
BTB50.H130.D27S	27	130	58	TTR.D27	VTC.D27
BTB50.H160.D27S	27	160	58	TTR.D27	VTC.D27
BTB50.H200.D27S	27	200	58	TTR.D27	VTC.D27
BTB50.H250.D27S	27	250	58	TTR.D27	VTC.D27
BTB50.H300.D27S	27	300	58	TTR.D27	VTC.D27
BTB50.H350.D27S	27	350	58	TTR.D27	VTC.D27
BTB50.H55.D32S	32	55	78	TTR.D32	VTC.D32
BTB50.H75.D32S	32	75	78	TTR.D32	VTC.D32
BTB50.H100.D32S	32	100	78	TTR.D32	VTC.D32
BTB50.H130.D32S	32	130	78	TTR.D32	VTC.D32
BTB50.H160.D32S	32	160	78	TTR.D32	VTC.D32
BTB50.H200.D32S	32	200	78	TTR.D32	VTC.D32
BTB50.H250.D32S	32	250	78	TTR.D32	VTC.D32
BTB50.H300.D32S	32	300	78	TTR.D32	VTC.D32
BTB50.H350.D32S	32	350	78	TTR.D32	VTC.D32

ACCESSORI - ACCESSORIES



MANDRINI PORTAFRESA FISSI
SHELL MILL HOLDERS

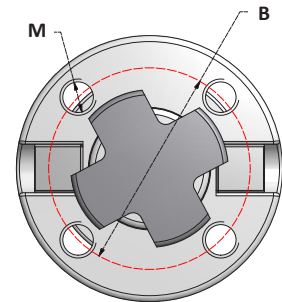


Articolo	D	H	A	TTR	VTC
BTB50.H55.D40S	40	55	88	TTR.D40	VTC.D40
BTB50.H75.D40S	40	75	88	TTR.D40	VTC.D40
BTB50.H100.D40S	40	100	88	TTR.D40	VTC.D40
BTB50.H130.D40S	40	130	88	TTR.D40	VTC.D40
BTB50.H160.D40S	40	160	88	TTR.D40	VTC.D40
BTB50.H200.D40S	40	200	88	TTR.D40	VTC.D40

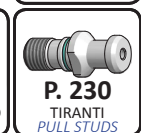


MANDRINI PER FRESE A SPIANARE CON 4 FORI
FACE MILL HOLDERS WITH 4 HOLES

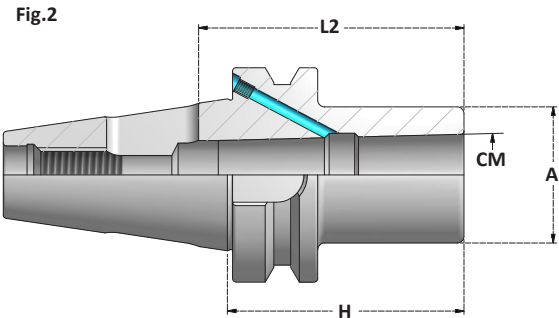
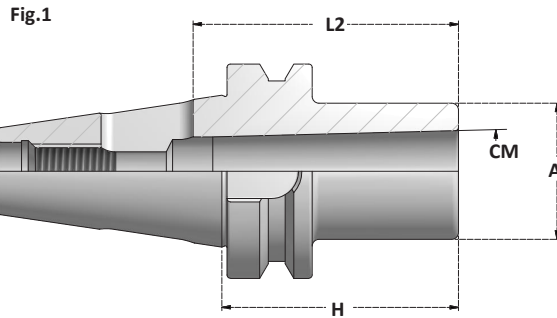
Articolo	D	H	A	B	M	TTR	VTC
BTB50.H55.D40FM	40	55	88	66,7	M12	TTR.D40	VTC.D40
BTB50.H80.D60FM	60	80	129	101,6	M16	TTR.D60	VTC.D60



ACCESSORI - ACCESSORIES



MANDRINI DI RIDUZIONE CONO MORSE PER PUNTE
MORSE TAPER ADAPTERS FOR DRILLS



Articolo	CM	H	A	L2	Fig
BT30.H50.CM1P	CM1	50	25	56	1
BT30.H60.CM2P	CM2	60	32	67	1
BT30.H79.CM3P	CM3	79	40	84	1



Articolo	CM	H	A	L2	Fig
BT40.H50.CM1P	CM1	50	25	56	1
BT40.H120.CM1P	CM1	120	25	56	3
BT40.H50.CM2P	CM2	50	32	67	1
BT40.H120.CM2P	CM2	120	32	67	3
BT40.H70.CM3P	CM3	70	40	84	1
BT40.H135.CM3P	CM3	135	40	84	3
BT40.H95.CM4P	CM4	95	48	107	1
BT40.H165.CM4P	CM4	165	48	107	3



Articolo	CM	H	A	L2	Fig
BT50.H45.CM1P	CM1	45	25	56	1
BT50.H120.CM1P	CM1	120	25	56	3
BT50.H60.CM2P	CM2	60	32	67	1
BT50.H135.CM2P	CM2	135	32	67	3
BT50.H65.CM3P	CM3	65	40	84	1
BT50.H155.CM3P	CM3	155	40	84	3
BT50.H95.CM4P	CM4	95	48	107	1
BT50.H180.CM4P	CM4	180	48	107	3
BT50.H105.CM5P	CM5	105	63	135	1
BT50.H215.CM5P	CM5	215	63	135	3

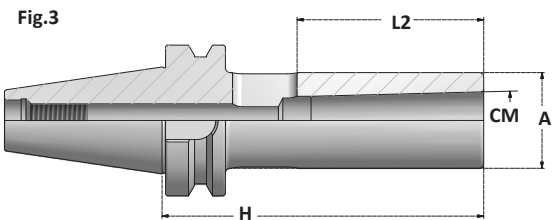


Articolo	CM	H	A	L2	Fig
BTB40.H50.CM2P	CM2	50	32	67	2
BTB40.H70.CM3P	CM3	70	40	84	2
BTB40.H95.CM4P	CM4	95	48	107	2

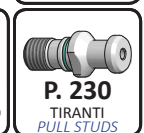


Articolo	CM	H	A	L2	Fig
BTB50.H60.CM2P	CM2	60	32	67	2
BTB50.H65.CM3P	CM3	65	40	84	2
BTB50.H95.CM4P	CM4	95	48	107	2
BTB50.H105.CM5P	CM5	105	63	135	2

**PER UTENSILI DIN228B
CON TENONE**
*FOR TOOLS DIN228B
WITH TANG*

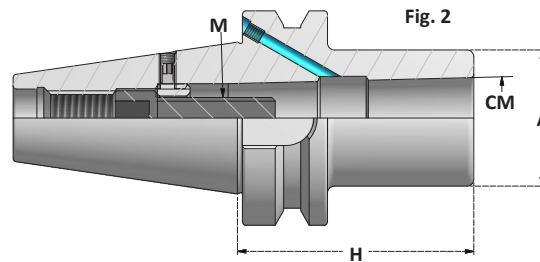
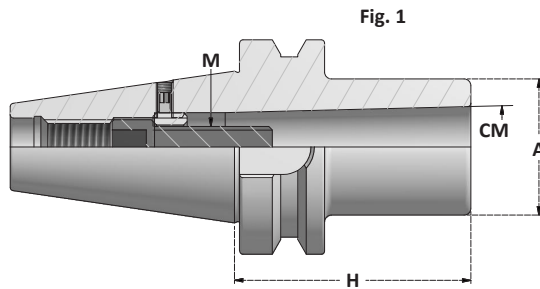


ACCESSORI - ACCESSORIES



MANDRINI DI RIDUZIONE CONO MORSE PER FRESE

MORSE TAPER ADAPTERS FOR THREADED MILLS



	Articolo	CM	H	A	M	Fig
	BT30.H50.CM1FV	CM1	50	25	M6	1
	BT30.H60.CM2FV	CM2	60	32	M10	1
	BT30.H80.CM3FV	CM3	80	40	M12	1

	Articolo	CM	H	A	M	Fig
	BT40.H50.CM1FV	CM1	50	25	M6	1
	BT40.H50.CM2FV	CM2	50	32	M10	1
	BT40.H70.CM3FV	CM3	70	40	M12	1
BT40.H95.CM4FV	CM4	95	48	M16	1	

	Articolo	CM	H	A	M	Fig
	BT50.H45.CM1FV	CM1	45	25	M6	1
	BT50.H60.CM2FV	CM2	60	32	M10	1
	BT50.H100.CM2FV	CM2	100	32	M10	1
	BT50.H65.CM3FV	CM3	65	40	M12	1
	BT50.H120.CM3FV	CM3	120	40	M12	1
	BT50.H95.CM4FV	CM4	95	48	M16	1
	BT50.H170.CM4FV	CM4	170	48	M16	1
BT50.H120.CM5FV	CM5	120	63	M20	1	

	Articolo	CM	H	A	M	Fig
	BTB40.H50.CM2FV	CM2	50	32	M10	2
	BTB40.H70.CM3FV	CM3	70	40	M12	2
BTB40.H95.CM4FV	CM4	95	48	M16	2	

	Articolo	CM	H	A	M	Fig
	BTB50.H60.CM2FV	CM2	60	32	M10	2
	BTB50.H65.CM3FV	CM3	65	40	M12	2
	BTB50.H95.CM4FV	CM4	95	48	M16	2
BTB50.H120.CM5FV	CM5	120	63	M20	2	

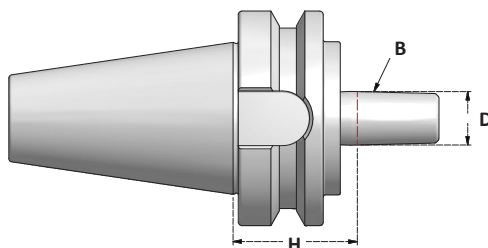
**PER UTENSILI DIN228A
CON FILETTO**
*FOR TOOLS DIN228A
WITH THREAD*

**FORNITI CON VITE SENZA FORO
PER IL PASSAGGIO DEL
REFRIGERANTE**
*SUPPLIED WITH SCREW WITHOUT
COOLANT THROUGH*

ACCESSORI - ACCESSORIES



ATTACCHI PER MANDRINI AUTOSERRANTI
DRILL CHUCKS ARBORS



Articolo	D	H	B
BT30.H30.B12	12,065	30	B12
BT30.H30.B16	15,733	30	B16



Articolo	D	H	B
BT40.H42.B12	12,065	42	B12
BT40.H42.B16	15,733	42	B16
BT40.H42.B18	17,78	42	B18

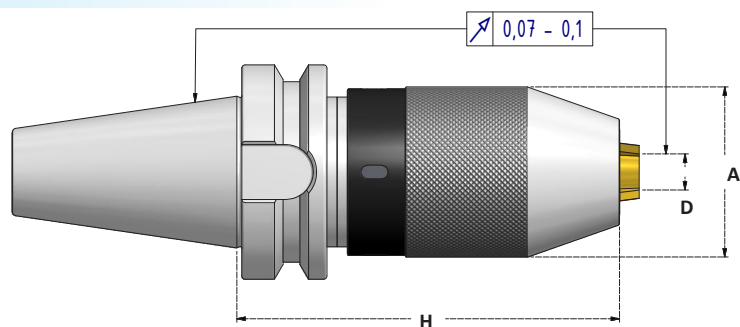


Articolo	D	H	B
BT50.H45.B16	15,733	45	B16
BT50.H45.B18	17,78	45	B18

ACCESSORI - ACCESSORIES



MANDRINI PORTAPUNTA AUTOSERRANTI - ROTAZIONE DESTRA
DRILL CHUCKS - RIGHT ROTATION



Articolo	D	H	A	Chiave Wrench
BT30.H75.DCK8S	0,5 - 8	75	37,5	CH.DC8
BT30.H90.DCK13S	1 - 13	90	50,5	CH.DC13

**GRIFFE RIVESTITE
IN TITANIO**

**TITANIUM
COATED JAWS**

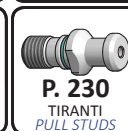


Articolo	D	H	A	Chiave Wrench
BT40.H84.DCK8S	0,5 - 8	84	37,5	CH.DC8
BT40.H98.DCK13S	1 - 13	98	50,5	CH.DC13
BT40.H105.DCK16S	2,5 - 16	105	57	CH.DC16

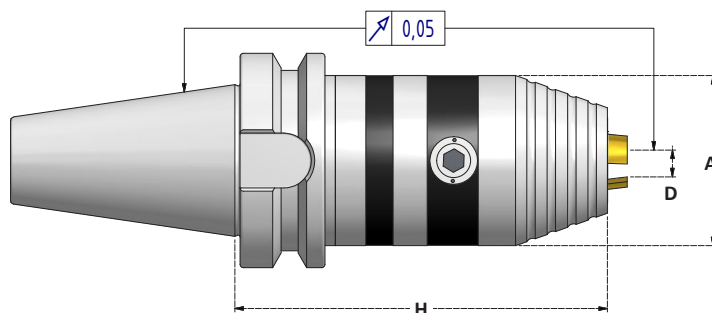


Articolo	D	H	A	Chiave Wrench
BT50.H105.DCK13S	1 - 13	105	50,5	CH.DC13
BT50.H110.DCK16S	2,5 - 16	110	57	CH.DC16

ACCESSORI - ACCESSORIES



MANDRINI PORTAPUNTA AUTOSERRANTI - ROTAZIONE DESTRA E SINISTRA
DRILL CHUCKS - RIGHT AND LEFT ROTATION



Articolo	D	H	A	Chiave Wrench
BT40.H89.CP8S	0,5 - 8	89	37,5	CH.CP8
BT40.H115.CP13S	1 - 13	115	50,5	CH.CP13-16
BT40.H120.CP16S	2,5 - 16	120	57	CH.CP13-16

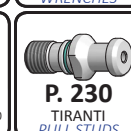
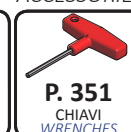


Articolo	D	H	A	Chiave Wrench
BT50.H120.CP13S	1 - 13	120	50,5	CH.CP13-16
BT50.H125.CP16S	2,5 - 16	125	57	CH.CP13-16

**GRIFFE RIVESTITE
IN TITANIO**

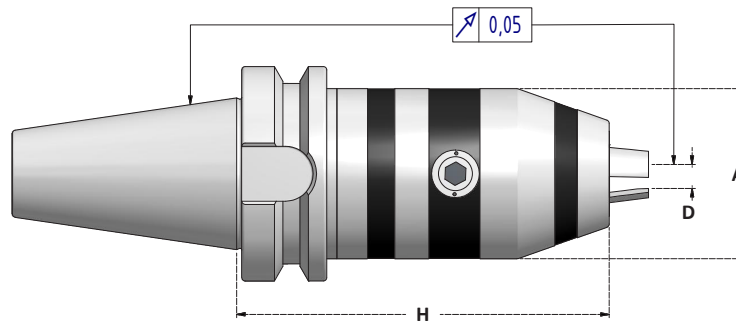
**TITANIUM
COATED JAWS**

ACCESSORI - ACCESSORIES



**MANDRINI PORTAPUNTA AUTOSERRANTI CON PASSAGGIO DEL REFRIGERANTE
ROTAZIONE DESTRA E SINISTRA**

DRILL CHUCKS WITH COOLANT THROUGH - RIGHT AND LEFT ROTATION

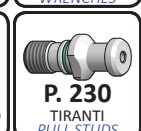
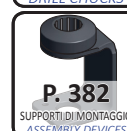


Articolo	D	H	A	Chiave Wrench
BT40.H78.HD8	0,5- 8	78	36	CH.HD8
BT40.H98.HD13	1-13	98	50	CH.HD13-16
BT40.H103.HD16	2,5-16	103	50	CH.HD13-16

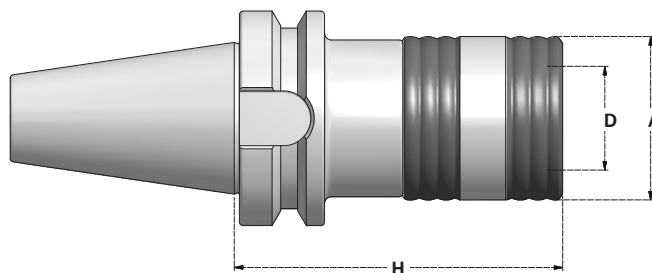


Articolo	D	H	A	Chiave Wrench
BT50.H109.HD13	1-13	109	50	CH.HD13-16
BT50.H114.HD16	2,5-16	114	50	CH.HD13-16

ACCESSORI - ACCESSORIES

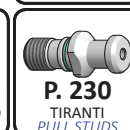


MASCHIATORI A CAMBIO RAPIDO PER MASCHIATURA RIGIDA
QUICK CHANGE TAPPING CHUCKS FOR RIGID TAPPING



Articolo	Bussola Adapter	D	Tapping Range	A	H
BT40.MCR1R	B1 / BF1	19	M3÷M12	32	65
BT40.MCR2R	B2 / BF2	31	M6÷M20	54	93

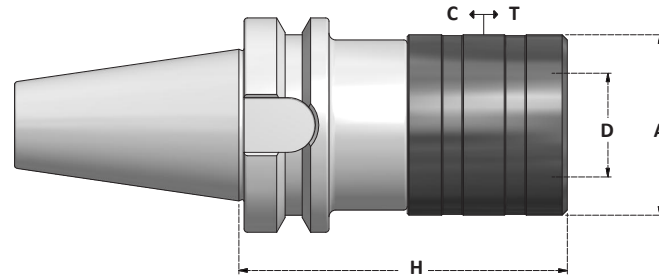
ACCESSORI - ACCESSORIES



MAS 403 (JIS B 6339)

BT

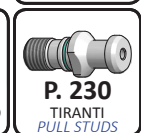
MCR

**MASCHIATORI A CAMBIO RAPIDO
CON COMPENSAZIONE ASSIALE A TRAZIONE E COMPRESIONE**
QUICK CHANGE TAPPING CHUCKS WITH AXIAL COMPENSATION


Articolo	Bussola Adapter	D	Tapping Range	A	H	T	C
BT40.MCR1TC	B1 / BF1	19	M3÷M12	36	67,5	7,5	7,5
BT40.MCR2TC	B2 / BF2	31	M6÷M20	53	94,5	12,5	12,5
BT40.MCR3TC	B3 / BF3	48	M14÷M33	78	164,5	20	20
BT40.MCR4TC	B4 / BF4	60	M22÷M48	96	180	22,5	22,5

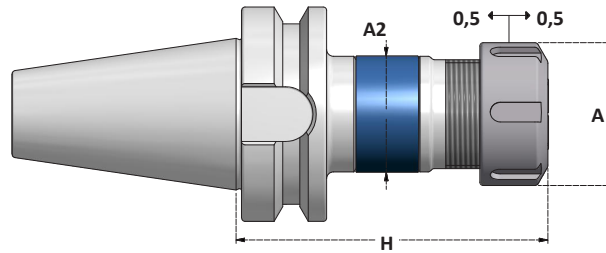


Articolo	Bussola Adapter	D	Tapping Range	A	H	T	C
BT50.MCR1TC	B1 / BF1	19	M3÷M12	36	77	7,5	7,5
BT50.MCR2TC	B2 / BF2	31	M6÷M20	53	102,5	12,5	12,5
BT50.MCR3TC	B3 / BF3	48	M14÷M33	78	142,5	20	20
BT50.MCR4TC	B4 / BF4	60	M22÷M48	96	164,5	22,5	22,5

ACCESSORI - ACCESSORIES


MANDRINI PER MASCHIATURA SINCRONIZZATA

TAPPING CHUCKS FOR SYNCHRONIZED TAPPING








Articolo	H	A	A2	Collets Range	Tapping Range	Ghiera Nut
BTB40.ERC16MSY	79	22	34	3,5 ÷ 10	M3 ÷ M12	G16M

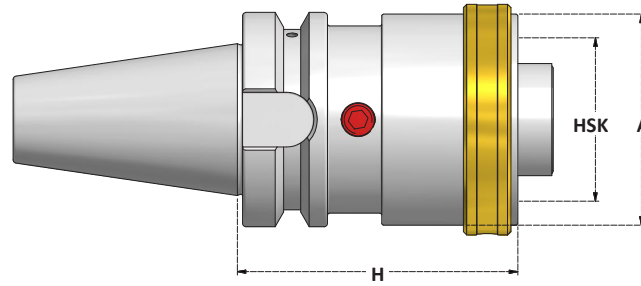


Articolo	H	A	A2	Collets Range	Tapping Range	Ghiera Nut
BTB40.ERC16SY	79	32	34	3,5 ÷ 10	M3 ÷ M12	G16S
BTB40.ERC25SY	89	42	45	3,5 ÷ 16	M3 ÷ M20	G25S
BTB40.ERC32SY	110	50	45	3,5 ÷ 20	M3 ÷ M27	G32S
BTB40.ERC40SY	115	63	62	6 ÷ 25	M5 ÷ M33	G40S

ACCESSORI - ACCESSORIES

 <p>P. 304 PINZE CON QUADRO COLLETS WITH SQUARE</p>	 <p>P. 341 GHIERE NUTS</p>	 <p>P. 353 CHIAVI WRENCHES</p>
 <p>P. 382 SUPPORTI DI MONTAGGIO ASSEMBLY DEVICES</p>	 <p>P. 230 TIRANTI PULL STUDS</p>	

ADATTATORI HSK FORMA A/C
ADAPTERS HSK FORM A/C

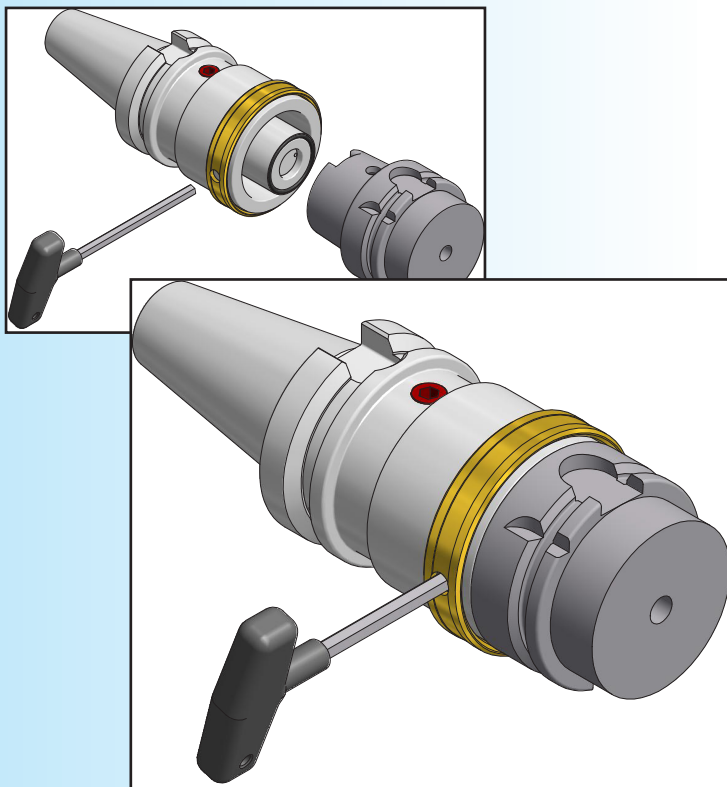
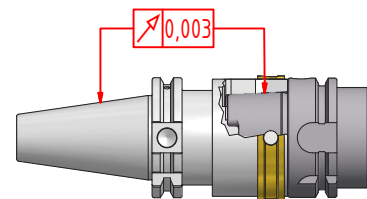


Articolo	H	A	HSK A/C
BTB40.H80.HSK50AC	80	55	50
BTB40.H90.HSK63AC	90	70	63



Articolo	H	A	HSK A/C
BTB50.H80.HSK50AC	80	55	50
BTB50.H100.HSK63AC	100	70	63
BTB50.H120.HSK100AC	120	110	100

ALTRI A RICHIESTA
OTHERS ON REQUEST

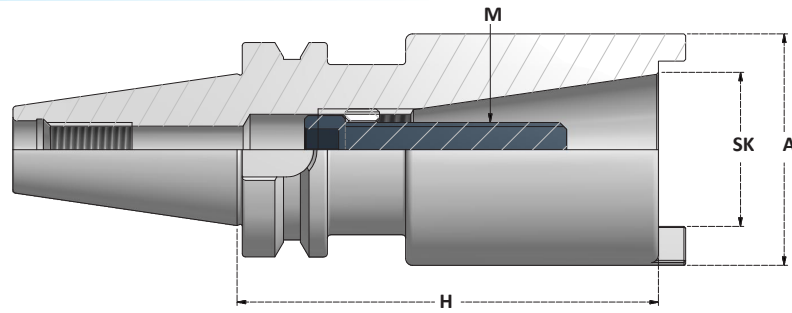


ACCESSORI - ACCESSORIES



MANDRINI DI RIDUZIONE TC-BT-ISO

TC-BT-ISO REDUCTION SLEEVES



Articolo	H	A	M	SK
BT40.H60.TB30	60	50	M12	TC30 / BT30
BT40.H95.TB40	95	70	M16	TC40 / BT40



Articolo	H	A	M	SK
BT40.H60.ISO30	60	50	M12	ISO30
BT40.H95.ISO40	95	70	M16	ISO40



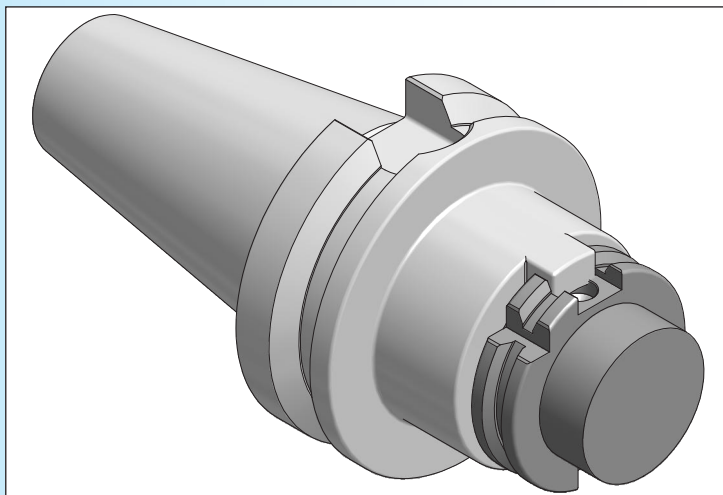
Articolo	H	A	M	SK
BT50.H70.TB40	70	70	M16	TC40 / BT40
BT50.H130.TB50	130	90	M24	TC50 / BT50



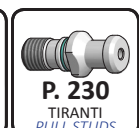
Articolo	H	A	M	SK
BT50.H70.ISO40	70	70	M16	ISO40
BT50.H130.ISO50	130	90	M24	ISO50

**FORNITI CON VITE SENZA FORO
PER IL PASSAGGIO DEL
REFRIGERANTE**

*SUPPLIED WITH SCREW WITHOUT
COOLANT THROUGH*

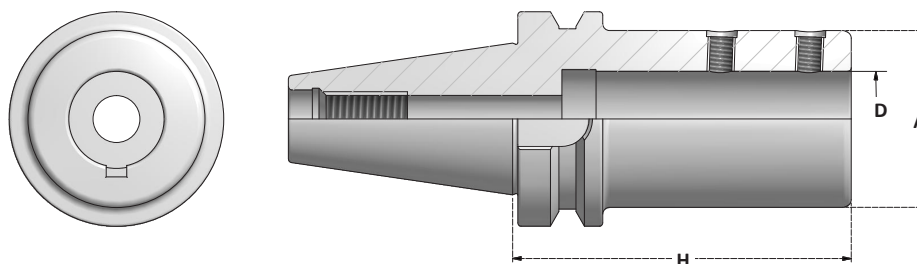


ACCESSORI - ACCESSORIES



MANDRINI PORTA INSERZIONI REGISTRABILI DIN 6327

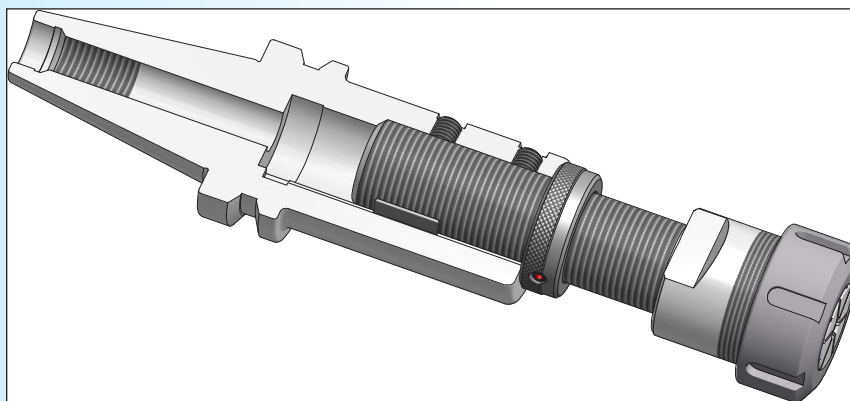
HOLDERS FOR ADJUSTABLE ADAPTERS DIN 6327



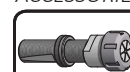
Articolo	D	H	A
BT40.H75.TR16	16	75	25
BT40.H80.TR20	20	80	32
BT40.H100.TR28	28	100	40
BT40.H115.TR36	36	115	50



Articolo	D	H	A
BT50.H85.TR16	16	85	25
BT50.H85.TR20	20	85	32
BT50.H100.TR28	28	100	40
BT50.H100.TR36	36	100	50
BT50.H105.TR48	48	105	67



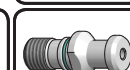
ACCESSORI - ACCESSORIES



P. 222
PORTAUTENSILI DIN6327
DIN6327 TOOLHOLDERS



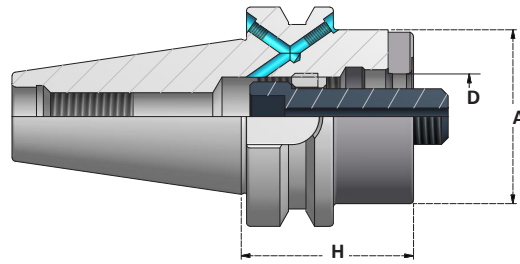
P. 382
SUPPORTI DI MONTAGGIO
ASSEMBLY DEVICES



P. 230
TIRANTI
PULL STUDS

MANDRINI MODULARI TIPO VARILOCK

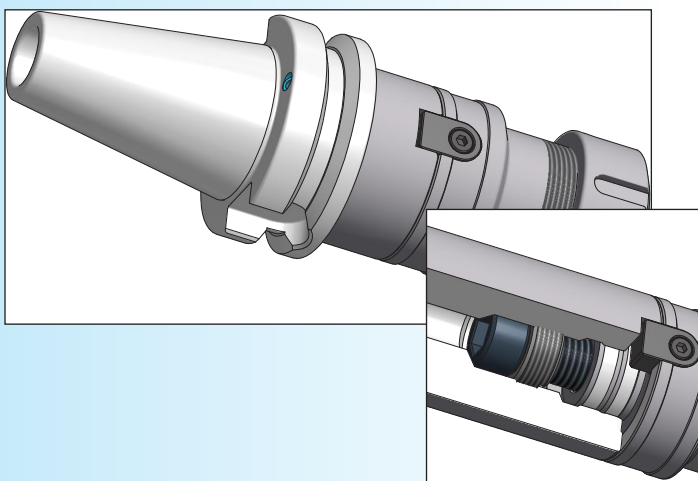
MODULAR TOOLHOLDERS VARILOCK TYPE



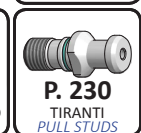
Articolo	A	H	D	Attacco
BTB40.H27.MD50	50	27	27,3 / 27	MD50
BTB40.H50.MD50	50	50	27,3 / 27	MD50
BTB40.H27.MD63	63	27	32,3 / 32	MD63
BTB40.H50.MD63	63	50	32,3 / 32	MD63

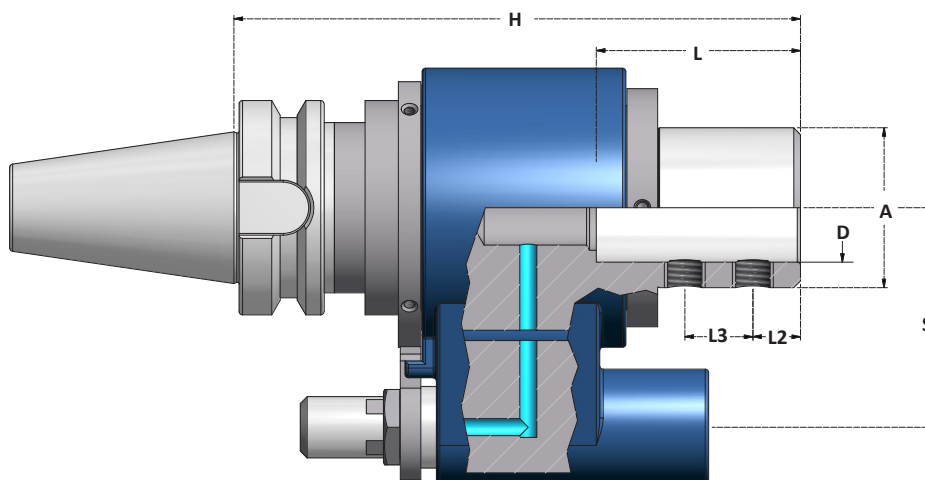


Articolo	A	H	D	Attacco
BTB50.H38.MD50	50	38	27,3 / 27	MD50
BTB50.H50.MD50	50	50	27,3 / 27	MD50
BTB50.H50.MD63	63	50	32,3 / 32	MD63
BTB50.H50.MD80	80	50	32,3 / 32	MD80



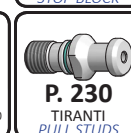
ACCESSORI - ACCESSORIES



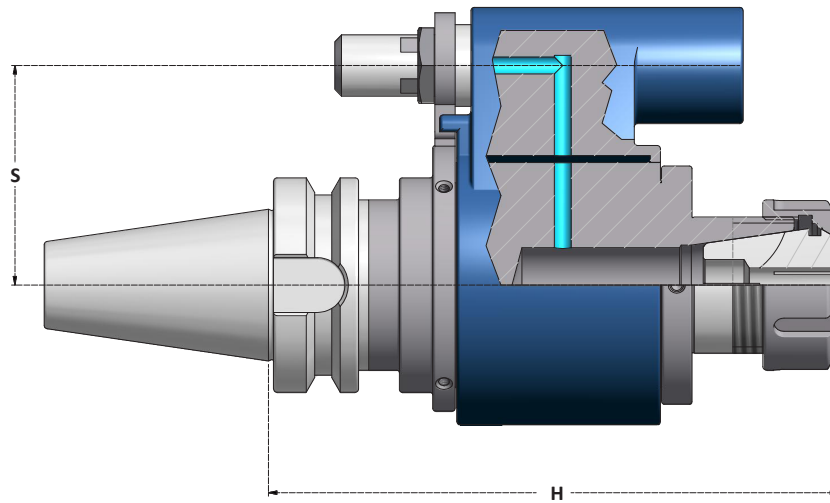
DISTRIBUTORI ROTANTI DEL REFRIGERANTE PER ATTACCHI CILINDRICI
SIDE LOCK OIL HOLE HOLDERS


Articolo	D	H	A	L	S	L2	L3
BT40.D16DR	16	165	46,5	48	65	25	/
BT40.D20DR	20	165	46,5	50	65	25	/
BT40.D25DR	25	165	46,5	56	65	15	20
BT40.D32DR	32	165	47	60	65	15	20

Articolo	D	H	A	L	S	L2	L3
BT50.D16DR	16	165	56	48	80	25	/
BT50.D20DR	20	165	56	50	80	25	/
BT50.D25DR	25	165	56	56	80	15	20
BT50.D32DR	32	165	56	60	80	15	20
BT50.D40DR	40	170	56	62	80	15	25

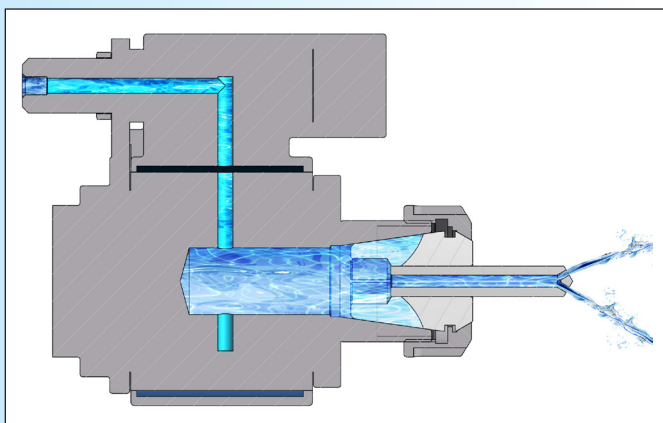
ACCESSORI - ACCESSORIES


DISTRIBUTORI ROTANTI DEL REFRIGERANTE PORTAPINZA ER
ER OIL HOLE HOLDERS COLLET CHUCKS



Articolo	H	S	Collets Range	Ghiera Nut
BT40.ERC16DR	160	65	1÷10	G16SE
BT40.ERC20DR	160	65	1÷14	G20SE
BT40.ERC25DR	160	65	1÷20	G25S
BT40.ERC32DR	160	65	2÷22	G32S

Articolo	H	S	Collets Range	Ghiera Nut
BT50.ERC16DR	160	80	1÷10	G16SE
BT50.ERC20DR	160	80	1÷14	G20SE
BT50.ERC25DR	160	80	1÷20	G25S
BT50.ERC32DR	160	80	2÷22	G32S
BT50.ERC40DR	160	80	3÷30	G40S



ACCESSORI - ACCESSORIES



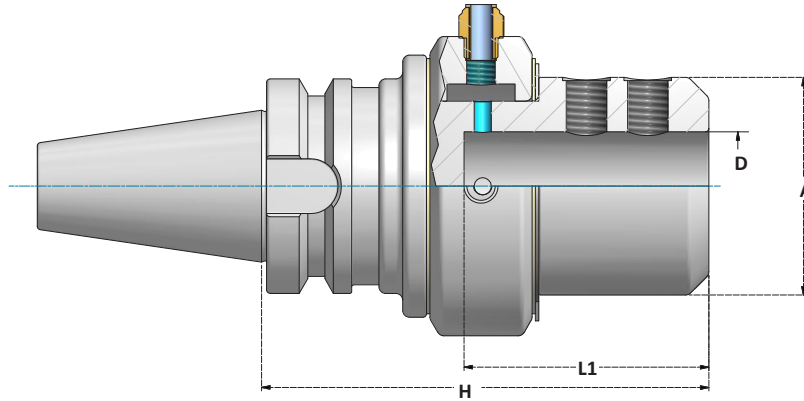
MAS 403 (JIS B 6339)

BT

DRM

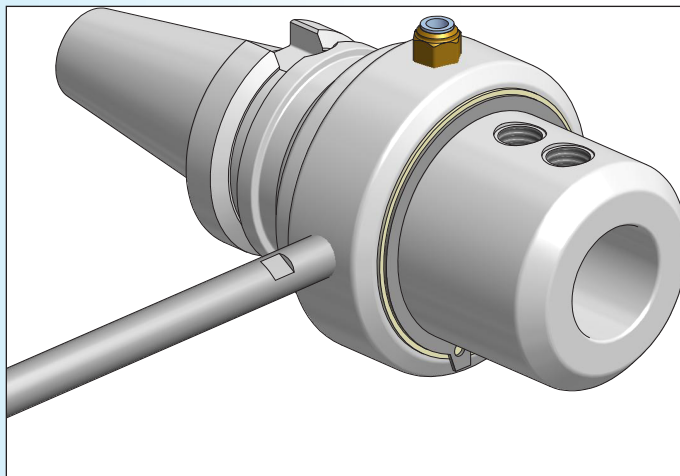
**DISTRIBUTORI ROTANTI DEL REFRIGERANTE A CAMBIO MANUALE
PER ATTACCHI CILINDRICI**

MANUAL SIDE LOCK OIL HOLE HOLDERS



Articolo	D	H	A	L1
BT40.DRM32	32	125	64,5	72

Articolo	D	H	A	L1
BT50.DRM40	40	145	64,5	82

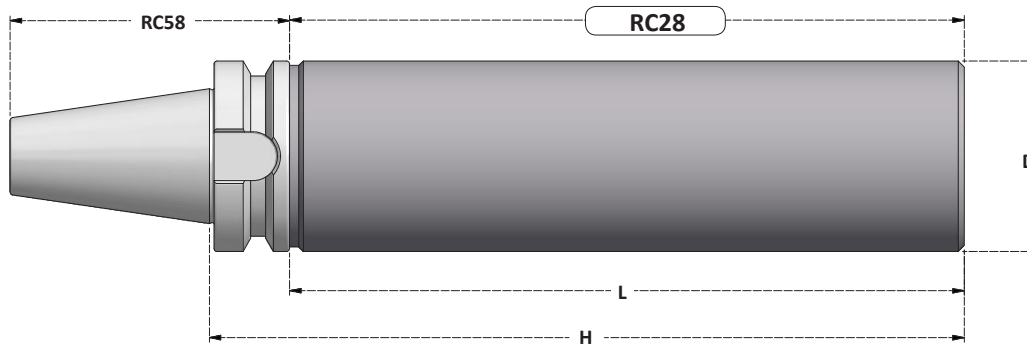


ACCESSORI - ACCESSORIES



MANDRINI CON STELO LAVORABILE

BLANK ARBORS

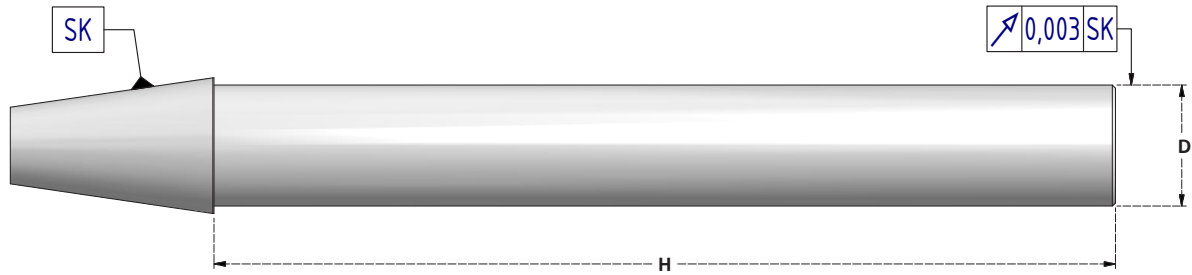


Articolo	D	H	L
BT40.H250.D40BL	40	250	223
BT40.H160.D63BL	63	160	133
BT40.H250.D63BL	63	250	223
BT40.H270.D80BL	80	270	243

Articolo	D	H	L
BT50.H330.D50BL	50	330	292
BT50.H330.D80BL	80	330	292
BT50.H315.D97BL	97	315	277

MANDRINI DI COLLAUDO

TEST ARBORS



Articolo	D	H
BT30.H200.CK32	32	200
BT40.H300.CK40	40	300
BT50.H300.CK50	50	300

**FORNITI CON BOX
E CERTIFICATO DI COLLAUDO**

*SUPPLIED IN BOX
AND WITH TESTING REPORT*