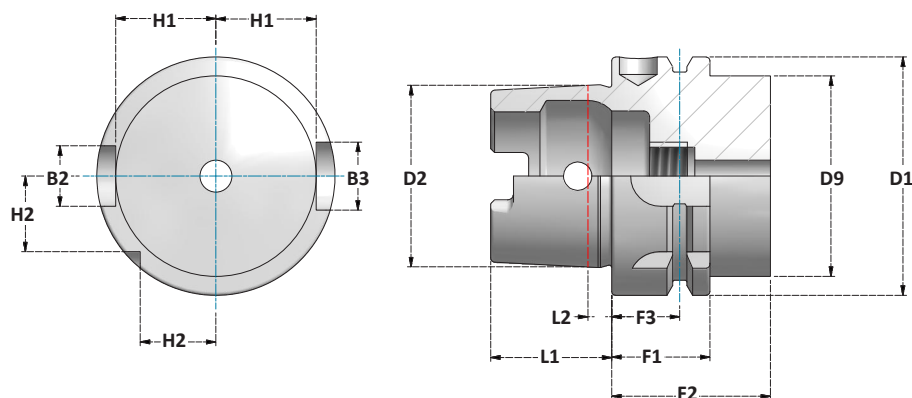
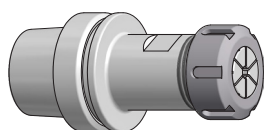


MANDRINI HSK FORMA A
HSK FORM A TOOLHOLDERS



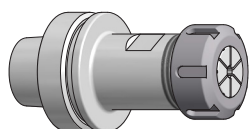
DIMENSIONI DELL'ATTACCO
SHANK DIMENSIONS

ATTACCO SHANK	D1	D2	D9	L1	L2	F1	F2	F3	H1	H2	B2	B3
	h10		max	0 -0,2		0 -0,1	min	±0,1	0 -0,2	0 -0,3	H10	H10
50	50	38,009	42	25	5	26	42	18	21	15,5	12	14
63	63	48,010	53	32	6,3	26	42	18	26,5	20	16	18
100	100	75,013	88	50	10	29	45	20	44	31,5	20	22



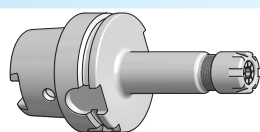
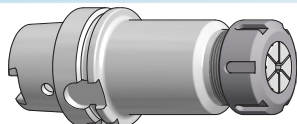
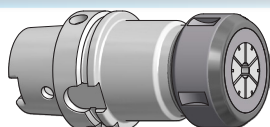
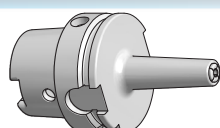
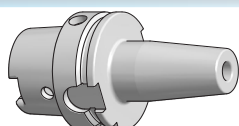
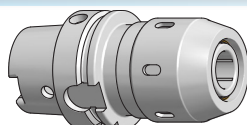
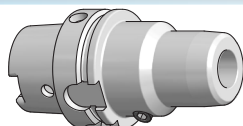
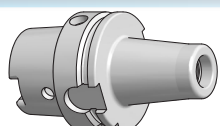
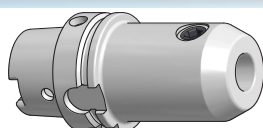
HSK FORM E
DIN 69893-5

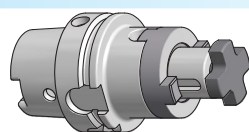
PAG. 35



HSK FORM F
DIN 69893-6

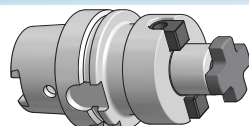
PAG. 40

**MANDRINI PORTAPINZA ER - GHIERE MINI**
*COLLET CHUCKS ER - MINI NUTS***DIN ISO 15488** (DIN6499)*PAG. 4***MANDRINI PORTAPINZA ER - GHIERE STANDARD**
*COLLET CHUCKS ER - STANDARD NUTS***DIN ISO 15488** (DIN6499)*PAG. 6***MANDRINI PORTAPINZA EOC**
*COLLET CHUCKS EOC***DIN ISO 10897** (DIN6388)*PAG. 10***MANDRINI PORTAPINZA P8**
*COLLET CHUCKS P8**PAG. 11***MANDRINI A CALETTAMENTO A CALDO**
*SHRINK FIT CHUCKS**PAG. 12***MANDRINI A FORTE SERRAGGIO**
*POWER MILLING CHUCKS**PAG. 15***MANDRINI A SERRAGGIO IDRAULICO**
*HYDRAULIC CHUCKS**PAG. 16***MANDRINI PORTAFRESA CON ATTACCO FILETTATO**
*SCREW IN MILL CHUCKS**PAG. 17***MANDRINI PORTAFRESA WELDON**
*END MILL HOLDERS WELDON***DIN 1835-2***PAG. 19*

**MANDRINI PORTAFRESA COMBI**
COMBI SHELL MILL HOLDERS

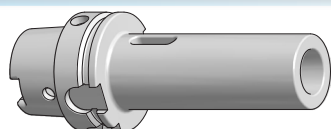
DIN 6358

PAG. 25

**MANDRINI PORTAFRESA FISSI**
SHELL MILL HOLDERS

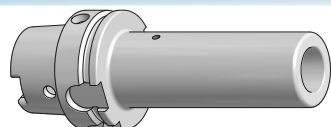
DIN 6357

PAG. 26

**RIDUZIONI A CONO MORSE PER PUNTE**
MORSE TAPER ADAPTERS FOR DRILLS

DIN 6383

PAG. 28

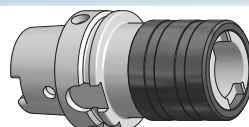
**RIDUZIONI A CONO MORSE PER FRESE**
MORSE TAPER ADAPTERS FOR THREADED MILLS

DIN 6364

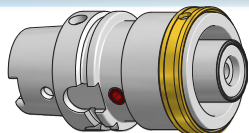
PAG. 28

**MANDRINI DA TRAPANO**
DRILL CHUCKS

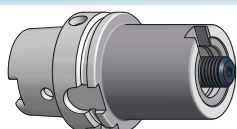
PAG. 29

**PORTAMASCHI**
TAPPING CHUCKS

PAG. 30

**RIDUZIONI**
ADAPTERS

PAG. 32

**MANDRINI MODULARI TIPO VARILOCK**
MODULAR TOOLHOLDERS VARILOCK TYPE

PAG. 33

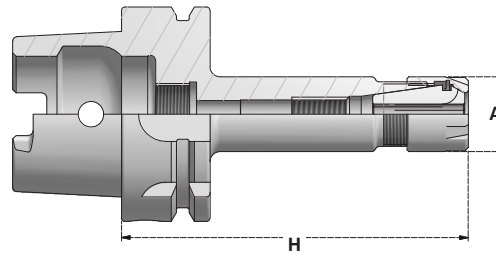
**MANDRINI CON STELO LAVORABILE**
BLANK ARBORS

PAG. 34

**BARRE DI COLLAUDO**
TEST ARBORS

PAG. 34

MANDRINI PORTAPINZA ER ER COLLET CHUCKS



G6,3
18000 r.p.m.

Articolo	H	A	Collets Range	Ghiera Nut
HSK50A.H100.ERC8M	100	12	1÷5	G8M
HSK50A.H100.ERC11M	100	16	1÷7	G11M
HSK50A.H100.ERC16M	100	22	1÷10	G16M
HSK50A.H100.ERC20M	100	28	1÷14	G20M
HSK50A.H100.ERC25M	100	35	1÷20	G25M



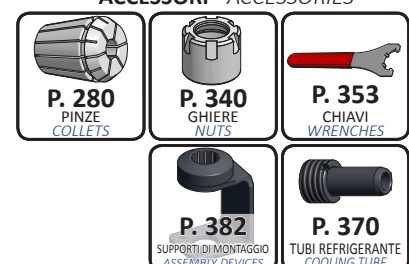
G6,3
18000 r.p.m.

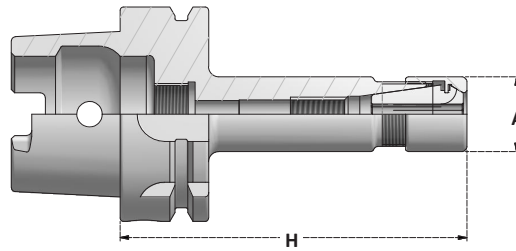
Articolo	H	A	Collets Range	Ghiera Nut
HSK63A.H100.ERC11M	100	16	1÷7	G11M
HSK63A.H130.ERC11M	130	16	1÷7	G11M
HSK63A.H160.ERC11M	160	16	1÷7	G11M
HSK63A.H100.ERC16M	100	22	1÷10	G16M
HSK63A.H130.ERC16M	130	22	1÷10	G16M
HSK63A.H160.ERC16M	160	22	1÷10	G16M
HSK63A.H100.ERC20M	100	28	1÷14	G20M
HSK63A.H130.ERC20M	130	28	1÷14	G20M
HSK63A.H160.ERC20M	160	28	1÷14	G20M
HSK63A.H100.ERC25M	100	35	1÷20	G25M
HSK63A.H130.ERC25M	130	35	1÷20	G25M
HSK63A.H160.ERC25M	160	35	1÷20	G25M

G6,3
15000 r.p.m.

Articolo	H	A	Collets Range	Ghiera Nut
HSK100A.H100.ERC16M	100	22	1÷10	G16M
HSK100A.H130.ERC16M	130	22	1÷10	G16M
HSK100A.H160.ERC16M	160	22	1÷10	G16M
HSK100A.H200.ERC16M	200	22	1÷10	G16M
HSK100A.H100.ERC20M	100	28	1÷14	G20M
HSK100A.H130.ERC20M	130	28	1÷14	G20M
HSK100A.H160.ERC20M	160	28	1÷14	G20M
HSK100A.H200.ERC20M	200	28	1÷14	G20M
HSK100A.H100.ERC25M	100	35	1÷20	G25M
HSK100A.H130.ERC25M	130	35	1÷20	G25M
HSK100A.H160.ERC25M	160	35	1÷20	G25M
HSK100A.H200.ERC25M	200	35	1÷20	G25M

ACCESSORI - ACCESSORIES



MANDRINI PORTAPINZA ER PER ALTE VELOCITA'
ER COLLET CHUCKS FOR HIGH SPEEDS

G2,5
 25000 r.p.m.

Articolo	H	A	Collets Range	Ghiera Nut
HSK63A.H100.ERC11MNF	100	16	1÷7	G11NFM
HSK63A.H130.ERC11MNF	130	16	1÷7	G11NFM
HSK63A.H160.ERC11MNF	160	16	1÷7	G11NFM
HSK63A.H100.ERC16MNF	100	22	1÷10	G16NFM
HSK63A.H130.ERC16MNF	130	22	1÷10	G16NFM
HSK63A.H160.ERC16MNF	160	22	1÷10	G16NFM
HSK63A.H100.ERC20MNF	100	28	1÷14	G20NFM
HSK63A.H130.ERC20MNF	130	28	1÷14	G20NFM
HSK63A.H160.ERC20MNF	160	28	1÷14	G20NFM
HSK63A.H100.ERC25MNF	100	35	1÷20	G25NFM
HSK63A.H130.ERC25MNF	130	35	1÷20	G25NFM
HSK63A.H160.ERC25MNF	160	35	1÷20	G25NFM

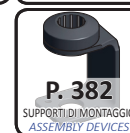
ALTRI A RICHIESTA
OTHERS ON REQUEST

MNF

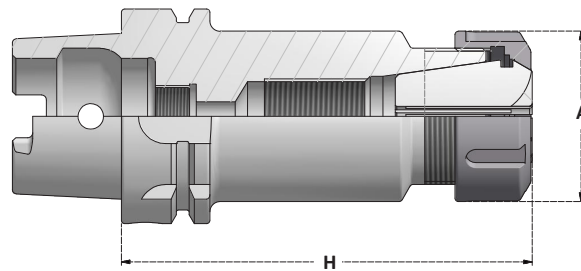

 GHIERE **MINI** SENZA TACCHE
*NOTCH-FREE **MINI** NUTS*
ACCESSORI - ACCESSORIES

P. 280
 PINZE
 COLLETS

P. 342
 GHIERE
 NUTS

P. 356
 CHIAVI
 WRENCHES

P. 382
 SUPPORTI DI MONTAGGIO
 ASSEMBLY DEVICES

P. 370
 TUBI REFRIGERANTE
 COOLING TUBE

MANDRINI PORTAPINZA ER
ER COLLET CHUCKS

G6,3

18000.r.p.m.

Articolo	H	A	Collets Range	Ghiera Nut
HSK50A.H100.ERC16	100	28	1÷10	G16SE
HSK50A.H100.ERC20	100	34	1÷14	G20SE
HSK50A.H100.ERC25	100	42	1÷20	G25S
HSK50A.H100.ERC32	100	50	2÷22	G32S

G6,3

18000.r.p.m.

Articolo	H	A	Collets Range	Ghiera Nut
HSK63A.H100.ERC16	100	28	1÷10	G16SE
HSK63A.H130.ERC16	130	28	1÷10	G16SE
HSK63A.H160.ERC16	160	28	1÷10	G16SE
HSK63A.H200.ERC16	200	28	1÷10	G16SE
HSK63A.H100.ERC20	100	34	1÷14	G20SE
HSK63A.H130.ERC20	130	34	1÷14	G20SE
HSK63A.H160.ERC20	160	34	1÷14	G20SE
HSK63A.H200.ERC20	200	34	1÷14	G20SE
HSK63A.H100.ERC25	100	42	1÷20	G25S
HSK63A.H130.ERC25	130	42	1÷20	G25S
HSK63A.H160.ERC25	160	42	1÷20	G25S
HSK63A.H200.ERC25	200	42	1÷20	G25S
HSK63A.H80.ERC32	80	50	2÷22	G32S
HSK63A.H100.ERC32	100	50	2÷22	G32S
HSK63A.H130.ERC32	130	50	2÷22	G32S
HSK63A.H160.ERC32	160	50	2÷22	G32S
HSK63A.H200.ERC32	200	50	2÷22	G32S
HSK63A.H100.ERC40	100	63	3÷30	G40S
HSK63A.H130.ERC40	130	63	3÷30	G40S
HSK63A.H160.ERC40	160	63	3÷30	G40S
HSK63A.H200.ERC40	200	63	3÷30	G40S

SE


 GHIERE **STANDARD** ESAGONALI
 HEXAGONAL **STANDARD** NUTS

S

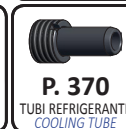

 GHIERE **STANDARD** CON TACCHE
STANDARD NUTS WITH SLOTS

ACCESSORI - ACCESSORIES

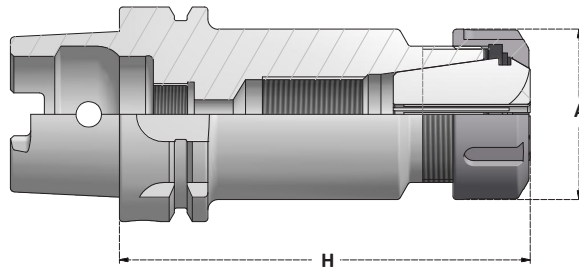
P. 280
 PINZE
 COLLETS

P. 341
 GHIERE
 NUTS

P. 353
 CHIAVI
 WRENCHES

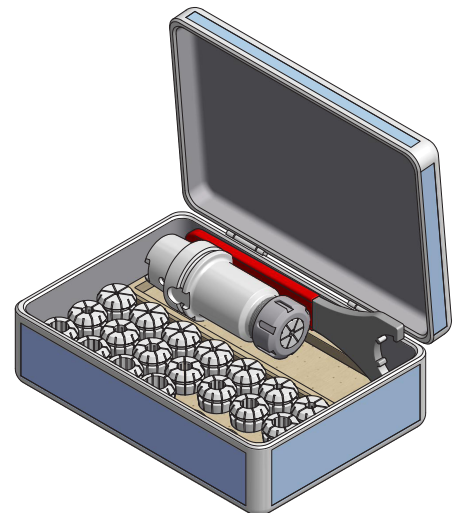
P. 382
 SUPPORTI DI MONTAGGIO
 ASSEMBLY DEVICES

P. 370
 TUBI REFRIGERANTE
 COOLING TUBE

MANDRINI PORTAPINZA ER
ER COLLET CHUCKS



G6,3
1.5000 r.p.m.

Articolo	H	A	Collets Range	Ghiera Nut
HSK100A.H100.ERC16	100	28	1÷10	G16SE
HSK100A.H130.ERC16	130	28	1÷10	G16SE
HSK100A.H160.ERC16	160	28	1÷10	G16SE
HSK100A.H200.ERC16	200	28	1÷10	G16SE
HSK100A.H100.ERC20	100	34	1÷14	G20SE
HSK100A.H130.ERC20	130	34	1÷14	G20SE
HSK100A.H160.ERC20	160	34	1÷14	G20SE
HSK100A.H200.ERC20	200	34	1÷14	G20SE
HSK100A.H100.ERC25	100	42	1÷20	G25S
HSK100A.H130.ERC25	130	42	1÷20	G25S
HSK100A.H160.ERC25	160	42	1÷20	G25S
HSK100A.H200.ERC25	200	42	1÷20	G25S
HSK100A.H80.ERC32	80	50	2÷22	G32S
HSK100A.H100.ERC32	100	50	2÷22	G32S
HSK100A.H130.ERC32	130	50	2÷22	G32S
HSK100A.H160.ERC32	160	50	2÷22	G32S
HSK100A.H200.ERC32	200	50	2÷22	G32S
HSK100A.H250.ERC32	250	50	2÷22	G32S
HSK100A.H100.ERC40	100	63	3÷30	G40S
HSK100A.H130.ERC40	130	63	3÷30	G40S
HSK100A.H160.ERC40	160	63	3÷30	G40S
HSK100A.H200.ERC40	200	63	3÷30	G40S
HSK100A.H250.ERC40	250	63	3÷30	G40S



KIT - MANDRINO, CHIAVE E PINZE

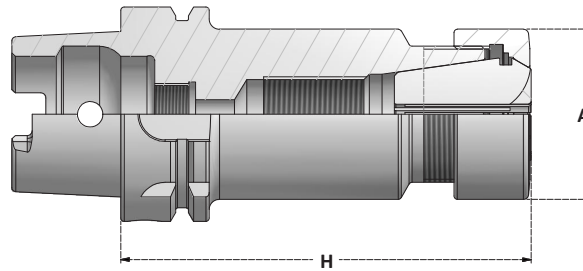
KIT - TOOLHOLDER, WRENCH AND COLLETS

Articolo	Pinze Collets	Mandrino Toolholder	Chiave Wrench
BX.HSK63A.ERC32	ERC32.D3÷20 x 1,0mm	HSK63A.H100.ERC32	CH32S
BX.HSK63A.ERC40	ERC40.D4÷26 x 1,0mm	HSK63A.H100.ERC40	CH40S
BX.HSK100A.ERC32	ERC32.D3÷20 x 1,0mm	HSK100A.H100.ERC32	CH32S
BX.HSK100A.ERC40	ERC40.D4÷26 x 1,0mm	HSK100A.H100.ERC40	CH40S

ALTRI A RICHIESTA
OTHERS ON REQUEST

ACCESSORI - ACCESSORIES



MANDRINI PORTAPINZA ER PER ALTE VELOCITA'
ER COLLET CHUCKS FOR HIGH SPEEDS

G2,5
 25000 r.p.m.

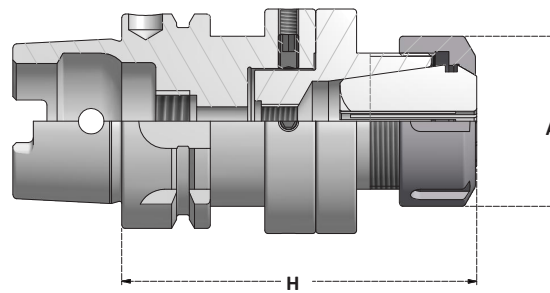
Articolo	H	A	Collets Range	Ghiera Nut
HSK63A.H100.ERC16NF	100	32	1÷10	G16NF
HSK63A.H130.ERC16NF	130	32	1÷10	G16NF
HSK63A.H160.ERC16NF	160	32	1÷10	G16NF
HSK63A.H100.ERC20NF	100	35	1÷14	G20NF
HSK63A.H130.ERC20NF	130	35	1÷14	G20NF
HSK63A.H160.ERC20NF	160	35	1÷14	G20NF
HSK63A.H100.ERC25NF	100	42	1÷20	G25NF
HSK63A.H130.ERC25NF	130	42	1÷20	G25NF
HSK63A.H160.ERC25NF	160	42	1÷20	G25NF
HSK63A.H100.ERC32NF	100	50	2÷22	G32NF
HSK63A.H130.ERC32NF	130	50	2÷22	G32NF
HSK63A.H160.ERC32NF	160	50	2÷22	G32NF

ALTRI A RICHIESTA
OTHERS ON REQUEST

ACCESSORI - ACCESSORIES


MANDRINI PORTAPINZA ER A CENTRATURA REGOLABILE

RUNOUT ADJUSTABLE ER COLLET CHUCKS

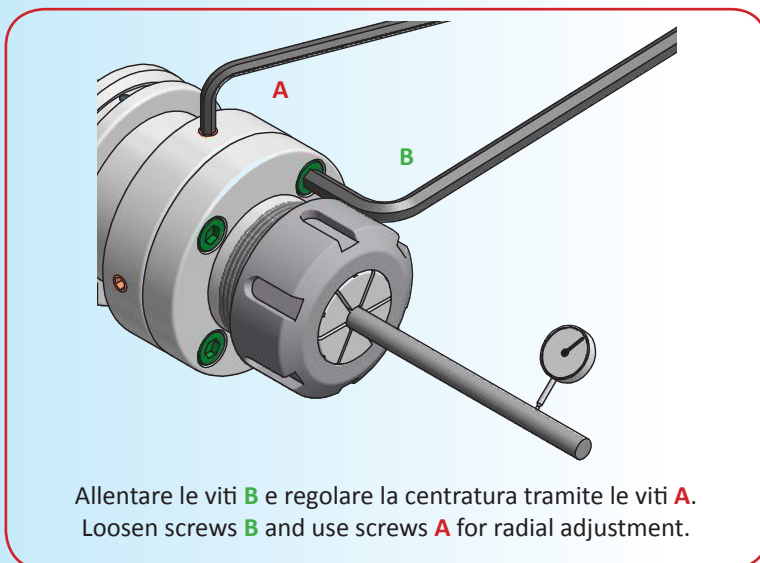


↑
±0,01mm
↓

Articolo	H	A	Collets Range	Ghiera Nut
HSK63A.H100.ERC16RG	100	28	1÷10	G16SE
HSK63A.H102.ERC20RG	102	34	1÷14	G20SE
HSK63A.H103.ERC25RG	103	42	1÷20	G25S
HSK63A.H104.ERC32RG	104	50	2÷22	G32S
HSK63A.H138.ERC40RG	138	63	3÷30	G40S

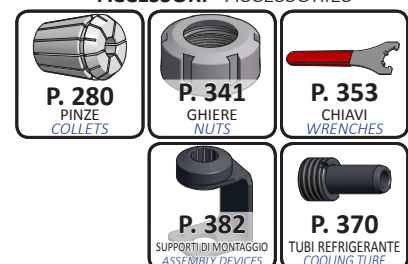
Centratura regolabile 0,01mm
Adjustable runout 0,01mm

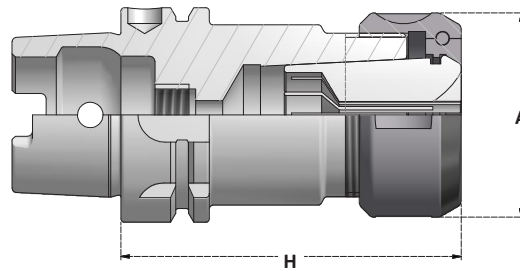
Articolo	H	A	Collets Range	Ghiera Nut
HSK100A.H103.ERC16RG	103	28	1÷10	G16SE
HSK100A.H105.ERC20RG	105	34	1÷14	G20SE
HSK100A.H106.ERC25RG	106	42	1÷20	G25S
HSK100A.H107.ERC32RG	107	50	2÷22	G32S
HSK100A.H141.ERC40RG	141	63	3÷30	G40S



Allentare le viti **B** e regolare la centratura tramite le viti **A**.
Loosen screws **B** and use screws **A** for radial adjustment.

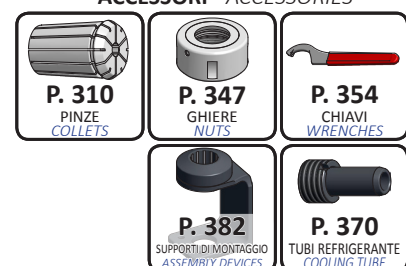
ACCESSORI - ACCESSORIES



MANDRINI PORTAPINZA EOC
EOC COLLET CHUCKS


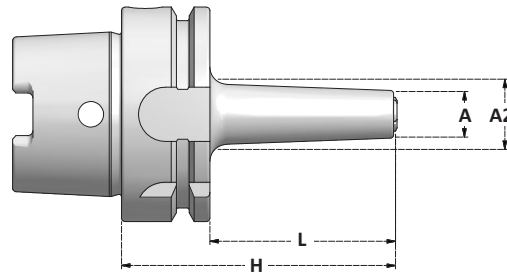
G6,3 15000 r.p.m.	Articolo	H	A	Collets Range	Ghiera Nut
	HSK63A.H100.EOC16	100	43	2÷16	G16OCC
	HSK63A.H100.EOC25	100	60	2÷25	G25OCC
	HSK63A.H130.EOC32	130	72	3÷32	G32OCC

G6,3 15000 r.p.m.	Articolo	H	A	Collets Range	Ghiera Nut
	HSK100A.H110.EOC16	110	43	2÷16	G16OCC
	HSK100A.H120.EOC25	120	60	2÷25	G25OCC
	HSK100A.H130.EOC32	130	72	3÷32	G32OCC

ACCESSORI - ACCESSORIES


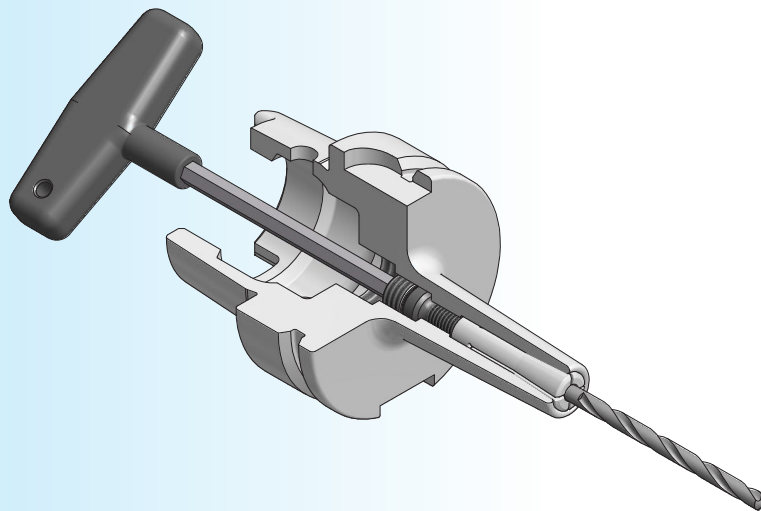
MANDRINI PORTAPINZA P8

P8 SLIM FIT COLLET CHUCKS



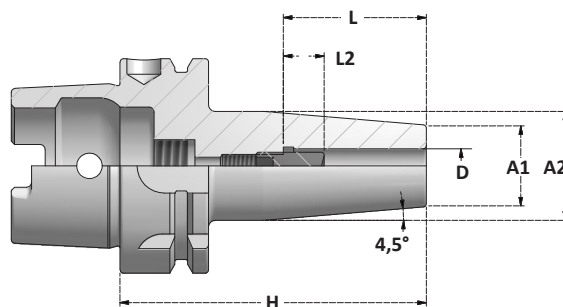
G2,5 25000 r.p.m.	Articolo	H	L	A	A2	Collets Range
	HSK63A.H80.P8	80	54	14	17	3+6
	HSK100A.120.P8	120	94	14	17	3+6

ALTRI A RICHIESTA
OTHERS ON REQUEST



ACCESSORI - ACCESSORIES



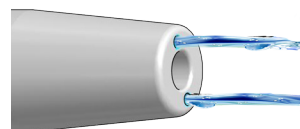
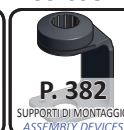
MANDRINI A CALETTAMENTO A CALDO
SHRINK FIT CHUCKS

G2,5

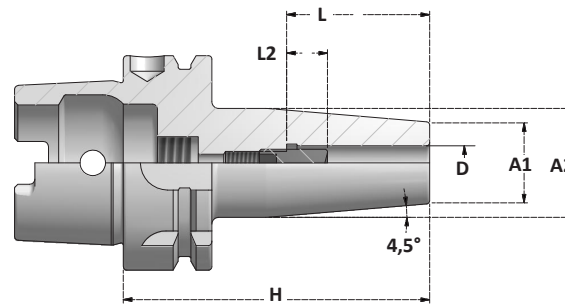
25000 r.p.m.

Articolo	D	H	L	L2	A1	A2
HSK63A.H80.TM3	3	80	12	10	10	20
* HSK63A.H120.TM3	3	120	12	/	10	20
* HSK63A.H160.TM3	3	160	12	/	10	20
HSK63A.H80.TM4	4	80	16	10	15	25
* HSK63A.H120.TM4	4	120	16	/	15	25
* HSK63A.H160.TM4	4	160	16	/	15	25
HSK63A.H80.TM5	5	80	20	10	15	25
* HSK63A.H120.TM5	5	120	20	/	15	25
* HSK63A.H160.TM5	5	160	20	/	15	25
HSK63A.H80.TM6	6	80	36	10	21	27
HSK63A.H130.TM6	6	130	36	10	21	27
HSK63A.H160.TM6	6	160	36	10	21	27
HSK63A.H80.TM8	8	80	36	10	21	27
HSK63A.H130.TM8	8	130	36	10	21	27
HSK63A.H160.TM8	8	160	36	10	21	27
HSK63A.H85.TM10	10	85	41	10	24	32
HSK63A.H130.TM10	10	130	41	10	24	32
HSK63A.H160.TM10	10	160	41	10	24	32
HSK63A.H90.TM12	12	90	46	10	24	32
HSK63A.H130.TM12	12	130	46	10	24	32
HSK63A.H160.TM12	12	160	46	10	24	32
HSK63A.H90.TM14	14	90	46	10	24	32
HSK63A.H130.TM14	14	130	46	10	24	32
HSK63A.H160.TM14	14	160	46	10	24	32
HSK63A.H95.TM16	16	95	49	10	24	32
HSK63A.H130.TM16	16	130	49	10	24	32
HSK63A.H160.TM16	16	160	49	10	24	32
HSK63A.H95.TM18	18	95	49	10	33	42
HSK63A.H130.TM18	18	130	49	10	33	42
HSK63A.H160.TM18	18	160	49	10	33	42
HSK63A.H100.TM20	20	100	51	10	33	42
HSK63A.H130.TM20	20	130	51	10	33	42
HSK63A.H160.TM20	20	160	51	10	33	42
HSK63A.H115.TM25	25	115	57	10	44	53
HSK63A.H130.TM25	25	130	57	10	44	53
HSK63A.H160.TM25	25	160	57	10	44	53
HSK63A.H120.TM32	32	120	61	10	44	53
HSK63A.H160.TM32	32	160	61	10	44	53

* Senza vite di regolazione / Without adjusting screw

Profondità regolabile L2
Adjustable depth L2

Con 4 fori per la bilanciatura.
Grani non compresi.
With 4 holes for balancing.
Screws not supplied.

Mandrini a calettamento con canali
per refrigerante fornibili a richiesta.
Shrink fit holders with coolant channels
on request.
ACCESSORI - ACCESSORIES


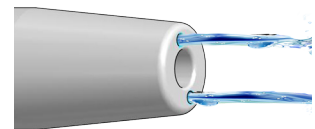
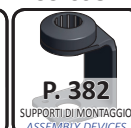
MANDRINI A CALETTAMENTO A CALDO
SHRINK FIT CHUCKS

G2,5

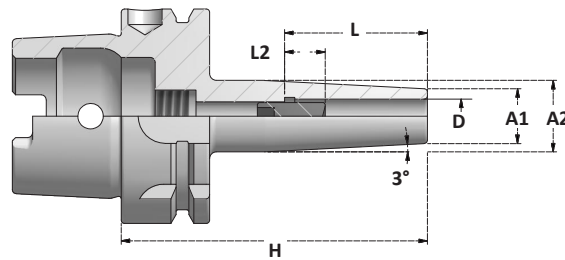
25000 r.p.m.

Articolo	D	H	L	L2	A1	A2
HSK100A.H85.TM3	3	85	12	10	10	20
* HSK100A.H120.TM3	3	120	12	/	10	20
* HSK100A.H160.TM3	3	160	12	/	10	20
HSK100A.H85.TM4	4	85	16	10	15	25
* HSK100A.H120.TM4	4	120	16	/	15	25
* HSK100A.H160.TM4	4	160	16	/	15	25
HSK100A.H85.TM5	5	85	20	10	15	25
* HSK100A.H120.TM5	5	120	20	/	15	25
* HSK100A.H160.TM5	5	160	20	/	15	25
HSK100A.H85.TM6	6	85	36	10	21	27
HSK100A.H120.TM6	6	120	36	10	21	27
HSK100A.H160.TM6	6	160	36	10	21	27
HSK100A.H85.TM8	8	85	36	10	21	27
HSK100A.H120.TM8	8	120	36	10	21	27
HSK100A.H160.TM8	8	160	36	10	21	27
HSK100A.H90.TM10	10	90	41	10	24	32
HSK100A.H120.TM10	10	120	41	10	24	32
HSK100A.H160.TM10	10	160	41	10	24	32
HSK100A.H95.TM12	12	95	46	10	24	32
HSK100A.H120.TM12	12	120	46	10	24	32
HSK100A.H160.TM12	12	160	46	10	24	32
HSK100A.H95.TM14	14	95	46	10	24	32
HSK100A.H120.TM14	14	120	46	10	24	32
HSK100A.H160.TM14	14	160	46	10	24	32
HSK100A.H100.TM16	16	100	49	10	24	32
HSK100A.H120.TM16	16	120	49	10	24	32
HSK100A.H160.TM16	16	160	49	10	24	32
HSK100A.H100.TM18	18	100	49	10	33	42
HSK100A.H120.TM18	18	120	49	10	33	42
HSK100A.H160.TM18	18	160	49	10	33	42
HSK100A.H105.TM20	20	105	51	10	33	42
HSK100A.H120.TM20	20	120	51	10	33	42
HSK100A.H160.TM20	20	160	51	10	33	42
HSK100A.H120.TM25	25	120	57	10	44	53
HSK100A.H160.TM25	25	160	57	10	44	53
HSK100A.H120.TM32	32	120	61	10	44	53
HSK100A.H160.TM32	32	160	61	10	44	53

* Senza vite di regolazione / Without adjusting screw

Profondità regolabile L2
Adjustable depth L2

Con 4 fori per la bilanciatura.
Grani non compresi.
With 4 holes for balancing.
Screws not supplied.

Mandrini a calettamento con canali per refrigerante fornibili a richiesta.
Shrink fit holders with coolant channels on request.
ACCESSORI - ACCESSORIES


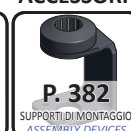
MANDRINI A CALETTAMENTO A CALDO SLIM
SLIM SHRINK FIT CHUCKS

G2,5

25000 r.p.m.

Articolo	D	H	L	L2	A1	A2
HSK63A.H80.TM3SL	3	80	12	10	9	13
* HSK63A.H120.TM3SL	3	120	12	/	9	16
HSK63A.H80.TM4SL	4	80	16	10	10	15
* HSK63A.H120.TM4SL	4	120	16	/	10	20
HSK63A.H80.TM5SL	5	80	20	10	11	16
* HSK63A.H120.TM5SL	5	120	20	/	11	20
HSK63A.H80.TM6SL	6	80	36	10	12	17
HSK63A.H130.TM6SL	6	130	36	10	12	19
HSK63A.H160.TM6SL	6	160	36	10	12	19
HSK63A.H80.TM8SL	8	80	36	10	14	19
HSK63A.H130.TM8SL	8	130	36	10	14	21
HSK63A.H160.TM8SL	8	160	36	10	14	21
HSK63A.H85.TM10SL	10	85	41	10	16	21
HSK63A.H130.TM10SL	10	130	41	10	16	23
HSK63A.H160.TM10SL	10	160	41	10	16	23
HSK63A.H90.TM12SL	12	90	46	10	18	23
HSK63A.H130.TM12SL	12	130	46	10	18	25
HSK63A.H160.TM12SL	12	160	46	10	18	25
HSK63A.H90.TM14SL	14	90	46	10	22	25
HSK63A.H130.TM14SL	14	130	46	10	22	27
HSK63A.H160.TM14SL	14	160	46	10	22	27
HSK63A.H95.TM16SL	16	95	49	10	24	29
HSK63A.H130.TM16SL	16	130	49	10	24	31
HSK63A.H160.TM16SL	16	160	49	10	24	31
HSK63A.H90.TM18SL	18	90	49	10	28	34
HSK63A.H130.TM18SL	18	130	49	10	28	35
HSK63A.H160.TM18SL	18	160	49	10	28	35
HSK63A.H90.TM20SL	20	90	51	10	32	39
HSK63A.H130.TM20SL	20	130	51	10	32	39
HSK63A.H160.TM20SL	20	160	51	10	32	39

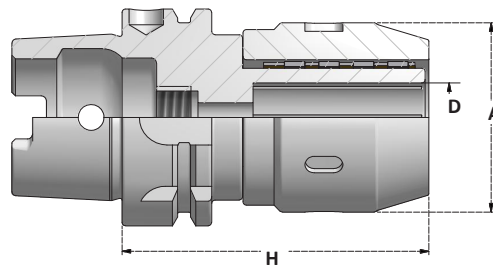
* Senza vite di regolazione / Without adjusting screw

 Profondità regolabile L2
Adjustable depth L2

ACCESSORI - ACCESSORIES


MANDRINI A FORTE SERRAGGIO

POWER MILLING CHUCKS



G6,3 15000rpm	Articolo	D	H	A
	HSK63A.H120.FS20	20	120	55
	HSK63A.H120.FS32	32	120	69

G6,3 15000rpm	Articolo	D	H	A
	HSK100A.H120.FS20	20	120	55
	HSK100A.H120.FS32	32	120	69

I TAGLI LONGITUDINALI PER TUTTA LA LUNGHEZZA DELLA SEDE PORTAUTENSILE AUMENTANO LA FORZA DI SERRAGGIO MA NON PERMETTONO LA TOTALE TENUTA DEL LIQUIDO REFRIGERANTE.

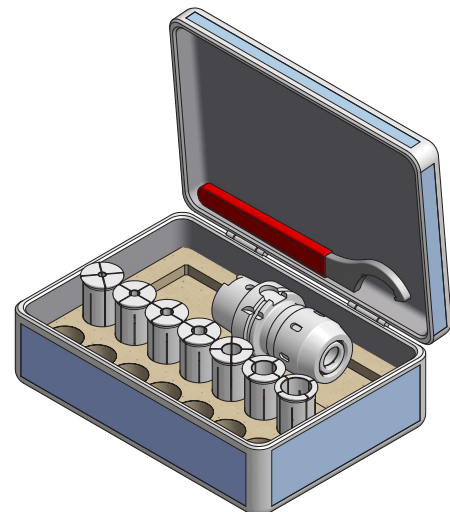
LONGITUDINAL CUTS ALL ALONG SEAT OF TOOL INCREASE CLAMPING FORCE BUT DO NOT ALLOW TOTAL SEALING.

KIT - MANDRINO, CHIAVE E PINZE

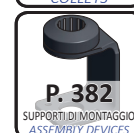
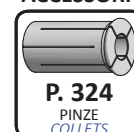
KIT - TOOLHOLDER, WRENCH AND COLLETS

Articolo	Pinze Collets	Mandrino con chiave Toolholder with wrench
BX.HSK63A.FS20	4SR20.D6-D8-D10-D12-D16	HSK63A.H120.FS20
BX.HSK63A.FS32	4SR32.D6-D8-D10-D12-D16-D20-D25	HSK63A.H120.FS32

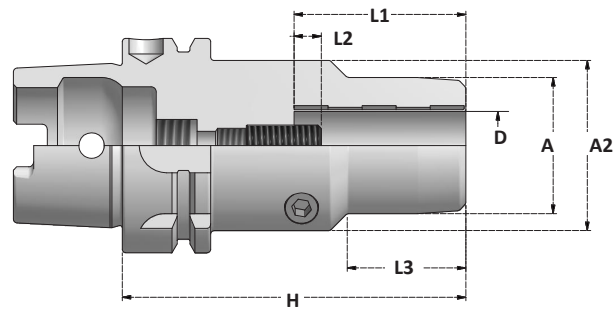
Articolo	Pinze Collets	Mandrino con chiave Toolholder with wrench
BX.HSK100A.FS20	4SR20.D6-D8-D10-D12-D16	HSK100A.H120.FS20
BX.HSK100A.FS32	4SR32.D6-D8-D10-D12-D16-D20-D25	HSK100A.H120.FS32



ACCESSORI - ACCESSORIES



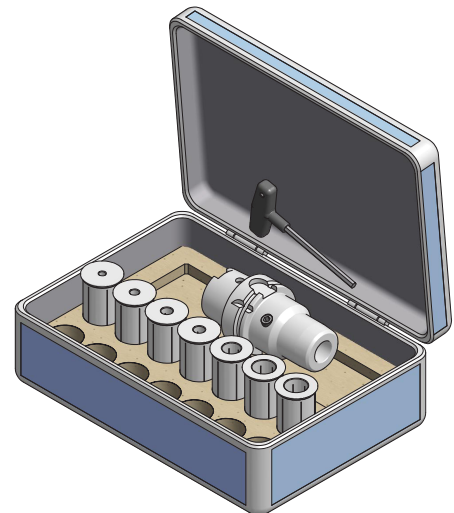
MANDRINI IDRAULICI HYDRAULIC CHUCKS



G2,5
25000 rpm

Articolo	D	H	L1	L2	L3	A	A2
HSK63A.H70.HY6	6	70	37	10	26	26	50
HSK63A.H150.HY6	6	150	37	10	105	26	50
HSK63A.H200.HY6	6	200	37	10	155	26	50
HSK63A.H70.HY8	8	70	37	10	26	28	50
HSK63A.H150.HY8	8	150	37	10	105	28	50
HSK63A.H200.HY8	8	200	37	10	155	28	50
HSK63A.H80.HY10	10	80	41	10	35	30	50
HSK63A.H150.HY10	10	150	41	10	105	30	50
HSK63A.H200.HY10	10	200	41	10	155	30	50
HSK63A.H85.HY12	12	85	46	10	40	32	50
HSK63A.H150.HY12	12	150	46	10	105	32	50
HSK63A.H200.HY12	12	200	46	10	155	32	50
HSK63A.H85.HY14	14	85	46	10	40	34	50
HSK63A.H150.HY14	14	150	46	10	105	34	50
HSK63A.H200.HY14	14	200	46	10	155	34	50
HSK63A.H90.HY16	16	90	49	10	46	38	50
HSK63A.H150.HY16	16	150	49	10	105	38	50
HSK63A.H200.HY16	16	200	49	10	155	38	50
HSK63A.H90.HY18	18	90	49	10	46	40	50
HSK63A.H150.HY18	18	150	49	10	105	40	50
HSK63A.H200.HY18	18	200	49	10	155	40	50
HSK63A.H90.HY20	20	90	51	10	46	42	50
HSK63A.H150.HY20	20	150	51	10	105	42	50
HSK63A.H200.HY20	20	200	51	10	155	42	50
HSK63A.H120.HY25	25	120	57	10	46	49,5	55
HSK63A.H125.HY32	32	125	61	10	99	56	63

Profondità regolabile L2
Adjustable depth L2



KIT - MANDRINO, CHIAVE E PINZE

KIT - TOOLHOLDERS, WRENCH AND COLLETS

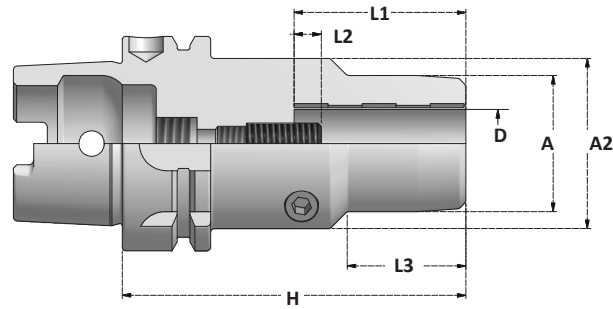
Articolo	Pinze Collets	Mandrino con chiave Toolholder with wrench
BX.HSK63A.HY20	6SR20.D6-D8-D10-D12-D16	HSK63A.H90.HY20
BX.HSK63A.HY32	6SR32.D6-D8-D10-D12-D16-D20-D25	HSK63A.H125.HY32

ALTRE LUNGHEZZE RICHIESTA
OTHER LENGTHS ON REQUEST

ACCESSORI - ACCESSORIES



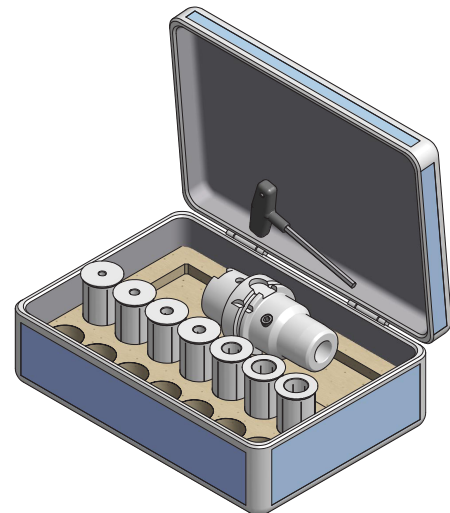
MANDRINI IDRAULICI HYDRAULIC CHUCKS



G2,5
25000 r.p.m.

Articolo	D	H	L1	L2	L3	A	A2
HSK100A.H75.HY6	6	75	37	10	26	26	50
HSK100A.H150.HY6	6	150	37	10	105	26	50
HSK100A.H200.HY6	6	200	37	10	155	26	50
HSK100A.H75.HY8	8	75	37	10	26	28	50
HSK100A.H150.HY8	8	150	37	10	105	28	50
HSK100A.H200.HY8	8	200	37	10	155	28	50
HSK100A.H90.HY10	10	90	41	10	35	30	50
HSK100A.H150.HY10	10	150	41	10	105	30	50
HSK100A.H200.HY10	10	200	41	10	155	30	50
HSK100A.H95.HY12	12	95	46	10	40	32	50
HSK100A.H150.HY12	12	150	46	10	105	32	50
HSK100A.H200.HY12	12	200	46	10	155	32	50
HSK100A.H95.HY14	14	95	46	10	40	34	50
HSK100A.H150.HY14	14	150	46	10	105	34	50
HSK100A.H200.HY14	14	200	46	10	155	34	50
HSK100A.H100.HY16	16	100	49	10	46	38	50
HSK100A.H150.HY16	16	150	49	10	105	38	50
HSK100A.H200.HY16	16	200	49	10	155	38	50
HSK100A.H100.HY18	18	100	49	10	46	40	50
HSK100A.H150.HY18	18	150	49	10	105	40	50
HSK100A.H200.HY18	18	200	49	10	155	40	50
HSK100A.H105.HY20	20	105	51	10	46	42	50
HSK100A.H150.HY20	20	150	51	10	105	42	50
HSK100A.H200.HY20	20	200	51	10	155	42	50
HSK100A.H115.HY25	25	115	57	10	46	49,5	55
HSK100A.H120.HY32	32	120	61	10	99	56	63

Profondità regolabile L2
Adjustable depth L2

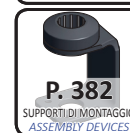


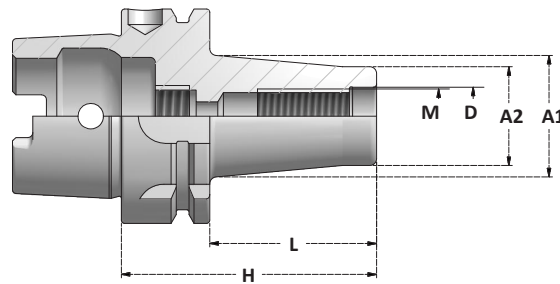
KIT - MANDRINO, CHIAVE E PINZE KIT - TOOLHOLDER, WRENCH AND COLLETS

Articolo	Pinze Collets	Mandrino con chiave Toolholder with wrench
BX.HSK100A.HY20	6SR20.D6-D8-D10-D12-D16	HSK100A.H105.HY20
BX.HSK100A.HY32	6SR32.D6-D8-D10-D12-D16-D20-D25	HSK100A.H120.HY32

ALTRE LUNGHEZZE RICHIESTA
OTHER LENGTHS ON REQUEST

ACCESSORI - ACCESSORIES



MANDRINI PER FRESE CON ATTACCO FILETTATO
SCREW IN MILL CHUCKS

G2,5

25000 r.p.m.

Articolo	M	D	H	L	A1	A2
HSK63A.H59.M8CPY	M8	8,5	59	33	15	13
HSK63A.H84.M8CPY	M8	8,5	84	58	23	13
HSK63A.H109.M8CPY	M8	8,5	109	83	23	13
HSK63A.H134.M8CPY	M8	8,5	134	108	25	13
HSK63A.H59.M10CPY	M10	10,5	59	33	20	18
HSK63A.H84.M10CPY	M10	10,5	84	58	25	18
HSK63A.H109.M10CPY	M10	10,5	109	83	28	18
HSK63A.H134.M10CPY	M10	10,5	134	108	28	18
HSK63A.H159.M10CPY	M10	10,5	159	133	34	18
HSK63A.H59.M12CPY	M12	12,5	59	33	24	21
HSK63A.H84.M12CPY	M12	12,5	84	58	24	21
HSK63A.H109.M12CPY	M12	12,5	109	83	31	21
HSK63A.H134.M12CPY	M12	12,5	134	108	31	21
HSK63A.H159.M12CPY	M12	12,5	159	133	38	21
HSK63A.H184.M12CPY	M12	12,5	184	158	42	21
HSK63A.H59.M16CPY	M16	17	59	33	34	29
HSK63A.H84.M16CPY	M16	17	84	58	34	29
HSK63A.H109.M16CPY	M16	17	109	83	34	29
HSK63A.H134.M16CPY	M16	17	134	108	39	29
HSK63A.H159.M16CPY	M16	17	159	133	39	29
HSK63A.H184.M16CPY	M16	17	184	158	39	29

G2,5

15000 r.p.m.

Articolo	M	D	H	L	A1	A2
HSK100A.H87.M12CPY	M12	12,5	87	58	32	21
HSK100A.H137.M12CPY	M12	12,5	137	108	32	21
HSK100A.H187.M12CPY	M12	12,5	187	158	36	21
HSK100A.H87.M16CPY	M16	17	87	58	36	29
HSK100A.H137.M16CPY	M16	17	137	108	40	29
HAK100A.H187.M16CPY	M16	17	187	158	42	29
HSK100A.H237.M16CPY	M16	17	237	208	48	29

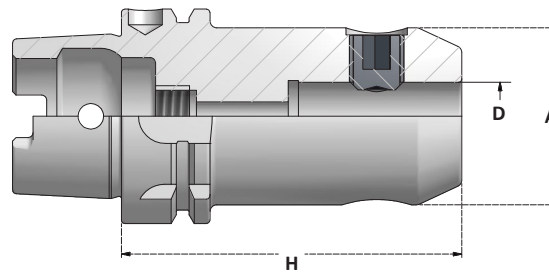
 Momento di serraggio consigliato
Recommended tightening torque

M8	25Nm
M10	40Nm
M12	60Nm
M16	80Nm

ACCESSORI - ACCESSORIES

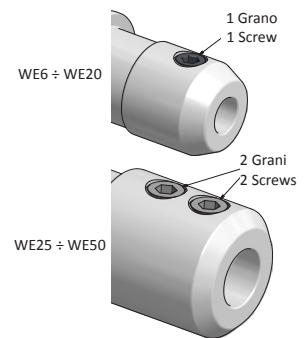

MANDRINI PORTAFRESA WELDON

END MILL HOLDERS WELDON



G6,3
15000 r.p.m.

Articolo	D	H	A	Grano Screw
HSK50A.H65.WE6	6	65	25	GR.WE6
HSK50A.H65.WE8	8	65	28	GR.WE8
HSK50A.H65.WE10	10	65	35	GR.WE10
HSK50A.H80.WE12	12	80	42	GR.WE12-14
HSK50A.H80.WE14	14	80	44	GR.WE12-14
HSK50A.H80.WE16	16	80	48	GR.WE16-18
HSK50A.H80.WE18	18	80	50	GR.WE16-18
HSK50A.H80.WE20	20	80	52	GR.WE20



G6,3
15000 r.p.m.

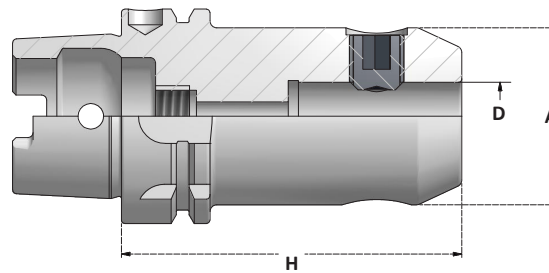
Articolo	D	H	A	Grano Screw
HSK63A.H65.WE6	6	65	25	GR.WE6
HSK63A.H100.WE6	6	100	25	GR.WE6
HSK63A.H130.WE6	6	130	25	GR.WE6
HSK63A.H160.WE6	6	160	25	GR.WE6
HSK63A.H65.WE8	8	65	28	GR.WE8
HSK63A.H100.WE8	8	100	28	GR.WE8
HSK63A.H130.WE8	8	130	28	GR.WE8
HSK63A.H160.WE8	8	160	28	GR.WE8
HSK63A.H65.WE10	10	65	35	GR.WE10
HSK63A.H100.WE10	10	100	35	GR.WE10
HSK63A.H130.WE10	10	130	35	GR.WE10
HSK63A.H160.WE10	10	160	35	GR.WE10
HSK63A.H80.WE12	12	80	42	GR.WE12-14
HSK63A.H100.WE12	12	100	42	GR.WE12-14
HSK63A.H130.WE12	12	130	42	GR.WE12-14
HSK63A.H160.WE12	12	160	42	GR.WE12-14
HSK63A.H80.WE14	14	80	44	GR.WE12-14
HSK63A.H100.WE14	14	100	44	GR.WE12-14
HSK63A.H130.WE14	14	130	44	GR.WE12-14
HSK63A.H160.WE14	14	160	44	GR.WE12-14
HSK63A.H80.WE16	16	80	48	GR.WE16-18
HSK63A.H100.WE16	16	100	48	GR.WE16-18
HSK63A.H130.WE16	16	130	48	GR.WE16-18
HSK63A.H160.WE16	16	160	48	GR.WE16-18

ACCESSORI - ACCESSORIES



MANDRINI PORTAFRESA WELDON

END MILL HOLDERS WELDON

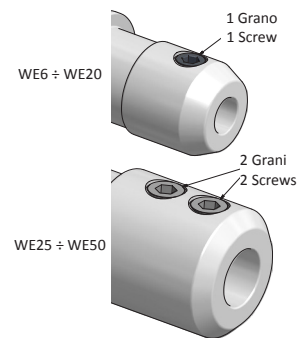


G6,3
15000 r.p.m.

Articolo	D	H	A	Grano Screw
HSK63A.H80.WE18	18	80	50	GR.WE16-18
HSK63A.H100.WE18	18	100	50	GR.WE16-18
HSK63A.H130.WE18	18	130	50	GR.WE16-18
HSK63A.H160.WE18	18	160	50	GR.WE16-18
HSK63A.H80.WE20	20	80	52	GR.WE20
HSK63A.H100.WE20	20	100	52	GR.WE20
HSK63A.H130.WE20	20	130	52	GR.WE20
HSK63A.H160.WE20	20	160	52	GR.WE20
HSK63A.H110.WE25	25	110	65	GR.WE25
HSK63A.H130.WE25	25	130	65	GR.WE25
HSK63A.H160.WE25	25	160	65	GR.WE25
HSK63A.H110.WE32	32	110	72	GR.WE32-40
HSK63A.H130.WE32	32	130	72	GR.WE32-40
HSK63A.H160.WE32	32	160	72	GR.WE32-40
HSK63A.H125.WE40	40	125	80	GR.WE32-40

G6,3
15000 r.p.m.

Articolo	D	H	A	Grano Screw
HSK100A.H80.WE6	6	80	25	GR.WE6
HSK100A.H130.WE6	6	130	25	GR.WE6
HSK100A.H160.WE6	6	160	25	GR.WE6
HSK100A.H200.WE6	6	200	25	GR.WE6
HSK100A.H80.WE8	8	80	28	GR.WE8
HSK100A.H130.WE8	8	130	28	GR.WE8
HSK100A.H160.WE8	8	160	28	GR.WE8
HSK100A.H200.WE8	8	200	28	GR.WE8
HSK100A.H80.WE10	10	80	35	GR.WE10
HSK100A.H130.WE10	10	130	35	GR.WE10
HSK100A.H160.WE10	10	160	35	GR.WE10
HSK100A.H200.WE10	10	200	35	GR.WE10
HSK100A.H80.WE12	12	80	42	GR.WE12-14
HSK100A.H130.WE12	12	130	42	GR.WE12-14
HSK100A.H160.WE12	12	160	42	GR.WE12-14
HSK100A.H200.WE12	12	200	42	GR.WE12-14
HSK100A.H80.WE14	14	80	44	GR.WE12-14
HSK100A.H130.WE14	14	130	44	GR.WE12-14
HSK100A.H160.WE14	14	160	44	GR.WE12-14
HSK100A.H200.WE14	14	200	44	GR.WE12-14

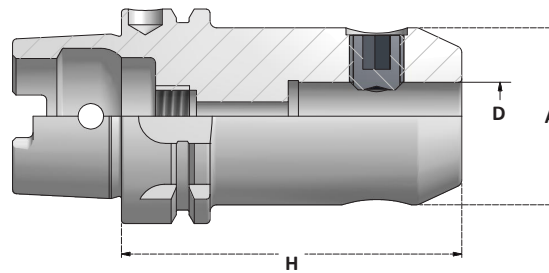


ACCESSORI - ACCESSORIES



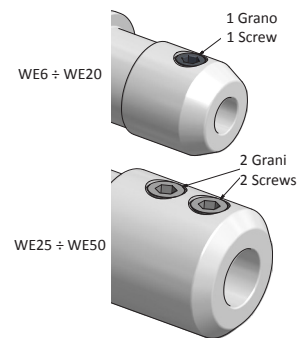
MANDRINI PORTAFRESA WELDON

END MILL HOLDERS WELDON



G6,3
15000 r.p.m.

Articolo	D	H	A	Grano Screw
HSK100A.H100.WE16	16	100	48	GR.WE16-18
HSK100A.H130.WE16	16	130	48	GR.WE16-18
HSK100A.H160.WE16	16	160	48	GR.WE16-18
HSK100A.H200.WE16	16	200	48	GR.WE16-18
HSK100A.H100.WE18	18	100	50	GR.WE16-18
HSK100A.H130.WE18	18	130	50	GR.WE16-18
HSK100A.H160.WE18	18	160	50	GR.WE16-18
HSK100A.H200.WE18	18	200	50	GR.WE16-18
HSK100A.H100.WE20	20	100	52	GR.WE20
HSK100A.H130.WE20	20	130	52	GR.WE20
HSK100A.H160.WE20	20	160	52	GR.WE20
HSK100A.H200.WE20	20	200	52	GR.WE20
HSK100A.H100.WE25	25	100	65	GR.WE25
HSK100A.H130.WE25	25	130	65	GR.WE25
HSK100A.H160.WE25	25	160	65	GR.WE25
HSK100A.H200.WE25	25	200	65	GR.WE25
HSK100A.H100.WE32	32	100	72	GR.WE32-40
HSK100A.H130.WE32	32	130	72	GR.WE32-40
HSK100A.H160.WE32	32	160	72	GR.WE32-40
HSK100A.H200.WE32	32	200	72	GR.WE32-40
HSK100A.H120.WE40	40	120	80	GR.WE32-40
HSK100A.H160.WE40	40	160	80	GR.WE32-40
HSK100A.H200.WE40	40	200	80	GR.WE32-40
HSK100A.H130.WE50	50	130	100	GR.WE50



MANDRINI PORTAFRESA WELDON PER ALTE VELOCITA'

END MILL HOLDERS WELDON FOR HIGH SPEEDS

G2,5
25000 r.p.m.

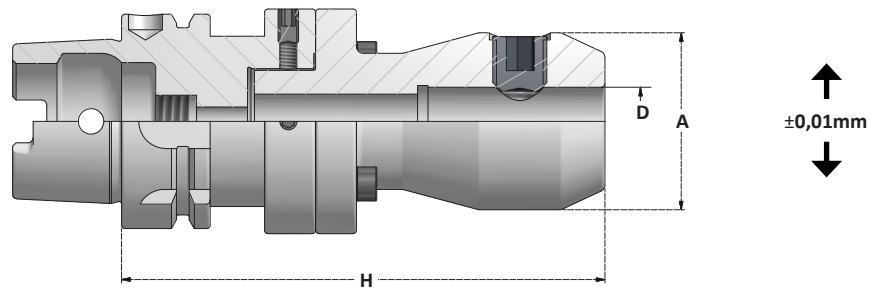
Articolo	D	H	A	Grano Screw
HSK63A.H65.WE6E	6	65	25	GR.WE6
HSK63A.H65.WE8E	8	65	28	GR.WE8
HSK63A.H65.WE10E	10	65	35	GR.WE10
HSK63A.H80.WE12E	12	80	42	GR.WE12-14
HSK63A.H80.WE14E	14	80	44	GR.WE12-14
HSK63A.H80.WE16E	16	80	48	GR.WE16-18
HSK63A.H80.WE18E	18	80	50	GR.WE16-18
HSK63A.H80.WE20E	20	80	52	GR.WE20
HSK63A.H110.WE25E	25	110	65	GR.WE25
HSK63A.H110.WE32E	32	110	72	GR.WE32-40

ALTRI A RICHIESTA
OTHERS ON REQUEST

ACCESSORI - ACCESSORIES



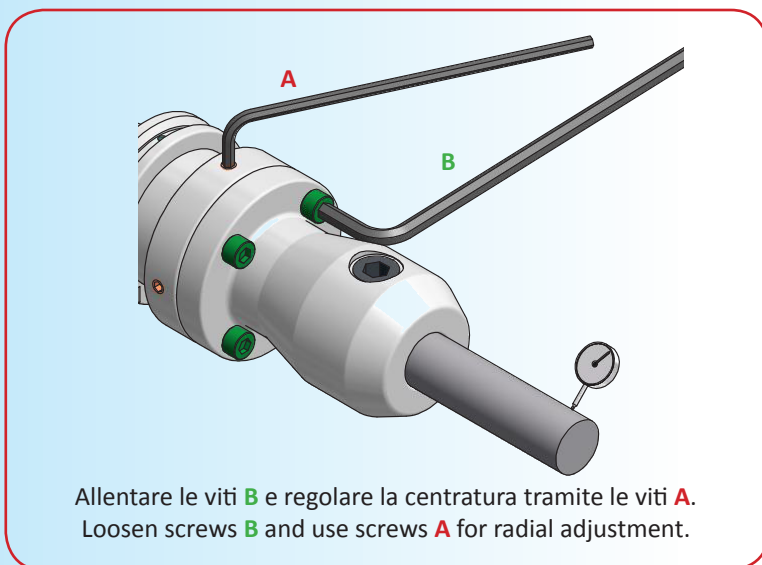
MANDRINI PORTAFRESA WELDON A CENTRATURA REGOLABILE
RUNOUT ADJUSTABLE END MILL HOLDERS WELDON



Articolo	D	H	A	Grano Screw
HSK63A.H107.WE6RG	6	107	25	GR.WE6
HSK63A.H107.WE8RG	8	107	28	GR.WE8
HSK63A.H107.WE10RG	10	107	35	GR.WE10
HSK63A.H117.WE12RG	12	117	42	GR.WE12-14
HSK63A.H117.WE14RG	14	117	44	GR.WE12-14
HSK63A.H137.WE16RG	16	137	48	GR.WE16-18
HSK63A.H137.WE18RG	18	137	50	GR.WE16-18
HSK63A.H142.WE20RG	20	142	52	GR.WE20

Centratura regolabile 0,01mm
Adjustable runout 0,01mm

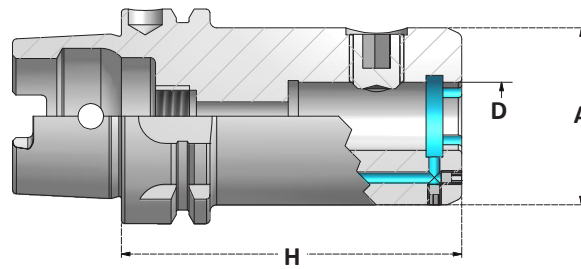
Articolo	D	H	A	Grano Screw
HSK100A.H110.WE6RG	6	110	25	GR.WE6
HSK100A.H110.WE8RG	8	110	28	GR.WE8
HSK100A.H110.WE10RG	10	110	35	GR.WE10
HSK100A.H120.WE12RG	12	120	42	GR.WE12-14
HSK100A.H120.WE14RG	14	120	44	GR.WE12-14
HSK100A.H140.WE16RG	16	140	48	GR.WE16-18
HSK100A.H140.WE18RG	18	140	50	GR.WE16-18
HSK100A.H145.WE20RG	20	145	52	GR.WE20



ACCESSORI - ACCESSORIES



MANDRINI PORTAFRESA WELDON CON CANALI DI LUBRIFICAZIONE
END MILL HOLDERS WELDON WITH COOLANT CHANNELS

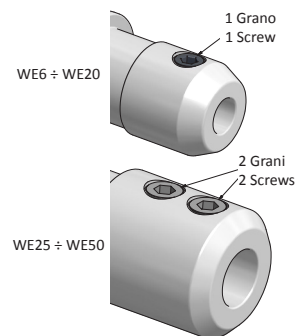
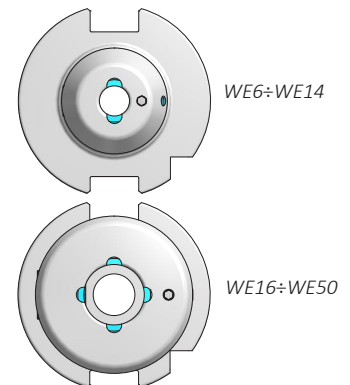


G6,3
15000 r.p.m.

Articolo	D	H	A	Grano Screw
HSK63A.H75.WE6C	6	75	27	GR.WE6
HSK63A.H75.WE8C	8	75	28	GR.WE8
HSK63A.H75.WE10C	10	75	35	GR.WE10
HSK63A.H80.WE12C	12	80	42	GR.WE12-14
HSK63A.H80.WE14C	14	80	44	GR.WE12-14
HSK63A.H80.WE16C	16	80	48	GR.WE16-18
HSK63A.H80.WE18C	18	80	50	GR.WE16-18
HSK63A.H80.WE20C	20	80	52	GR.WE20
HSK63A.H110.WE25C	25	110	65	GR.WE25
HSK63A.H110.WE32C	32	110	72	GR.WE32-40
HSK63A.H120.WE40C	40	120	90	GR.WE32-40

G6,3
15000 r.p.m.

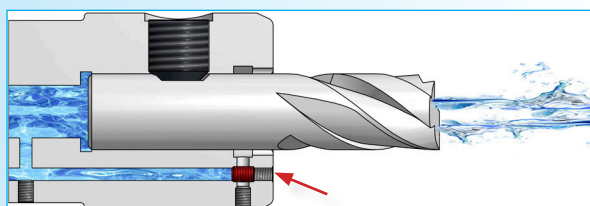
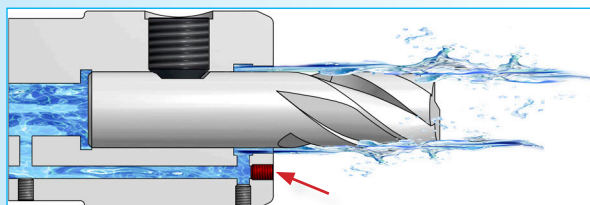
Articolo	D	H	A	Grano Screw
HSK100A.H75.WE6C	6	75	27	GR.WE6
HSK100A.H75.WE8C	8	75	28	GR.WE8
HSK100A.H80.WE10C	10	80	35	GR.WE10
HSK100A.H90.WE12C	12	90	42	GR.WE12-14
HSK100A.H90.WE14C	14	90	44	GR.WE12-14
HSK100A.H100.WE16C	16	100	48	GR.WE16-18
HSK100A.H100.WE18C	18	100	50	GR.WE16-18
HSK100A.H100.WE20C	20	100	52	GR.WE20
HSK100A.H100.WE25C	25	100	65	GR.WE25
HSK100A.H100.WE32C	32	100	72	GR.WE32-40
HSK100A.H120.WE40C	40	120	90	GR.WE32-40



Regolando il grano si può scegliere se indirizzare il liquido refrigerante ai fori del mandrino o attraverso l'utensile.

Lock screw for coolant through tool.

Unlock screw for coolant through toolholder.

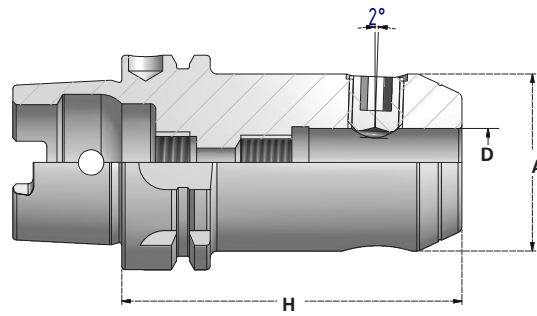


ACCESSORI - ACCESSORIES



MANDRINI PORTAFRESA WHISTLE NOTCH

END MILL HOLDERS WHISTLE NOTCH

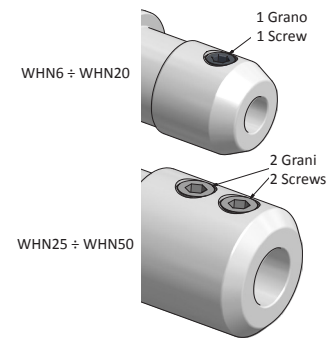


G6,3
15000 r.p.m.

Articolo	D	H	A	Grano Screw
HSK63A.H80.WHN6	6	80	25	GR.WE6
HSK63A.H80.WHN8	8	80	28	GR.WE8
HSK63A.H80.WHN10	10	80	35	GR.WE10
HSK63A.H90.WHN12	12	90	42	GR.WE12-14
HSK63A.H90.WHN14	14	90	44	GR.WE12-14
HSK63A.H100.WHN16	16	100	48	GR.WE16-18
HSK63A.H100.WHN18	18	100	50	GR.WE16-18
HSK63A.H100.WHN20	20	100	52	GR.WE20
HSK63A.H110.WHN25	25	110	65	GR.WE25
HSK63A.H110.WHN32	32	110	72	GR.WE32-40

G6,3
15000 r.p.m.

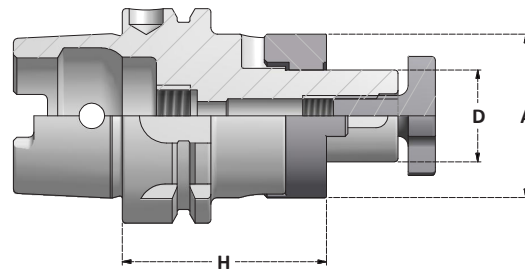
Articolo	D	H	A	Grano Screw
HSK100A.H90.WHN6	6	90	25	GR.WE6
HSK100A.H90.WHN8	8	90	28	GR.WE8
HSK100A.H90.WHN10	10	90	35	GR.WE10
HSK100A.H100.WHN12	12	100	42	GR.WE12-14
HSK100A.H100.WHN14	14	100	44	GR.WE12-14
HSK100A.H100.WHN16	16	100	48	GR.WE16-18
HSK100A.H100.WHN18	18	100	50	GR.WE16-18
HSK100A.H110.WHN20	20	110	52	GR.WE20
HSK100A.H120.WHN25	25	120	65	GR.WE25
HSK100A.H120.WHN32	32	120	72	GR.WE32-40
HSK100A.H120.WHN40	40	120	80	GR.WE32-40



ACCESSORI - ACCESSORIES



MANDRINI PORTAFRESA COMBINATI
COMBI SHELL MILL HOLDERS



G6,3
15000 r.p.m.

Articolo	D	H	A	ATR	VTC	CHV
HSK50A.H50.D16C	16	50	32	ATR.D16	VTC.D16	CHV.D16
HSK50A.H50.D22C	22	50	40	ATR.D22	VTC.D22	CHV.D22
HSK50A.H65.D27C	27	65	48	ATR.D27	VTC.D27	CHV.D27
HSK50A.H65.D32C	32	65	58	ATR.D32	VTC.D32	CHV.D32

G6,3
15000 r.p.m.

Articolo	D	H	A	ATR	VTC	CHV
HSK63A.H60.D16C	16	60	32	ATR.D16	VTC.D16	CHV.D16
HSK63A.H100.D16C	16	100	32	ATR.D16	VTC.D16	CHV.D16
HSK63A.H160.D16C	16	160	32	ATR.D16	VTC.D16	CHV.D16
HSK63A.H60.D22C	22	60	40	ATR.D22	VTC.D22	CHV.D22
HSK63A.H100.D22C	22	100	40	ATR.D22	VTC.D22	CHV.D22
HSK63A.H160.D22C	22	160	40	ATR.D22	VTC.D22	CHV.D22
HSK63A.H60.D27C	27	60	48	ATR.D27	VTC.D27	CHV.D27
HSK63A.H100.D27C	27	100	48	ATR.D27	VTC.D27	CHV.D27
HSK63A.H160.D27C	27	160	48	ATR.D27	VTC.D27	CHV.D27
HSK63A.H60.D32C	32	60	58	ATR.D32	VTC.D32	CHV.D32
HSK63A.H100.D32C	32	100	58	ATR.D32	VTC.D32	CHV.D32
HSK63A.H160.D32C	32	160	58	ATR.D32	VTC.D32	CHV.D32
HSK63A.H70.D40C	40	70	70	ATR.D40	VTC.D40	CHV.D40
HSK63A.H100.D40C	40	100	70	ATR.D40	VTC.D40	CHV.D40
HSK63A.H160.D40C	40	160	70	ATR.D40	VTC.D40	CHV.D40

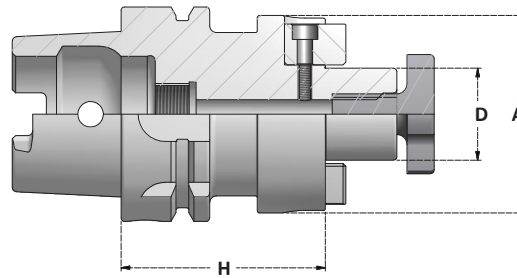
G6,3
15000 r.p.m.

Articolo	D	H	A	ATR	VTC	CHV
HSK100A.H60.D16C	16	60	32	ATR.D16	VTC.D16	CHV.D16
HSK100A.H100.D16C	16	100	32	ATR.D16	VTC.D16	CHV.D16
HSK100A.H160.D16C	16	160	32	ATR.D16	VTC.D16	CHV.D16
HSK100A.H60.D22C	22	60	40	ATR.D22	VTC.D22	CHV.D22
HSK100A.H100.D22C	22	100	40	ATR.D22	VTC.D22	CHV.D22
HSK100A.H160.D22C	22	160	40	ATR.D22	VTC.D22	CHV.D22
HSK100A.H60.D27C	27	60	48	ATR.D27	VTC.D27	CHV.D27
HSK100A.H100.D27C	27	100	48	ATR.D27	VTC.D27	CHV.D27
HSK100A.H160.D27C	27	160	48	ATR.D27	VTC.D27	CHV.D27
HSK100A.H60.D32C	32	60	58	ATR.D32	VTC.D32	CHV.D32
HSK100A.H100.D32C	32	100	58	ATR.D32	VTC.D32	CHV.D32
HSK100A.H160.D32C	32	160	58	ATR.D32	VTC.D32	CHV.D32
HSK100A.H70.D40C	40	70	70	ATR.D40	VTC.D40	CHV.D40
HSK100A.H100.D40C	40	100	70	ATR.D40	VTC.D40	CHV.D40
HSK100A.H160.D40C	40	160	70	ATR.D40	VTC.D40	CHV.D40

ACCESSORI - ACCESSORIES



MANDRINI PORTAFRESA FISSI
SHELL MILL HOLDERS

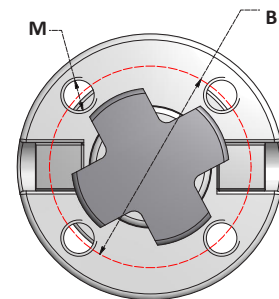


G6,3
15000 r.p.m.

Articolo	D	H	A	TTR	VTC
HSK50A.H50.D16S	16	50	38	TTR.D16	VTC.D16
HSK50A.H60.D22S	22	60	48	TTR.D22	VTC.D22
HSK50A.H60.D27S	27	60	58	TTR.D27	VTC.D27
HSK50A.H60.D32S	32	60	78	TTR.D32	VTC.D32

G6,3
15000 r.p.m.

Articolo	D	H	A	TTR	VTC
HSK63A.H50.D16S	16	50	38	TTR.D16	VTC.D16
HSK63A.H100.D16S	16	100	38	TTR.D16	VTC.D16
HSK63A.H130.D16S	16	130	38	TTR.D16	VTC.D16
HSK63A.H160.D16S	16	160	38	TTR.D16	VTC.D16
HSK63A.H50.D22S	22	50	48	TTR.D22	VTC.D22
HSK63A.H100.D22S	22	100	48	TTR.D22	VTC.D22
HSK63A.H130.D22S	22	130	48	TTR.D22	VTC.D22
HSK63A.H160.D22S	22	160	48	TTR.D22	VTC.D22
HSK63A.H60.D27S	27	60	58	TTR.D27	VTC.D27
HSK63A.H100.D27S	27	100	58	TTR.D27	VTC.D27
HSK63A.H130.D27S	27	130	58	TTR.D27	VTC.D27
HSK63A.H160.D27S	27	160	58	TTR.D27	VTC.D27
HSK63A.H60.D32S	32	60	78	TTR.D32	VTC.D32
HSK63A.H100.D32S	32	100	78	TTR.D32	VTC.D32
HSK63A.H130.D32S	32	130	78	TTR.D32	VTC.D32
HSK63A.H160.D32S	32	160	78	TTR.D32	VTC.D32
HSK63A.H60.D40S	40	60	88	TTR.D40	VTC.D40
HSK63A.H100.D40S	40	100	88	TTR.D40	VTC.D40
HSK63A.H130.D40S	40	130	88	TTR.D40	VTC.D40
HSK63A.H160.D40S	40	160	88	TTR.D40	VTC.D40



MANDRINI PER FRESE A SPIANARE CON 4 FORI
FACE MILL HOLDERS WITH 4 HOLES

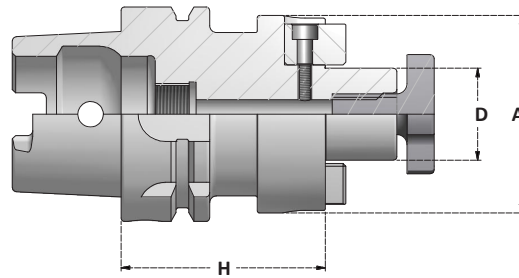
G6,3
15000 r.p.m.

Articolo	D	H	A	B	M	TTR	VTC
HSK63A.H60.D40FM	40	60	88	66,7	M12	TTR.D40	VTC.D40

ACCESSORI - ACCESSORIES



MANDRINI PORTAFRESA FISSI
SHELL MILL HOLDERS



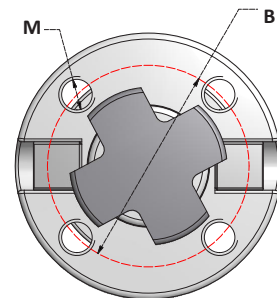
G6,3
15000.p.p.m.

Articolo	D	H	A	TTR	VTC
HSK100A.H50.D16S	16	50	38	TTR.D16	VTC.D16
HSK100A.H100.D16S	16	100	38	TTR.D16	VTC.D16
HSK100A.H130.D16S	16	130	38	TTR.D16	VTC.D16
HSK100A.H160.D16S	16	160	38	TTR.D16	VTC.D16
HSK100A.H50.D22S	22	50	48	TTR.D22	VTC.D22
HSK100A.H100.D22S	22	100	48	TTR.D22	VTC.D22
HSK100A.H130.D22S	22	130	48	TTR.D22	VTC.D22
HSK100A.H160.D22S	22	160	48	TTR.D22	VTC.D22
HSK100A.H50.D27S	27	50	58	TTR.D27	VTC.D27
HSK100A.H100.D27S	27	100	58	TTR.D27	VTC.D27
HSK100A.H130.D27S	27	130	58	TTR.D27	VTC.D27
HSK100A.H160.D27S	27	160	58	TTR.D27	VTC.D27
HSK100A.H50.D32S	32	50	78	TTR.D32	VTC.D32
HSK100A.H100.D32S	32	100	78	TTR.D32	VTC.D32
HSK100A.H130.D32S	32	130	78	TTR.D32	VTC.D32
HSK100A.H160.D32S	32	160	78	TTR.D32	VTC.D32
HSK100A.H60.D40S	40	60	88	TTR.D40	VTC.D40
HSK100A.H100.D40S	40	100	88	TTR.D40	VTC.D40
HSK100A.H130.D40S	40	130	88	TTR.D40	VTC.D40
HSK100A.H160.D40S	40	160	88	TTR.D40	VTC.D40

MANDRINI PER FRESE A SPIANARE CON 4 FORI
FACE MILL HOLDERS WITH 4 HOLES

G6,3
15000.p.p.m.

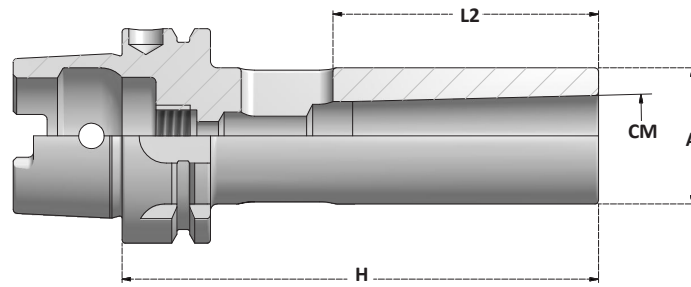
Articolo	D	H	A	B	M	TTR	VTC
HSK100A.H60.D40FM	40	60	88	66,7	M12	TTR.D40	VTC.D40
HSK100A.H70.D60FM	60	70	129	101,6	M16	TTR.D60	VTC.D60



ACCESSORI - ACCESSORIES



MANDRINI DI RIDUZIONE CONO MORSE PER PUNTE
MORSE TAPER ADAPTERS FOR DRILLS



G6,3
15000 r.p.m.

Articolo	CM	H	A	L2
HSK63A.H100.CM1P	CM1	100	25	56
HSK63A.H120.CM2P	CM2	120	32	67
HSK63A.H140.CM3P	CM3	140	40	84
HSK63A.H160.CM4P	CM4	160	48	107

G6,3
15000 r.p.m.

Articolo	CM	H	A	L2
HSK100A.H110.CM1P	CM1	110	25	56
HSK100A.H120.CM2P	CM2	120	32	67
HSK100A.H150.CM3P	CM3	150	40	84
HSK100A.H170.CM4P	CM4	170	48	107
HSK100A.H200.CM5P	CM5	200	63	135

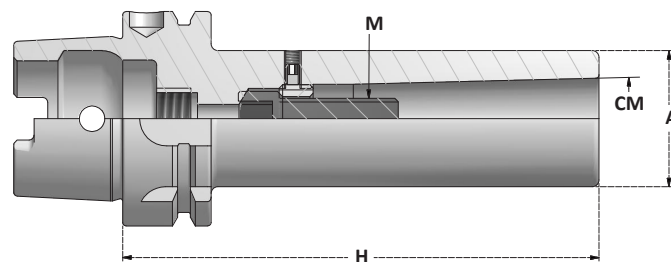
PER UTENSILI DIN228B CON TENONE

FOR TOOLS DIN228B WITH TANG

ACCESSORI - ACCESSORIES



MANDRINI DI RIDUZIONE CONO MORSE PER FRESE
MORSE TAPER ADAPTERS FOR THREADED MILLS



G6,3
15000 r.p.m.

Articolo	CM	H	A	M
HSK63A.H100.CM1FV	CM1	100	25	M6
HSK63A.H120.CM2FV	CM2	120	32	M10
HSK63A.H150.CM3FV	CM3	150	40	M12
HSK63A.H170.CM4FV	CM4	170	48	M16

G6,3
10000 r.p.m.

Articolo	CM	H	A	M
HSK100A.H120.CM1FV	CM1	120	25	M6
HSK100A.H120.CM2FV	CM2	120	32	M10
HSK100A.H150.CM3FV	CM3	150	40	M12
HSK100A.H170.CM4FV	CM4	170	48	M16
HSK100A.H200.CM5FV	CM5	200	63	M20

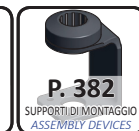
PER UTENSILI DIN228A CON FILETTO

FOR TOOLS DIN228A WITH THREAD

**FORNITI CON VITE SENZA FORO
PER IL PASSAGGIO DEL REFRIGERANTE**

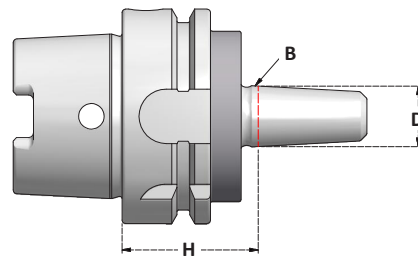
*SUPPLIED WITH SCREW
WITHOUT COOLANT THROUGH*

ACCESSORI - ACCESSORIES



ATTACCHI PER MANDRINI AUTOSERRANTI

DRILL CHUCKS ARBORS



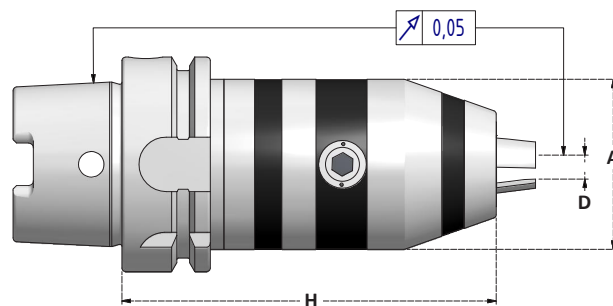
Articolo	B	D	H
HSK63A.H45.B12	B12	12,065	45
HSK63A.H45.B16	B16	15,733	45
HSK63A.H45.B18	B18	17,78	45

ACCESSORI - ACCESSORIES



**MANDRINI PORTAPUNTA AUTOSERRANTI CON PASSAGGIO DEL REFRIGERANTE
ROTAZIONE DESTRA E SINISTRA**

DRILL CHUCKS WITH COOLANT THROUGH - RIGHT AND LEFT ROTATION

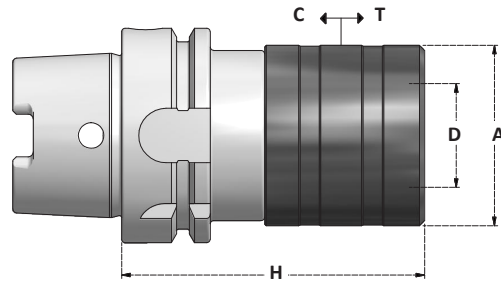


Articolo	D	H	A	Chiave Wrench
HSK63A.H90.HD8	0,5-8	90	36	CH.HD8
HSK63A.H110.HD13	1-13	110	50	CH.HD13-16
HSK63A.H115.HD16	2,5-13	115	50	CH.HD13-16

Articolo	D	H	A	Chiave Wrench
HSK100A.H110.HD13	1-13	110	50	CH.HD13-16
HSK100A.H115.HD16	2,5-13	115	50	CH.HD13-16

ACCESSORI - ACCESSORIES

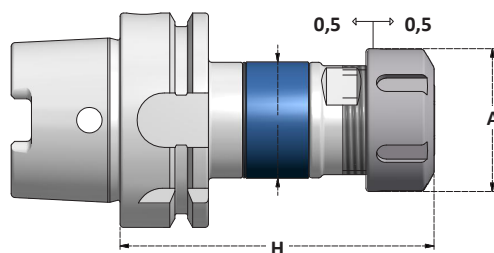


**MASCHIATORI A CAMBIO RAPIDO
CON COMPENSAZIONE ASSIALE A TRAZIONE E COMPRESIONE**
QUICK CHANGE TAPPING CHUCKS WITH AXIAL COMPENSATION


Articolo	Bussola Adapter	D	Tapping Range	A	H	T	C
HSK63A.MCR1TC	B1 / BF1	19	M3÷M12	36	81	7,5	7,5
HSK63A.MCR2TC	B2 / BF2	31	M6÷M20	53	119	12,5	12,5
HSK63A.MCR3TC	B3 / BF3	48	M14÷M33	78	176	20	20

Articolo	Bussola Adapter	D	Tapping Range	A	H	T	C
HSK100A.MCR1TC	B1 / BF1	19	M3÷M12	36	90	7,5	7,5
HSK100A.MCR2TC	B2 / BF2	31	M6÷M20	53	138	12,5	12,5
HSK100A.MCR3TC	B3 / BF3	48	M14÷M33	78	190	20	20
HSK100A.MCR4TC	B4 / BF4	60	M22÷M48	96	225	22,5	22,5

ACCESSORI - ACCESSORIES

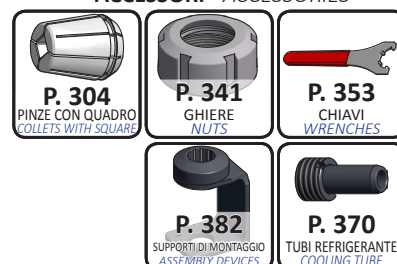

MANDRINI PER MASCHIATURA SINCRONIZZATA
TAPPING CHUCKS FOR SYNCHRONIZED TAPPING


Articolo	H	A	A2	Collets Range	Tapping Range	Ghiera Nut
HSK63A.ERC16MSY	89	22	34	3,5 ÷ 10	M3 ÷ M12	G16M

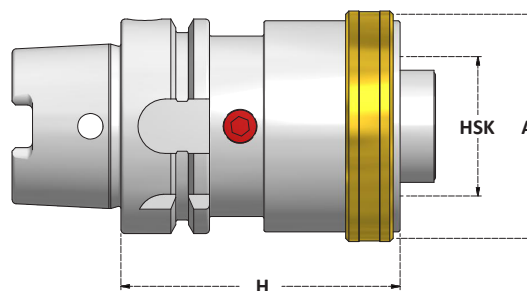
Articolo	H	A	A2	Collets Range	Tapping Range	Ghiera Nut
HSK63A.ERC16SY	89	32	34	3,5 ÷ 10	M3 ÷ M12	G16S
HSK63A.ERC20SY	90	35	34	3,5 ÷ 12	M3 ÷ M16	G20S
HSK63A.ERC25SY	94	42	45	3,5 ÷ 16	M3 ÷ M20	G25S
HSK63A.ERC32SY	105	50	45	3,5 ÷ 20	M3 ÷ M27	G32S
HSK63A.ERC40SY	133	63	62	6 ÷ 25	M5 ÷ M33	G40S

Articolo	H	A	A2	Collets Range	Tapping Range	Ghiera Nut
HSK100A.ERC16MSY	96	22	34	3,5 ÷ 10	M3 ÷ M12	G16M

Articolo	H	A	A2	Collets Range	Tapping Range	Ghiera Nut
HSK100A.ERC16SY	96	32	34	3,5 ÷ 10	M3 ÷ M12	G16S
HSK100A.ERC20SY	97	35	34	3,5 ÷ 12	M3 ÷ M16	G20S
HSK100A.ERC25SY	102	42	45	3,5 ÷ 16	M3 ÷ M20	G25S
HSK100A.ERC32SY	110	50	45	3,5 ÷ 20	M3 ÷ M27	G32S
HSK100A.ERC40SY	133	63	62	6 ÷ 25	M5 ÷ M33	G40S
HSK100A.ERC50SY	133	78	62	8 ÷ 32	M10-M42	G50S

ACCESSORI - ACCESSORIES


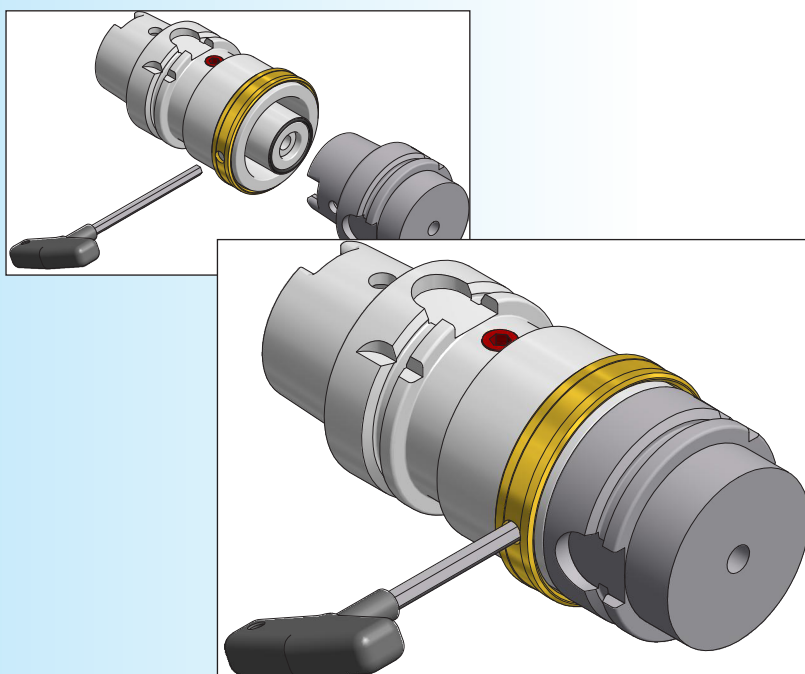
ADATTATORI HSK FORMA A/C
ADAPTERS HSK FORM A/C



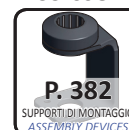
Articolo	H	A	HSK A/C
HSK63A.H80.HSK50AC	80	55	50
HSK63A.H100.HSK63AC	100	70	63
HSK63A.H160.HSK63AC	160	70	63

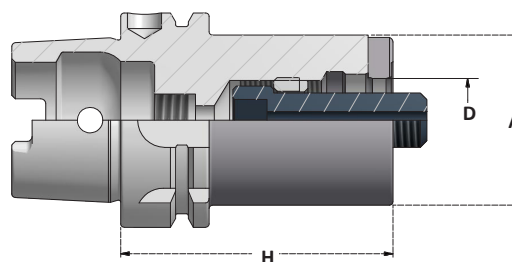
Articolo	H	A	HSK A/C
HSK100A.H70.HSK63AC	70	70	63
HSK100A.H90.HSK100AC	90	110	100
HSK100A.H160.HSK100AC	160	110	100

ALTRI A RICHIESTA
OTHERS ON REQUEST



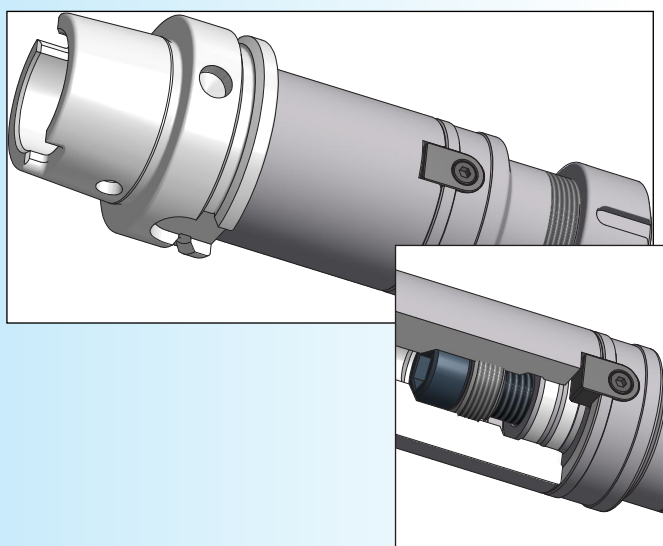
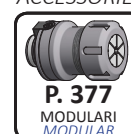
ACCESSORI - ACCESSORIES



MANDRINI MODULARI TIPO VARILOCK
MODULAR TOOLHOLDERS VARILOCK TYPE


Articolo	A	H	D	Attacco
HSK63A.H80.MD50	50	80	27,3 / 27	MD50
HSK63A.H90.MD63	63	90	32,3 / 32	MD63

Articolo	A	H	D	Attacco
HSK100A.H85.MD50	50	85	27,3 / 27	MD50
HSK100A.H95.MD63	63	95	32,3 / 32	MD63
HSK100A.H95.MD80	80	95	32,3 / 32	MD80


ACCESSORI - ACCESSORIES


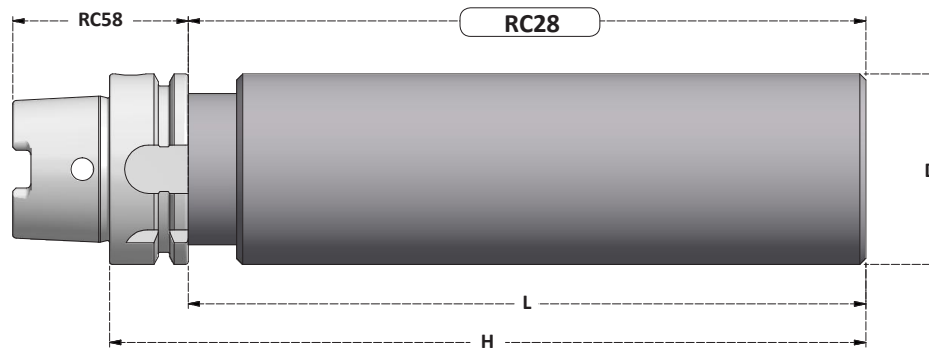
DIN 69893-1

HSK A

D BL

MANDRINI CON STELO LAVORABILE

BLANK ARBORS



Articolo	D	H	L
HSK63A.H150.D63BL	63	150	124
HSK63A.H250.D80BL	80	250	224

Articolo	D	H	L
HSK100A.H250.D97BL	97	250	221

DIN 69893-1

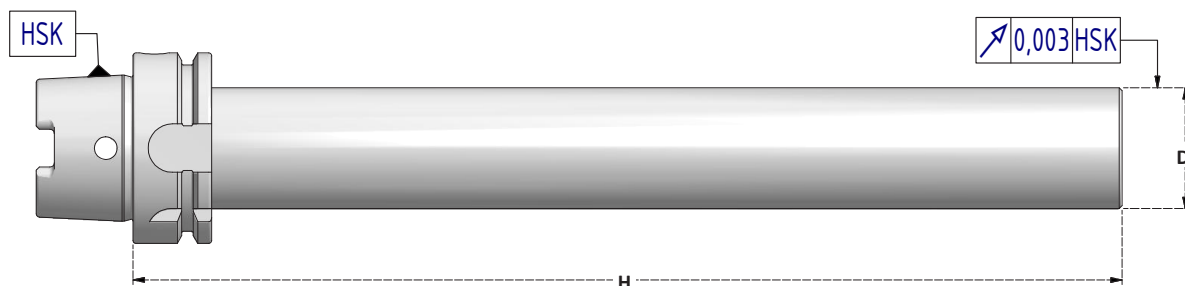
HSK A

CK

ISO-R230

MANDRINI DI COLLAUDO

TEST ARBORS

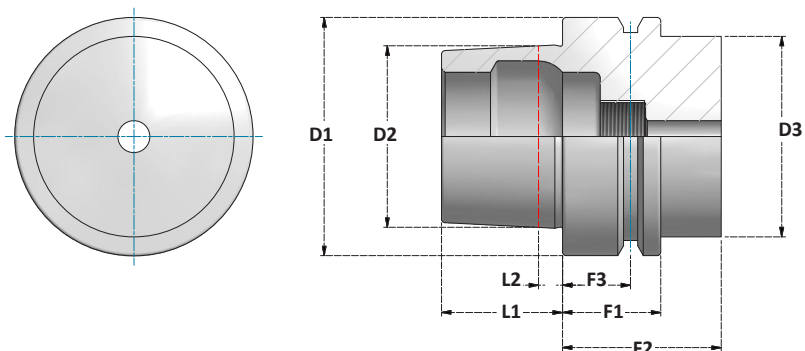


Articolo	D	H
HSK63A.H300.CK40	40	300
HSK100A.H300.CK50	50	300

**FORNITI CON BOX
E CERTIFICATO DI COLLAUDO**

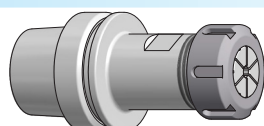
*SUPPLIED IN BOX
AND WITH TESTING REPORT*

MANDRINI HSK FORMA E
HSK FORM E TOOLHOLDERS



DIMENSIONI DELL'ATTACCO
SHANK DIMENSIONS

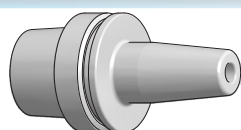
ATTACCO SHANK	D1	D2	D3	L1	L2	F1	F2	F3
	h10		max	0 -0,2		0 -0,1	min	±0,1
50	50	38,009	42	25	5	26	42	18
63	63	48,010	53	32	6,3	26	42	18



MANDRINI PORTAPINZA ER STANDARD
COLLET CHUCKS ER STANDARD

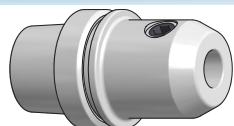
DIN ISO 15488 (DIN6499)

PAG. 36



MANDRINI A CALETTAMENTO A CALDO
SHRINK FIT CHUCKS

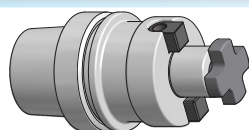
PAG. 37



MANDRINI PORTAFRESA WELDON
END MILL HOLDERS WELDON

DIN 1835-2

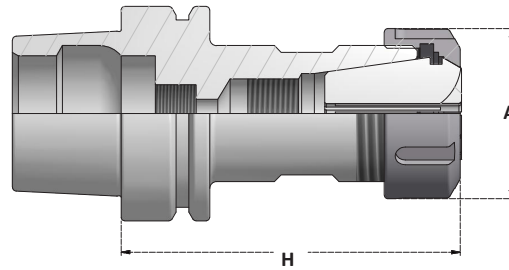
PAG. 38



MANDRINI PORTAFRESA FISSI
SHELL MILL HOLDERS

DIN 6357

PAG. 39

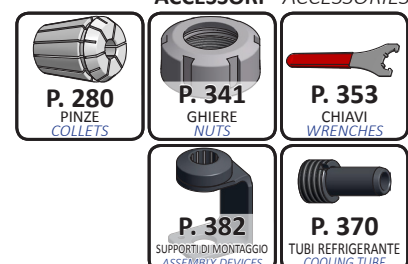
MANDRINI PORTAPINZA ER PER ROTAZIONE DESTRA
RIGHT ROTATION ER COLLET CHUCKS


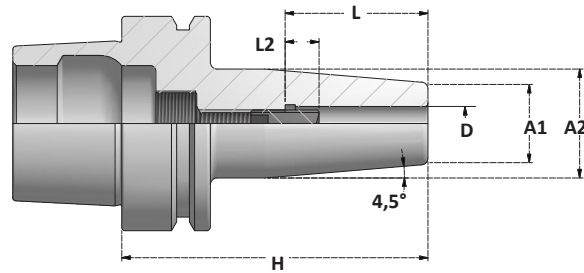
G6,3 24000 r.p.m.	Articolo	H	A	Range ERC	Ghiera Nut
	HSK50E.H100.ERC16	100	32	1÷10	G16WD
	HSK50E.H100.ERC20	100	35	1÷14	G20WD
	HSK50E.H100.ERC25	100	42	1÷20	G25WD
	HSK50E.H100.ERC32	100	50	2÷22	G32WD

MANDRINI PER ROTAZIONE SINISTRA A RICHIESTA
LEFT ROTATION COLLET CHUCKS ON REQUEST

G6,3 24000 r.p.m.	Articolo	H	A	Range ERC	Ghiera Nut
	HSK63E.H73.ERC32	73	50	2÷22	G32WD
	HSK63E.H78.ERC40	78	63	3÷30	G40WD

MANDRINI PER ROTAZIONE SINISTRA A RICHIESTA
LEFT ROTATION COLLET CHUCKS ON REQUEST


ACCESSORI - ACCESSORIES


MANDRINI A CALETTAMENTO A CALDO
SHRINK FIT CHUCKS

G2,5

25000.r.p.m.

Articolo	D	H	L	L2	A1	A2
HSK50E.H80.TM3	3	80	12	10	10	20
HSK50E.H80.TM4	4	80	16	10	15	25
HSK50E.H80.TM5	5	80	20	10	15	25
HSK50E.H80.TM6	6	80	36	10	21	27
HSK50E.H80.TM8	8	80	36	10	21	27
HSK50E.H85.TM10	10	85	41	10	24	32
HSK50E.H90.TM12	12	90	46	10	24	32
HSK50E.H90.TM14	14	90	46	10	27	34
HSK50E.H95.TM16	16	95	49	10	27	34
HSK50E.H95.TM18	18	95	49	10	33	42
HSK50E.H100.TM20	20	100	51	10	33	42

Profondità regolabile L2
Adjustable depth L2

Con 4 fori per la bilanciatura.
Grani non compresi.
With 4 holes for balancing.
Screws not supplied.
G2,5

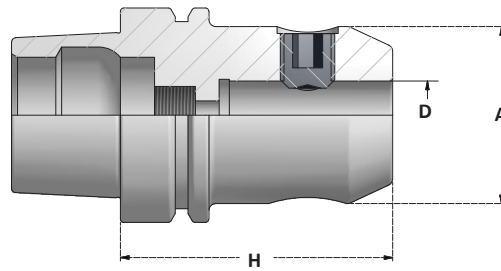
25000.r.p.m.

Articolo	D	H	L	L2	A1	A2
HSK63E.H80.TM3	3	80	12	10	10	20
HSK63E.H80.TM4	4	80	16	10	15	25
HSK63E.H80.TM5	5	80	20	10	15	25
HSK63E.H80.TM6	6	80	36	10	21	27
HSK63E.H80.TM8	8	80	36	10	21	27
HSK63E.H85.TM10	10	85	41	10	24	32
HSK63E.H90.TM12	12	90	46	10	24	32
HSK63E.H90.TM14	14	90	46	10	27	34
HSK63E.H95.TM16	16	95	49	10	27	34
HSK63E.H95.TM18	18	95	49	10	33	42
HSK63E.H100.TM20	20	100	51	10	33	42
HSK63E.H115.TM25	25	115	57	10	44	53
HSK63E.H120.TM32	32	120	61	10	44	53

ACCESSORI - ACCESSORIES


MANDRINI PORTAFRESA WELDON

END MILL HOLDERS WELDON

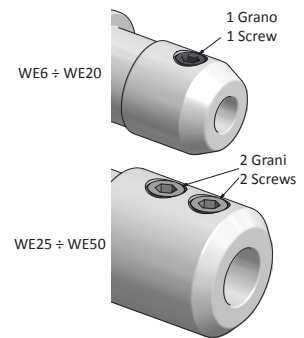


G6,3
24000 r.p.m.

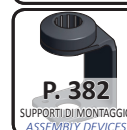
Articolo	D	H	A	Grano Screw
HSK50E.H65.WE6	6	65	25	GR.WE6
HSK50E.H65.WE8	8	65	28	GR.WE8
HSK50E.H65.WE10	10	65	35	GR.WE10
HSK50E.H80.WE12	12	80	42	GR.WE12-14
HSK50E.H80.WE14	14	80	44	GR.WE12-14
HSK50E.H80.WE16	16	80	48	GR.WE16-18
HSK50E.H80.WE18	18	80	50	GR.WE16-18
HSK50E.H80.WE20	20	80	52	GR.WE20

G6,3
24000 r.p.m.

Articolo	D	H	A	Grano Screw
HSK63E.H65.WE6	6	65	25	GR.WE6
HSK63E.H65.WE8	8	65	28	GR.WE8
HSK63E.H65.WE10	10	65	35	GR.WE10
HSK63E.H80.WE12	12	80	42	GR.WE12-14
HSK63E.H80.WE14	14	80	44	GR.WE12-14
HSK63E.H80.WE16	16	80	48	GR.WE16-18
HSK63E.H80.WE18	18	80	50	GR.WE16-18
HSK63E.H80.WE20	20	80	52	GR.WE20
HSK63E.H110.WE25	25	110	65	GR.WE25
HSK63E.H110.WE32	32	110	72	GR.WE32-40

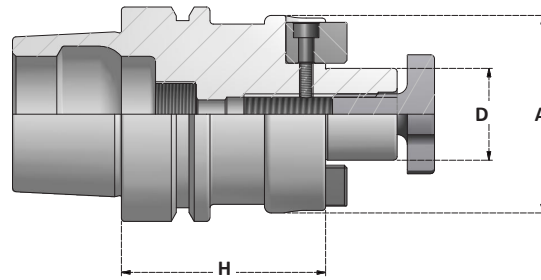


ACCESSORI - ACCESSORIES



MANDRINI PORTAFRESA FISSI

SHELL MILL HOLDERS



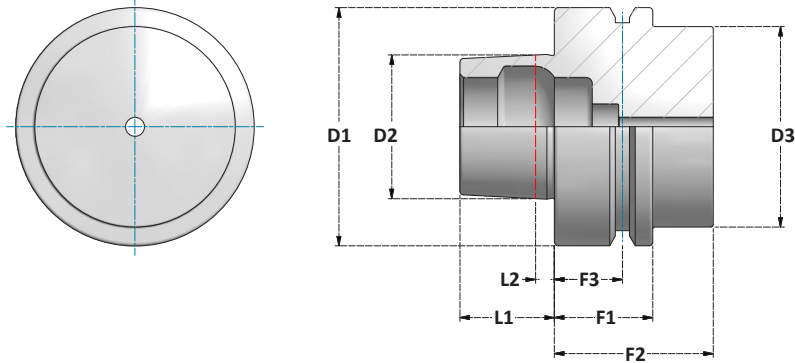
G6,3 24000 r.p.m.	Articolo	D	H	A	TTR	VTC
		HSK50E.H50.D16S	16	50	38	TTR.D16
	HSK50E.H60.D22S	22	60	48	TTR.D22	VTC.D22
	HSK50E.H60.D27S	27	60	58	TTR.D27	VTC.D27
	HSK50E.H60.D32S	32	60	78	TTR.D32	VTC.D32

G6,3 24000 r.p.m.	Articolo	D	H	A	TTR	VTC
		HSK63E.H50.D16S	16	50	38	TTR.D16
	HSK63E.H50.D22S	22	50	48	TTR.D22	VTC.D22
	HSK63E.H60.D27S	27	60	58	TTR.D27	VTC.D27
	HSK63E.H60.D32S	32	60	78	TTR.D32	VTC.D32
	HSK63E.H65.D40S	40	65	88	TTR.D40	VTC.D40

ACCESSORI - ACCESSORIES

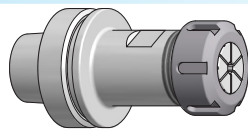


MANDRINI HSK FORMA F
HSK FORM F TOOLHOLDERS



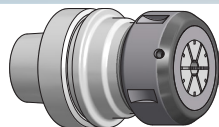
DIMENSIONI DELL'ATTACCO
SHANK DIMENSIONS

ATTACCO SHANK	D1	D2	D3	L1	L2	F1	F2	F3
	h10		max	0 -0,2		0 -0,1	min	±0,1
50	50	30,007	42	20	4	26	42	18
63	63	38,009	53	25	5	26	42	18



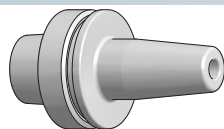
MANDRINI PORTAPINZA ER STANDARD
COLLET CHUCKS ER STANDARD
DIN ISO 15488 (DIN6499)

PAG. 41



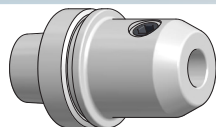
MANDRINI PORTAPINZA EOC
EOC COLLET CHUCKS
DIN ISO 10897 (DIN6388)

PAG. 41



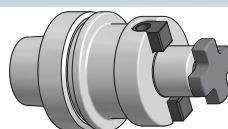
MANDRINI A CALETTAMENTO A CALDO
SHRINK FIT CHUCKS

PAG. 42



MANDRINI PORTAFRESA WELDON
END MILL HOLDERS WELDON
DIN 1835-2

PAG. 43



MANDRINI PORTAFRESA FISSI
SHELL MILL HOLDERS
DIN 6357

PAG. 43



MANDRINI DA TRAPANO
DRILL CHUCKS

PAG. 44

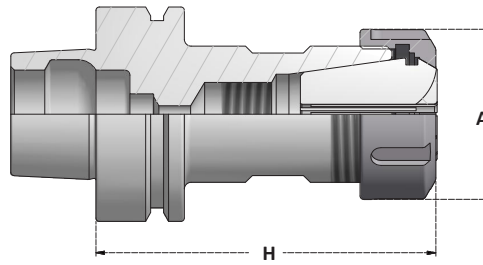


MANDRINI DI COLLAUDO
TEST ARBORS

PAG. 44

MANDRINI PORTAPINZA ER PER ROTAZIONE DESTRA

RIGHT ROTATION ER COLLET CHUCKS

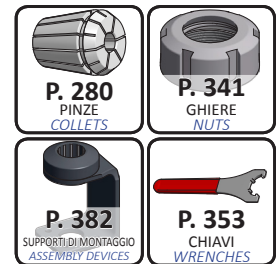


G6,3 24000 p.p.m.	Articolo	H	A	Range ERC	Ghiera Nut
	HSK63F.H70.ERC16	70	32	1+10	G16WD
HSK63F.H100.ERC16	100	32	1+10	G16WD	
HSK63F.H70.ERC20	70	35	1+14	G20WD	
HSK63F.H100.ERC20	100	35	1+14	G20WD	
HSK63F.H70.ERC25	70	42	1+20	G25WD	
HSK63F.H100.ERC25	100	42	1+20	G25WD	
HSK63F.H73.ERC32	73	50	2+22	G32WD	
HSK63F.H100.ERC32	100	50	2+22	G32WD	
HSK63F.H78.ERC40	78	63	3+30	G40WD	
HSK63F.H100.ERC40	100	63	3+30	G40WD	

MANDRINI PER ROTAZIONE SINISTRA A RICHIESTA
LEFT ROTATION COLLET CHUCKS ON REQUEST

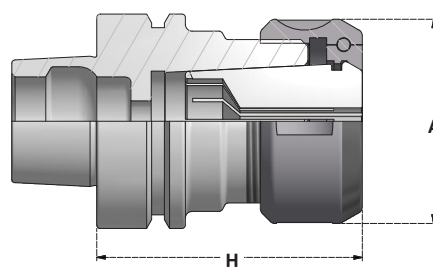


ACCESSORI - ACCESSORIES



MANDRINI PORTAPINZA EOC PER ROTAZIONE DESTRA

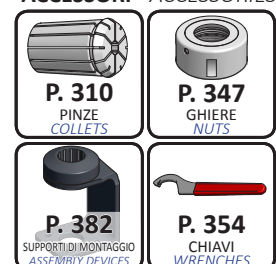
RIGHT ROTATION EOC COLLET CHUCKS

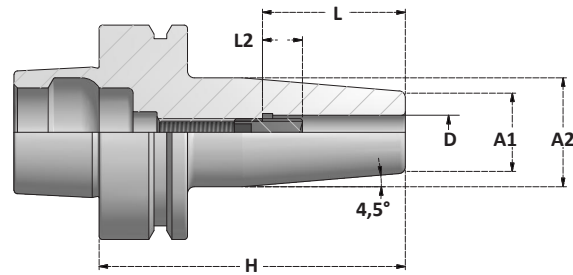


G6,3 24000 p.p.m.	Articolo	H	A	Range EOC	Ghiera Nut
	HSK63F.H78.EOC25	78	60	2+25	G25OCC

MANDRINI PER ROTAZIONE SINISTRA A RICHIESTA
LEFT ROTATION COLLET CHUCKS ON REQUEST

ACCESSORI - ACCESSORIES



MANDRINI A CALETTAMENTO A CALDO
SHRINK FIT CHUCKS

G2,5

25000 r.p.m.

Articolo	D	H	L	L2	A1	A2
HSK63F.H80.TM3	3	80	12	10	10	20
* HSK63F.H120.TM3	3	120	12	/	10	20
* HSK63F.H160.TM3	3	160	12	/	10	20
HSK63F.H80.TM4	4	80	16	10	15	25
* HSK63F.H120.TM4	4	120	16	/	15	25
* HSK63F.H160.TM4	4	160	16	/	15	25
HSK63F.H80.TM5	5	80	20	10	15	25
* HSK63F.H120.TM5	5	120	20	/	15	25
* HSK63F.H160.TM5	5	160	20	/	15	25
HSK63F.H80.TM6	6	80	36	10	21	27
HSK63F.H120.TM6	6	120	36	10	21	27
HSK63F.H160.TM6	6	160	36	10	21	27
HSK63F.H80.TM8	8	80	36	10	21	27
HSK63F.H120.TM8	8	120	36	10	21	27
HSK63F.H160.TM8	8	160	36	10	21	27
HSK63F.H85.TM10	10	85	41	10	24	32
HSK63F.H120.TM10	10	120	41	10	24	32
HSK63F.H160.TM10	10	160	41	10	24	32
HSK63F.H90.TM12	12	90	46	10	24	32
HSK63F.H120.TM12	12	120	46	10	24	32
HSK63F.H160.TM12	12	160	46	10	24	32
HSK63F.H90.TM14	14	90	46	10	24	32
HSK63F.H120.TM14	14	120	46	10	24	32
HSK63F.H160.TM14	14	160	46	10	24	32
HSK63F.H95.TM16	16	95	49	10	24	32
HSK63F.H120.TM16	16	120	49	10	24	32
HSK63F.H160.TM16	16	160	49	10	24	32
HSK63F.H95.TM18	18	95	49	10	33	42
HSK63F.H120.TM18	18	120	49	10	33	42
HSK63F.H160.TM18	18	160	49	10	33	42
HSK63F.H100.TM20	20	100	51	10	33	42
HSK63F.H160.TM20	20	160	51	10	33	42
HSK63F.H125.TM25	25	125	57	10	44	53
HSK63F.H125.TM32	32	125	61	10	44	53

* Senza vite di regolazione / Without adjusting screw

Profondità regolabile L2
Adjustable depth L2

Con 4 fori per la bilanciatura.
Grani non compresi.
With 4 holes for balancing.
Screws not supplied.
ACCESSORI - ACCESSORIES

P. 266
 PROLUNGHE
 EXTENSIONS

P. 382
 SUPPORTI DI MONTAGGIO
 ASSEMBLY DEVICES

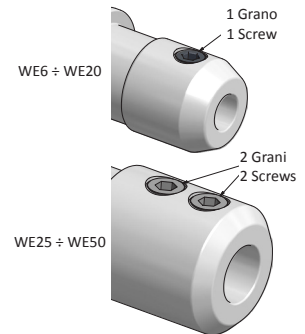
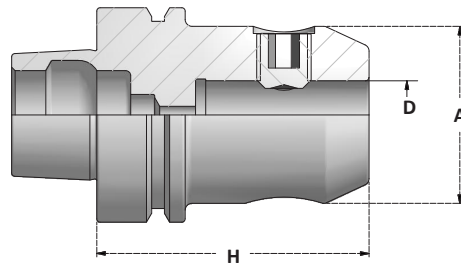
DIN 69893-6

HSK F

WE

MANDRINI PORTAFRESA WELDON

END MILL HOLDERS WELDON



G6,3
24000 r.p.m.

Articolo	D	H	A	Grano Screw
HSK63F.H65.WE6	6	65	25	GR.WE6
HSK63F.H65.WE8	8	65	28	GR.WE8
HSK63F.H65.WE10	10	65	35	GR.WE10
HSK63F.H80.WE12	12	80	42	GR.WE12-14
HSK63F.H80.WE14	14	80	44	GR.WE12-14
HSK63F.H80.WE16	16	80	48	GR.WE16-18
HSK63F.H80.WE18	18	80	50	GR.WE16-18
HSK63F.H80.WE20	20	80	52	GR.WE20
HSK63F.H110.WE25	25	110	65	GR.WE25
HSK63F.H110.WE32	32	110	72	GR.WE32-40

ACCESSORI - ACCESSORIES



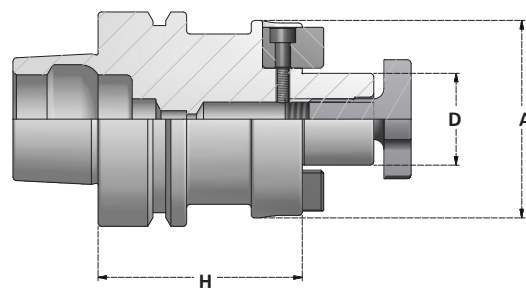
DIN 69893-6

HSK F

D S

MANDRINI PORTAFRESA FISSI

SHELL MILL HOLDERS



G6,3
24000 r.p.m.

Articolo	D	H	A	TTR	VTC
HSK63F.H50.D16S	16	50	38	TTR.D16	VTC.D16
HSK63F.H50.D22S	22	50	48	TTR.D22	VTC.D22
HSK63F.H60.D27S	27	60	58	TTR.D27	VTC.D27
HSK63F.H60.D32S	32	60	78	TTR.D32	VTC.D32
HSK63F.H60.D40S	40	60	88	TTR.D40	VTC.D40

ACCESSORI - ACCESSORIES

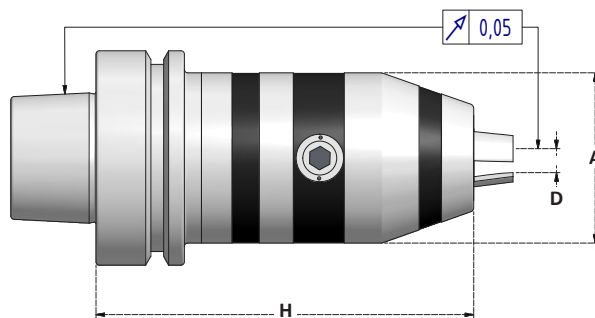


DIN 69893-6

HSK F

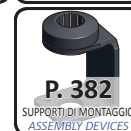
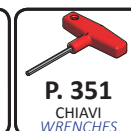
HD

MANDRINI PORTAPUNTA AUTOSERRANTI ROTAZIONE DESTRA E SINISTRA
DRILL CHUCKS - RIGHT AND LEFT ROTATION



Articolo	D	H	A	Chiave Wrench
HSK63F.H110.HD13	1÷13	110	50	CH.HD13-16
HSK63F.H115.HD16	2,5÷16	115	50	CH.HD13-16

ACCESSORI - ACCESSORIES



DIN 69893-6

HSK F

CK

ISO-R230

MANDRINI DI COLLAUDO
TEST ARBORS



Articolo	D	H
HSK63F.H250.CK40	40	250

**FORNITI CON BOX
E CERTIFICATO DI COLLAUDO**

*SUPPLIED IN BOX
AND WITH TESTING REPORT*